



# COMPOSITY

STRUCURE AND STEPS  
ASSEMBLING INSTRUCTION

**RINTAL**






# INDEX

## 1 STRUCTURE

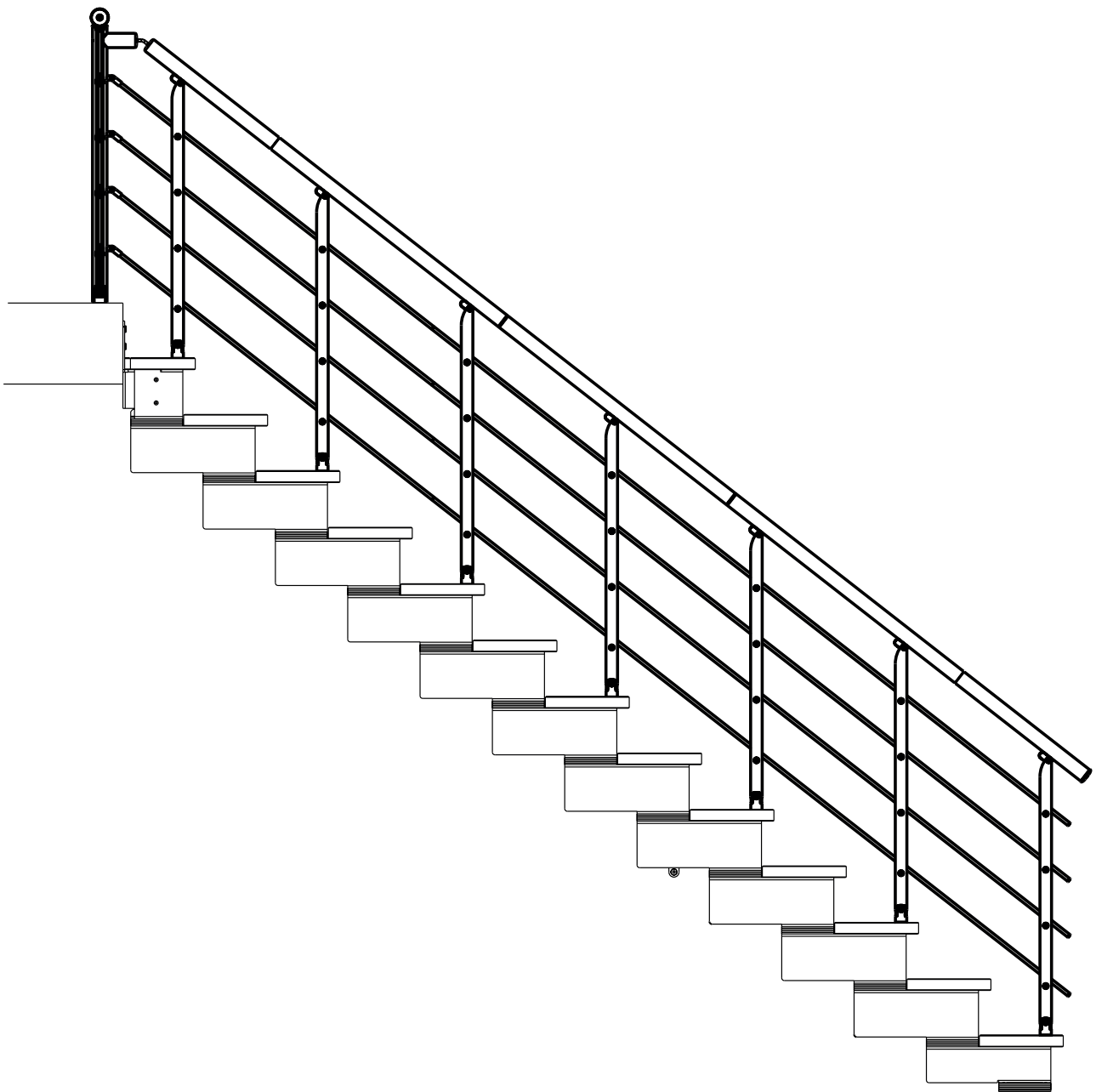
1.1 Check measure	11
2.1 Pre assembly	15
3.1 Assembly	31



	Composity structure and steps installation manual. <b>Configuration I - L</b>	Code	Rev. <b>1</b>	Date <b>29-07-2016</b>
---	---	------	------------------	---------------------------

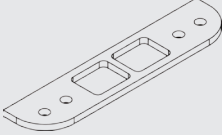
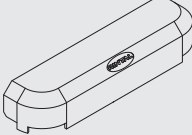
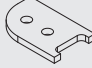




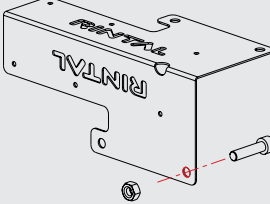
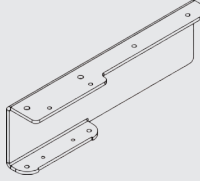
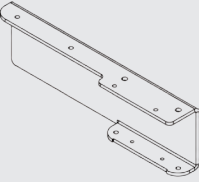
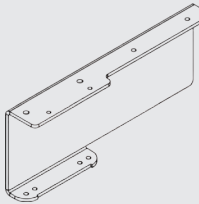
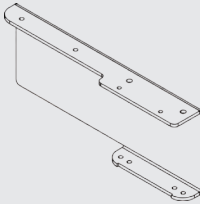
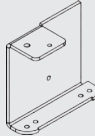
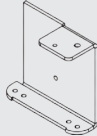
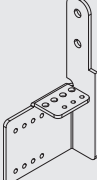
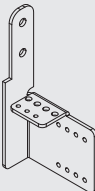
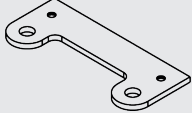
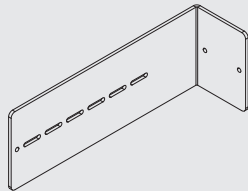


# STRUCTURE





# Components

Component	Code	Component	Code	Component	Code
	PC00		PC01		PC02
	PC03		PC04		TN01 14X70
	PL41		DM01		ST01
	ST02		ST03		ST04
	ST05		ST06		ST07
	ST08		ST32		ST31

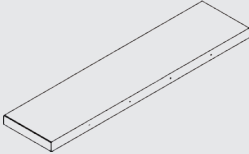
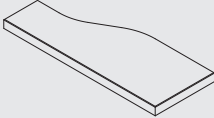
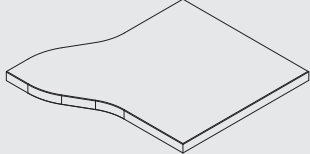
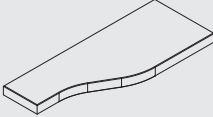
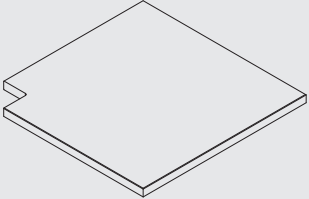
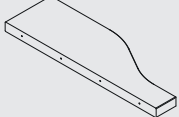
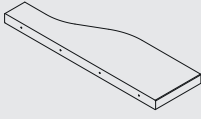
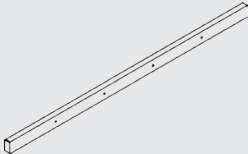
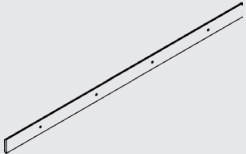


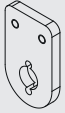




Component	Code	Component	Code	Component	Code
	ST30		ST33		ST34
	FX01		FX02		ST09
	ST10		ST11		ST12
	ST13		ST14		ST15
	ST16		ST17		ST18
	ST19		ST20		GR01







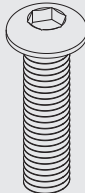
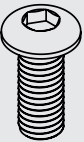
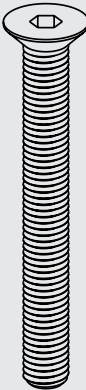
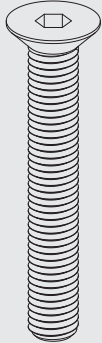
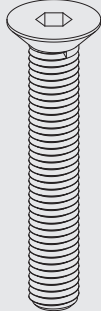




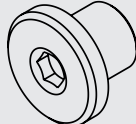





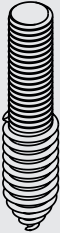
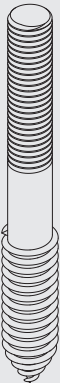


Component	Code	Component	Code	Component	Code
	GR02		GR03		GR04
	GR05		GR06		GR07
	GR08		LS01		LS02
	ST35		ST36		ST37



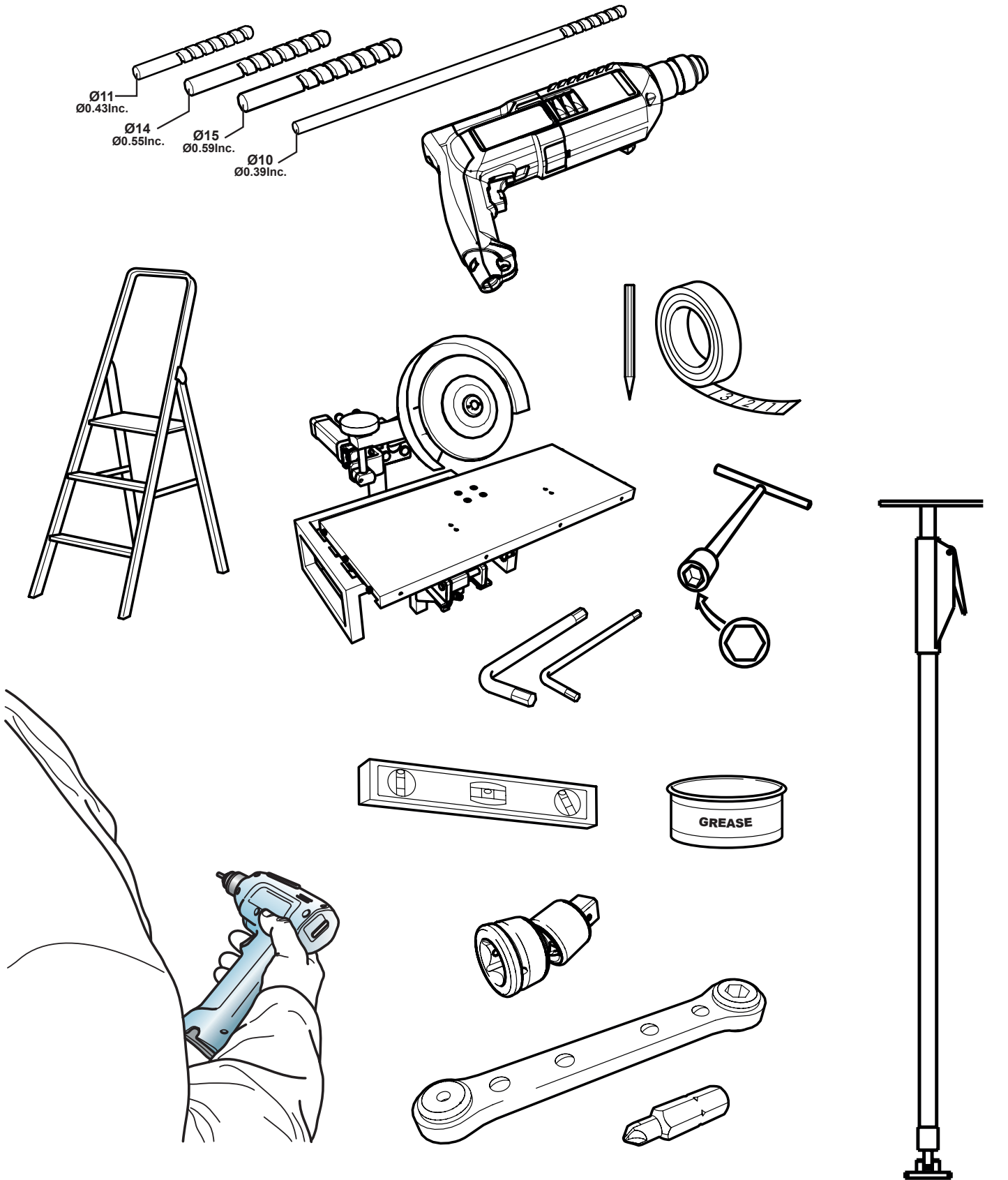


# Screws

Component	Code	Component	Code	Component	Code	Component	Code	Component	Code
	<b>BM01</b> M8X70		<b>BM02</b> M8X55		<b>BM03</b> M8X45		<b>BM04</b> M8X40		<b>BM16</b> M8X30
	<b>BM05</b> M8X20		<b>BM06</b> M8X70		<b>BM07</b> M8X55		<b>BM13</b> M8X50		<b>BM08</b> M8X40
	<b>BM09</b> M8X20		<b>BM30</b> M8		<b>BM32</b> M8		<b>BM33</b> M0x16		<b>BM34</b> 8x16x1.6
	<b>BM40</b> M5x6		<b>UN01</b> 4x18		<b>BL01</b> 6X40		<b>BL02</b> 6X60		<b>BL11</b> 10X60
	<b>BL10</b> 10X100								

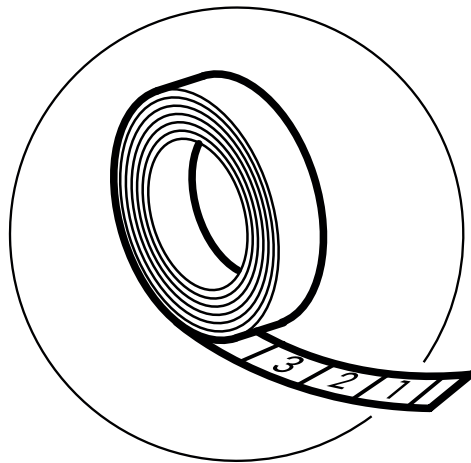


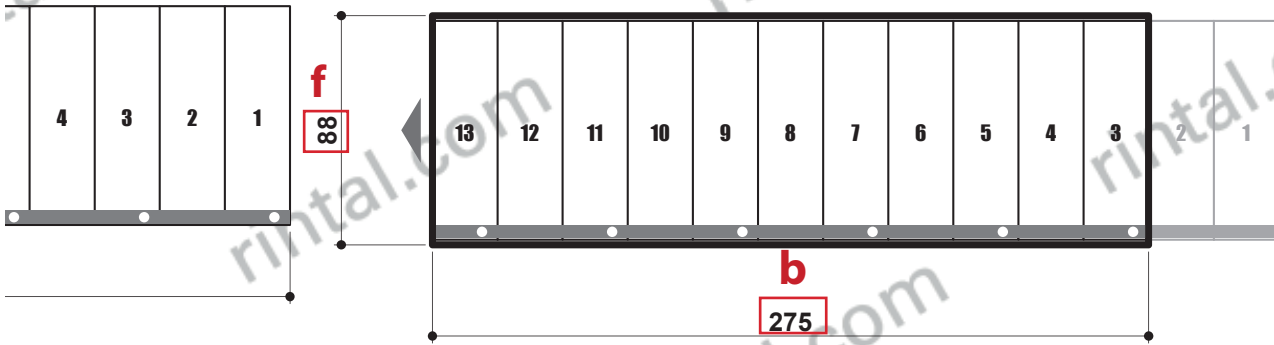
# Tools



1.1

# CHECK THE MEASURES





file \_\_\_\_\_

customer \_\_\_\_\_

order \_\_\_\_\_

vendor \_\_\_\_\_

dat \_\_\_\_\_

*room data*

**e** slab thickness **30 cm**  
total rise **300 cm** **HT**

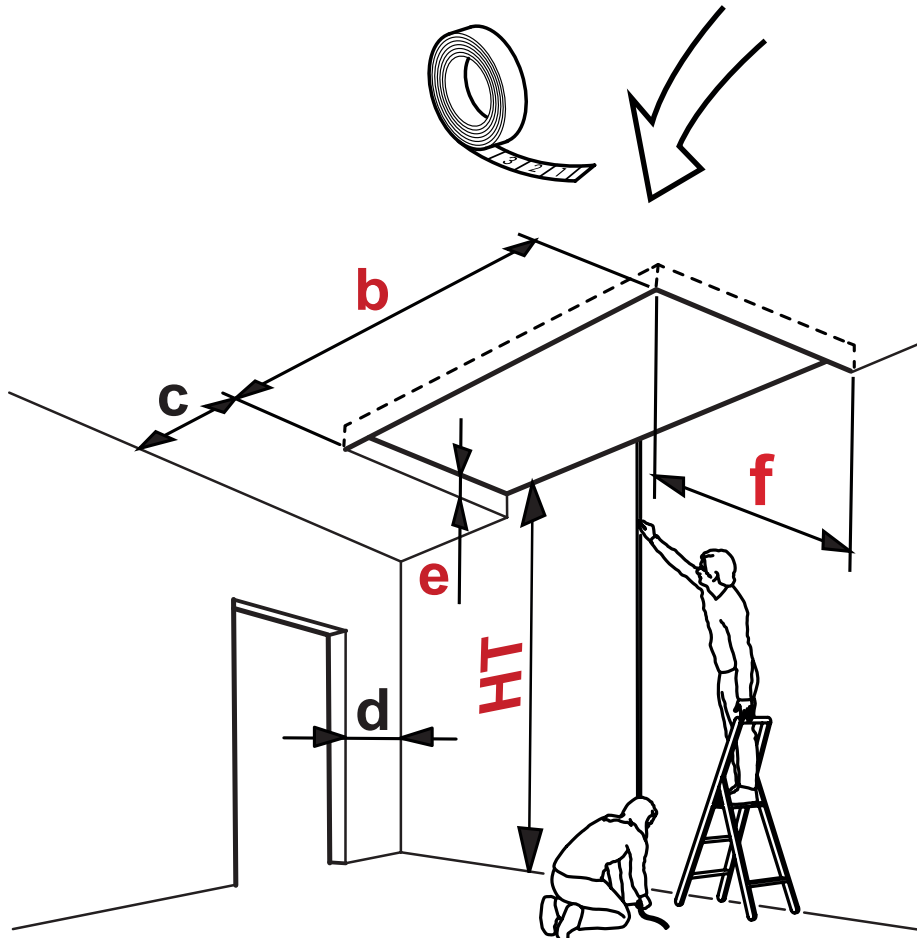
clearance **207 cm**  
verified on **3° step**

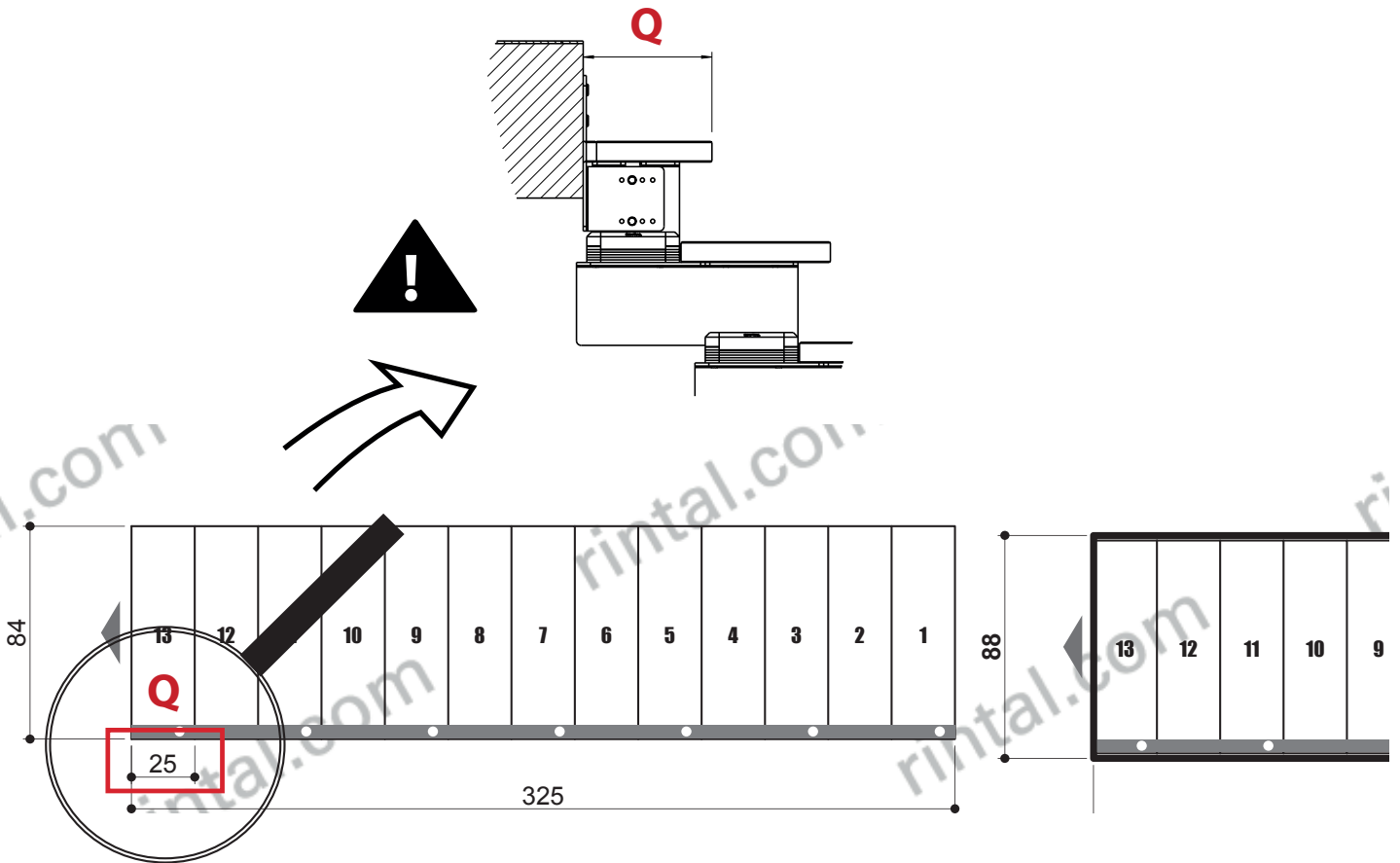
*stair data*

landing type **below floor**  
steps **13**  
rise **21.4 cm**  
going **25.0 cm**  
flights width **84 cm**

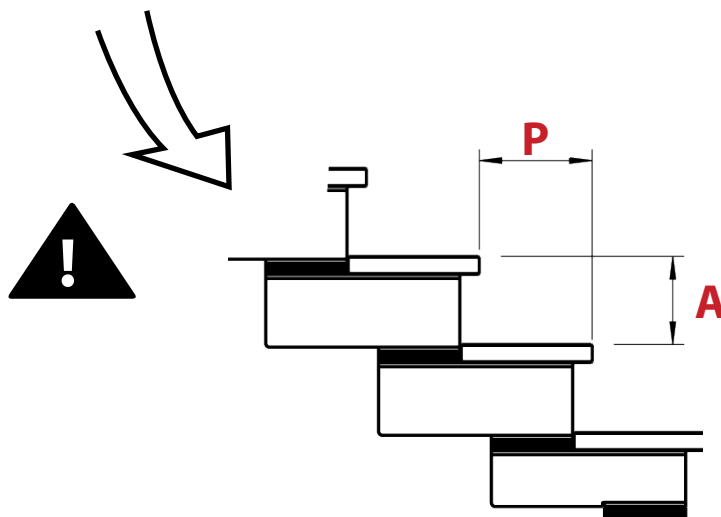
*options*

railing type **Minimal**





_____	customer _____	(signature for acceptance)
_____	vendor _____	date <b>14-Jun-2016</b>
<b>room data</b>	<b>stair data</b>	<b>options</b>
ness <b>30 cm</b>	landing type <b>below floor</b>	railing type <b>Minimal 4 tubes</b>
l rise <b>300 cm</b>	<b>A</b> steps <b>13</b>	
ance <b>207 cm</b>	<b>P</b> rise <b>21.4 cm</b>	
rd on <b>3° step</b>	going <b>25.0 cm</b>	
	flights width <b>84 cm</b>	

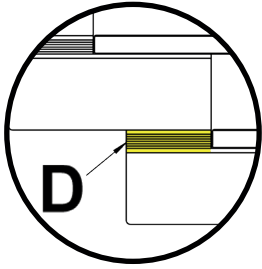




**2.1**

# **PRE ASSEMBLY**





model

# Composity

Quality System Standard UNI EN ISO 9001

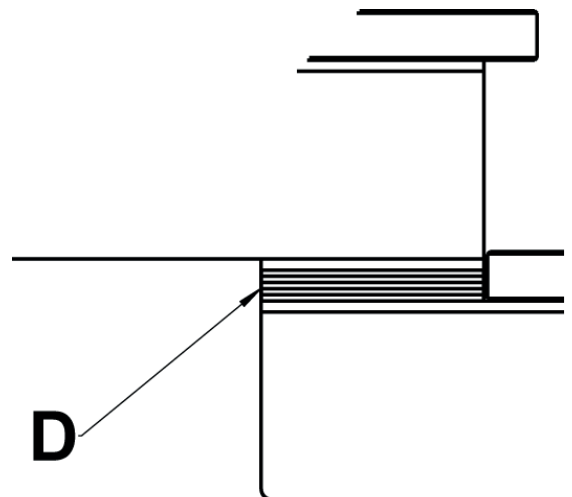
vendor \_\_\_\_\_  
customer \_\_\_\_\_  
file \_\_\_\_\_  
order \_\_\_\_\_

THE CLIENT \_\_\_\_\_  
*(signature for acceptance and stamp required in case of a company)*  
date **14-Jun-2016 10:59:14**

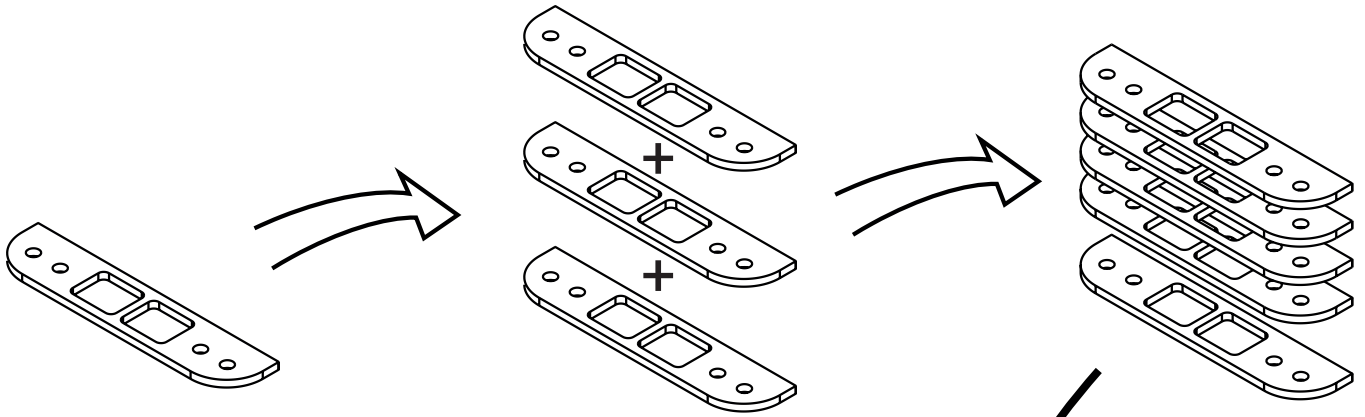
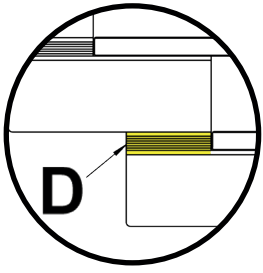
## Technical notes

### Rise adjustment

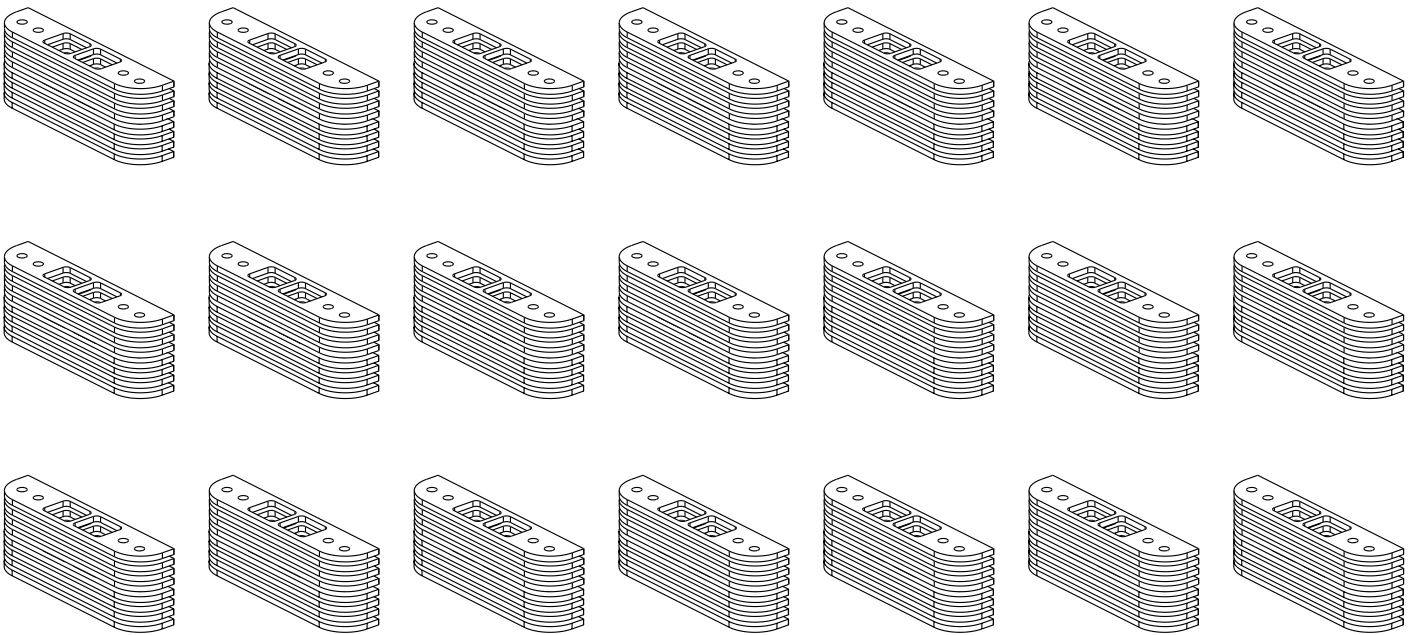
- total rises: 14
- value of rise 14: 21.5 cm
- value of rises from 13 to 3: 21.5 cm (9 spacers D)
- value of rises from 2 to 1: 21.0 cm (8 spacers D)

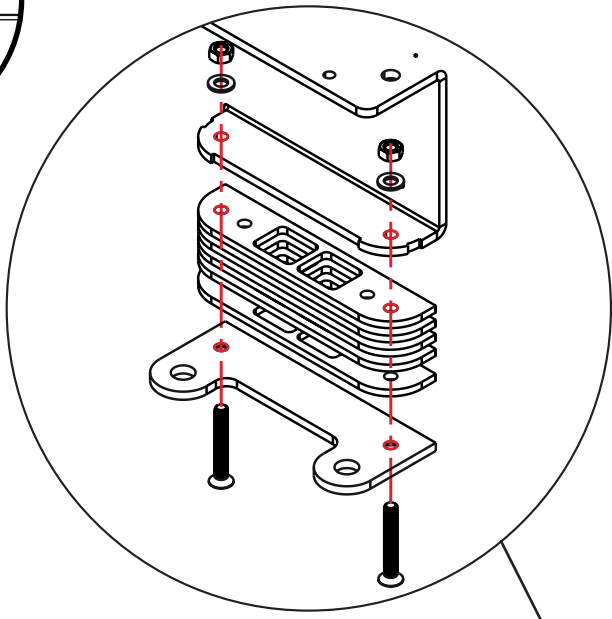
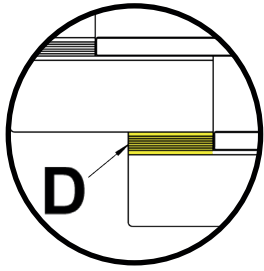


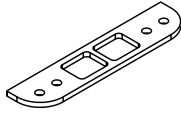
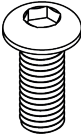


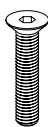
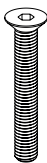
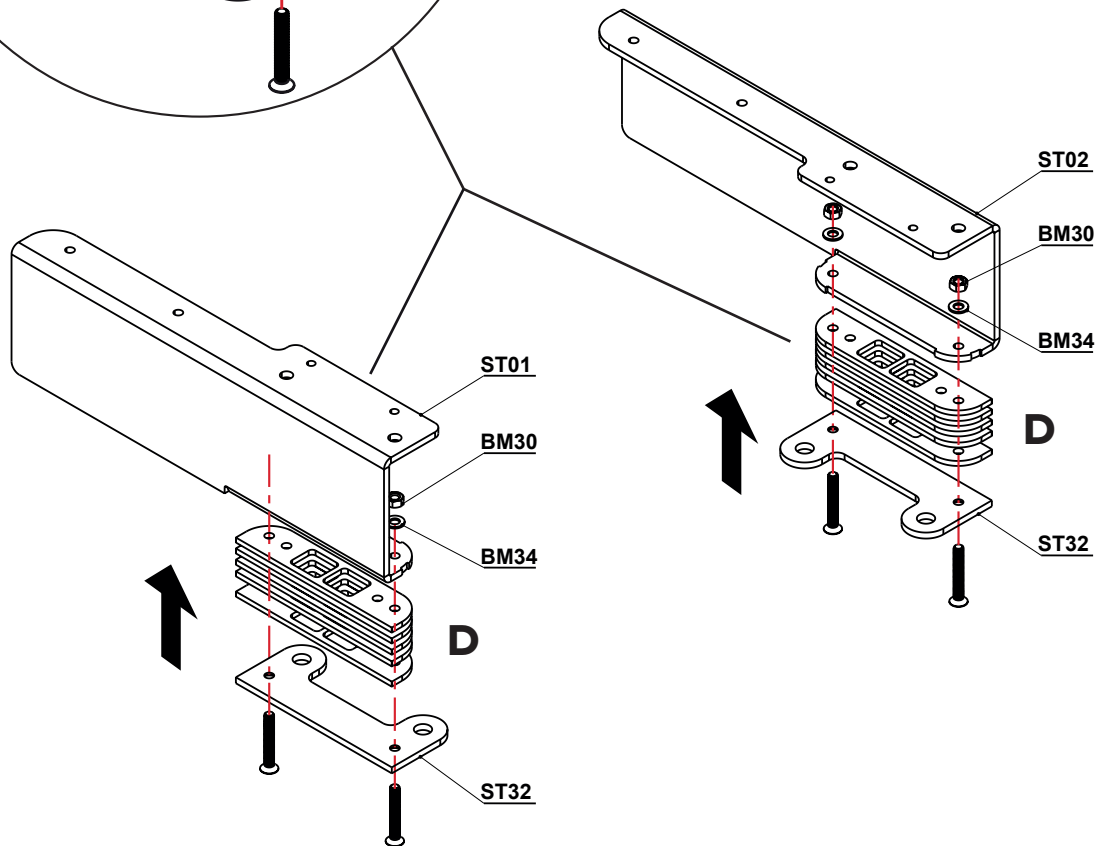


**PC00**





	
<b>D</b>	
1 ÷ 4	BM08 M8X40
4 ÷ 7	BM07 M8X55
7 ÷ 10	BM06 M8X70



**BM 06**

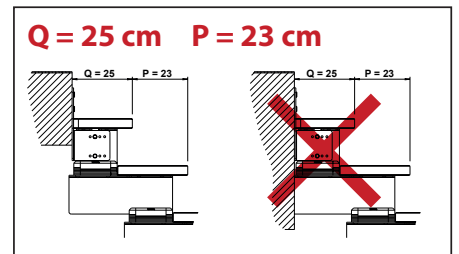
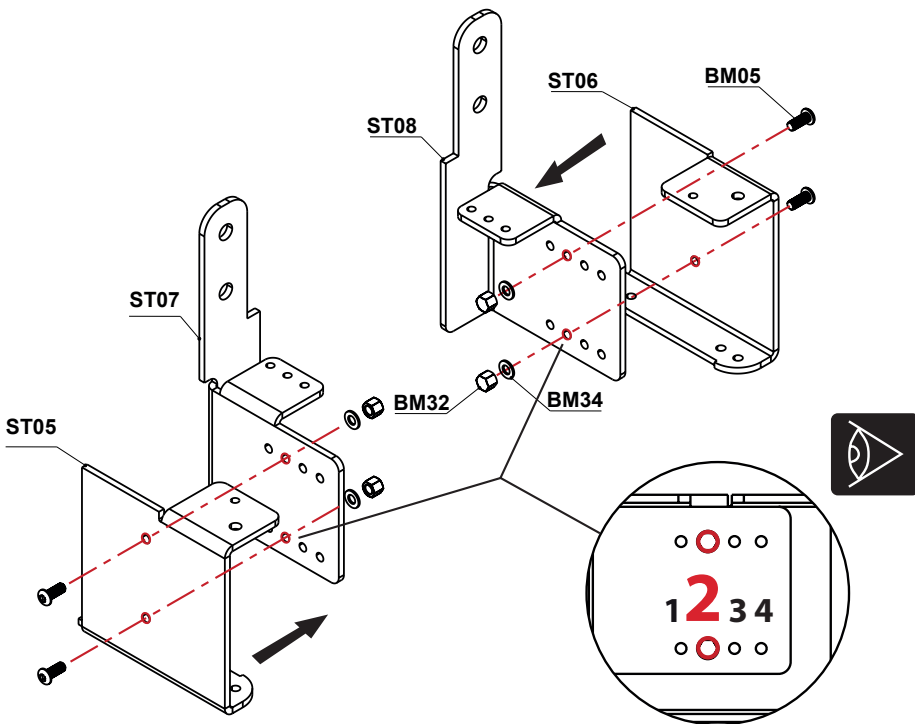
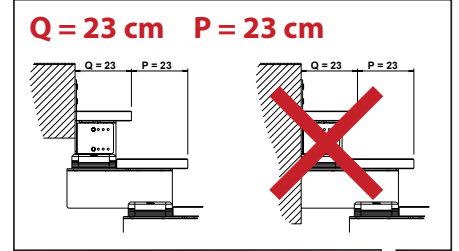
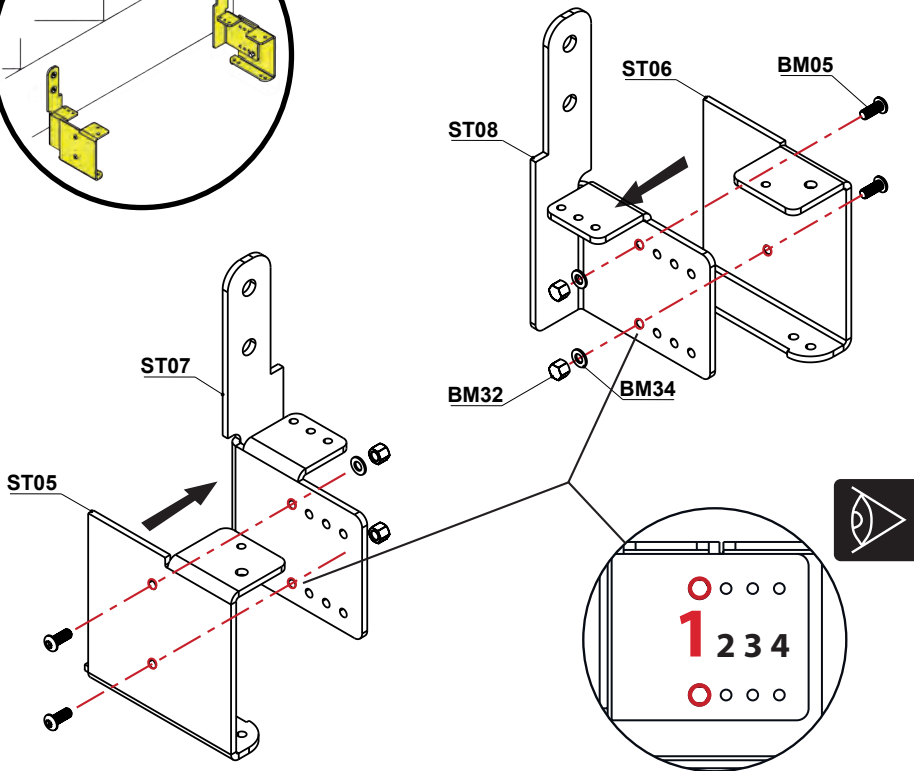
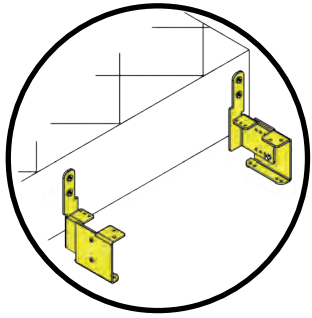
**BM 07**

**BM 08**

**BM 032**

**BM 34**



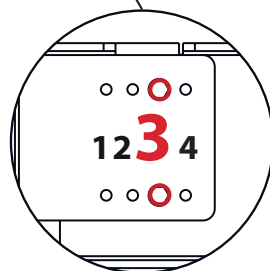
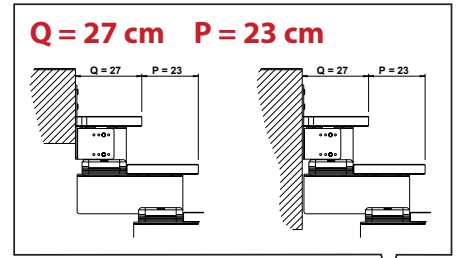
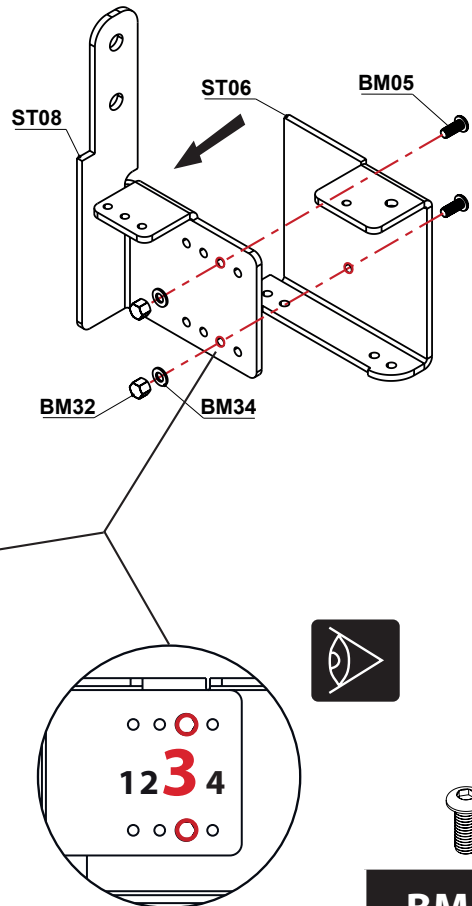
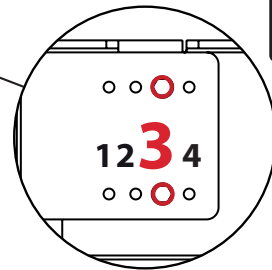
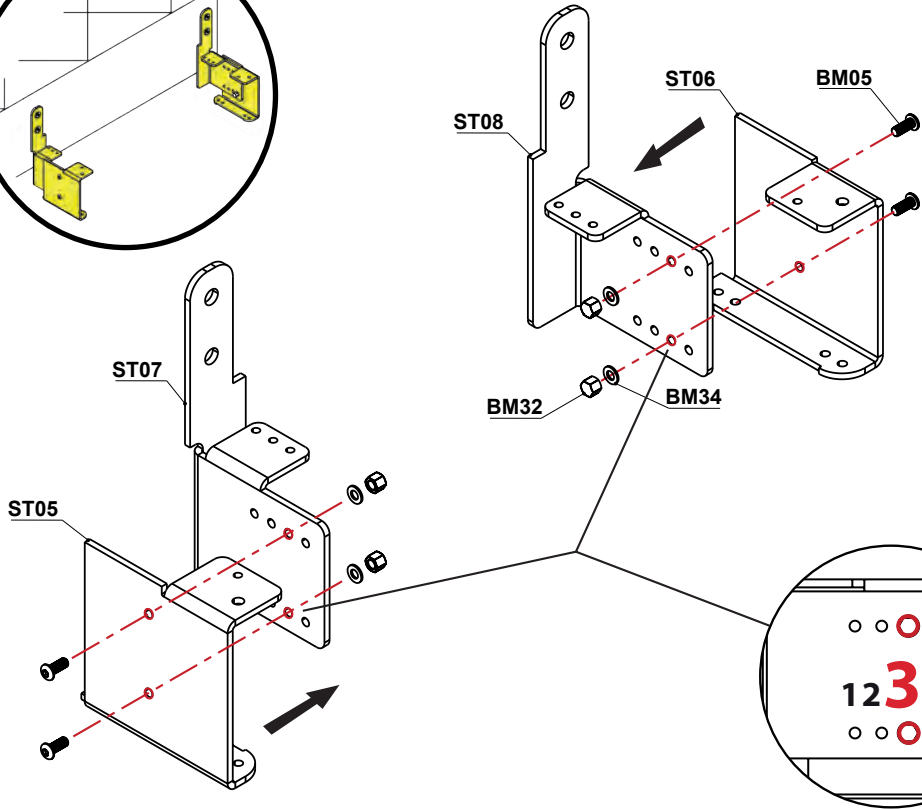
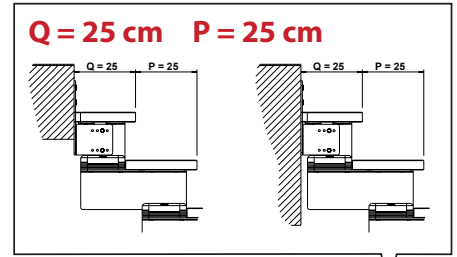
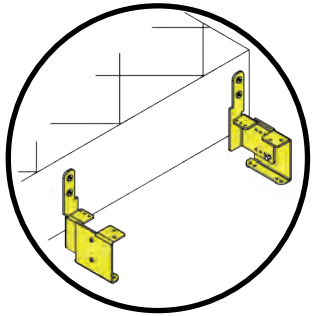


**BM 05**

**BM 032**

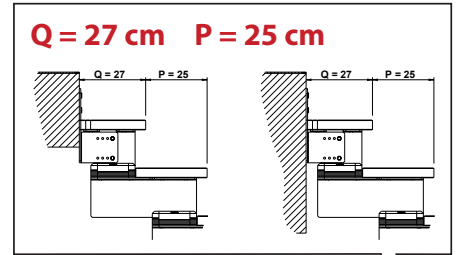
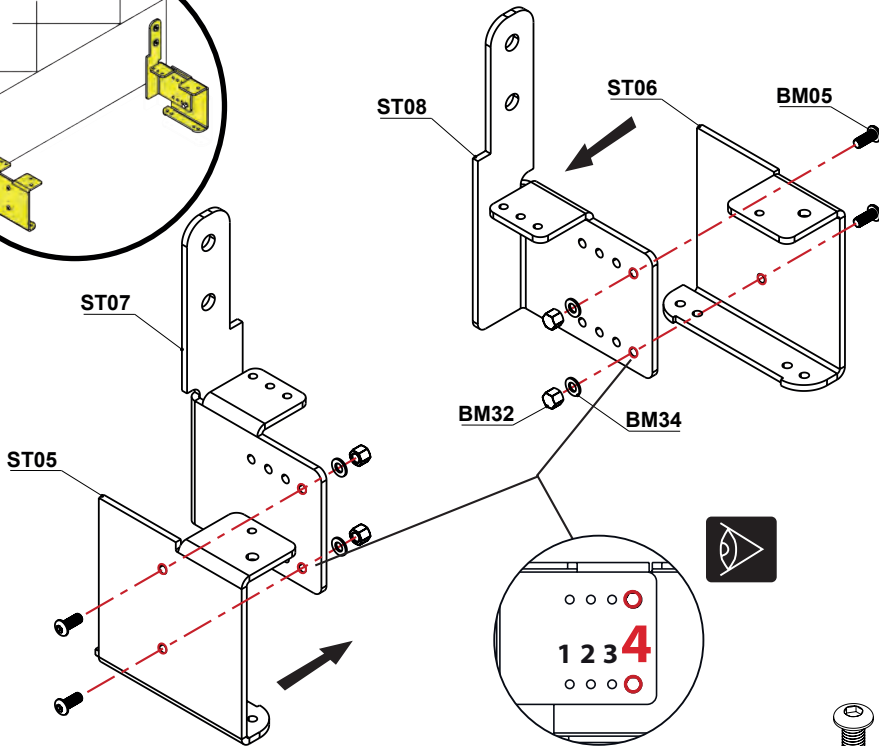
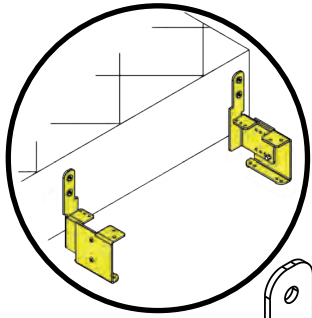
**BM 34**



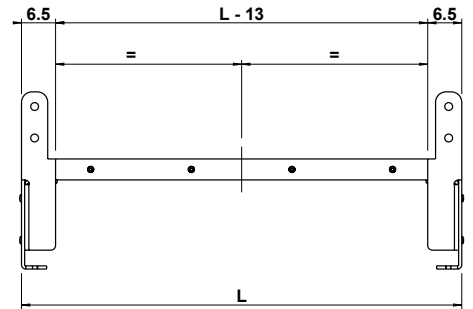
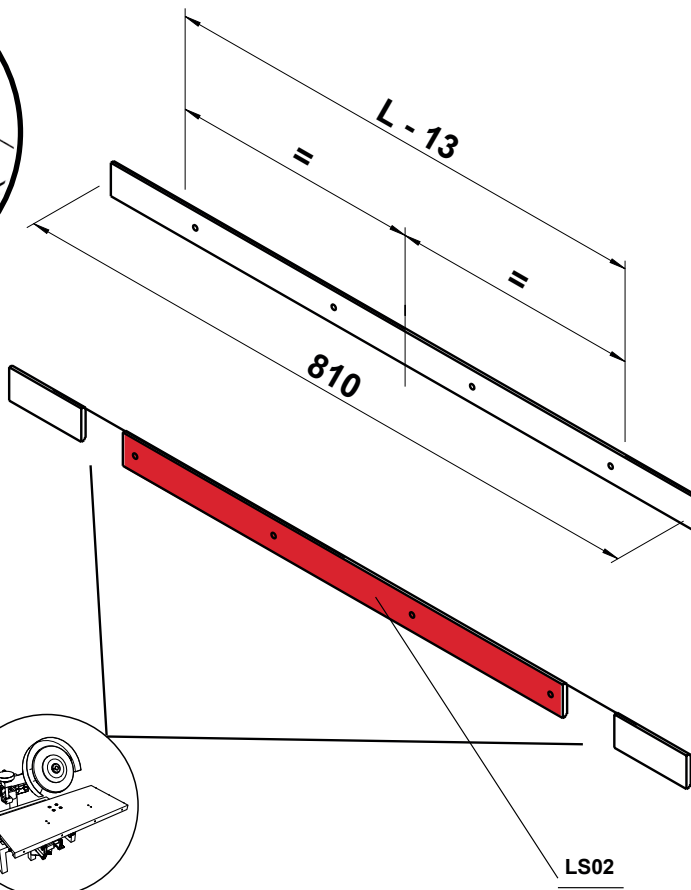
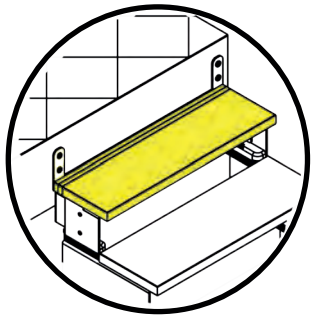


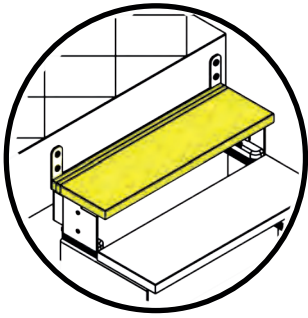
- |              |               |              |
|--------------|---------------|--------------|
| <b>BM 05</b> | <b>BM 032</b> | <b>BM 34</b> |
|--------------|---------------|--------------|



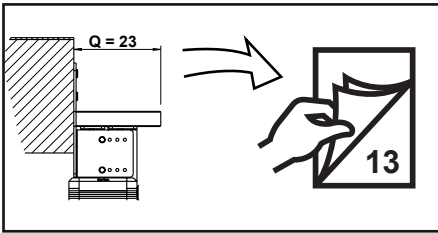


**BM 05**    **BM 032**    **BM 34**

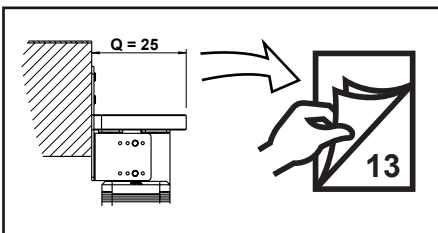




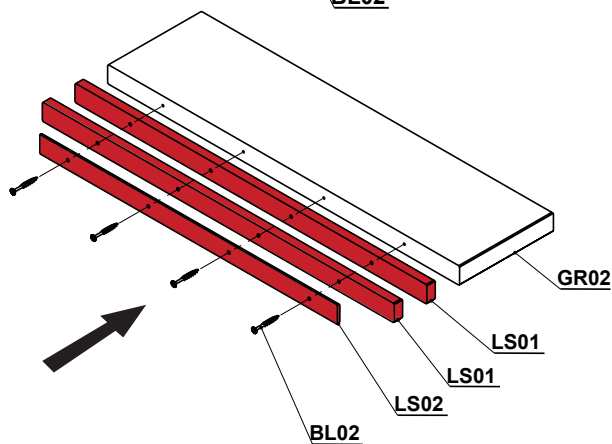
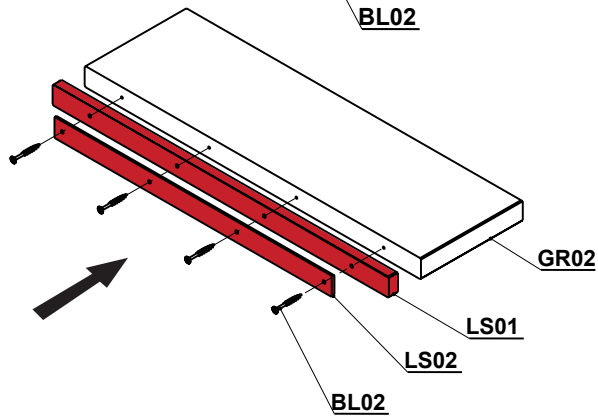
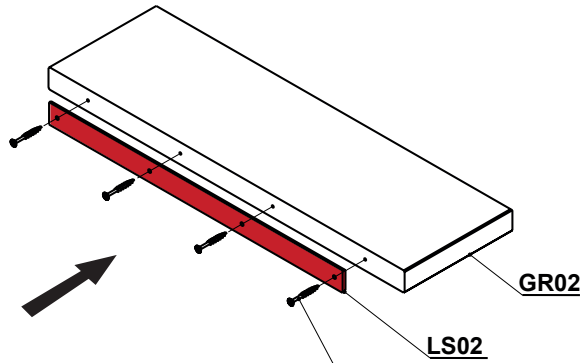
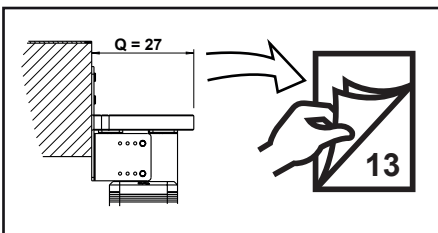
**Q = 23 cm**



**Q = 25 cm**

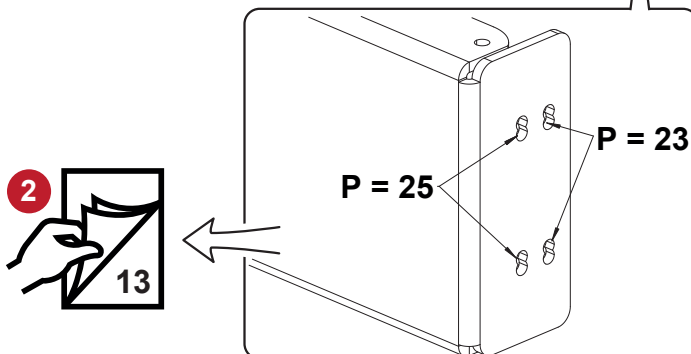
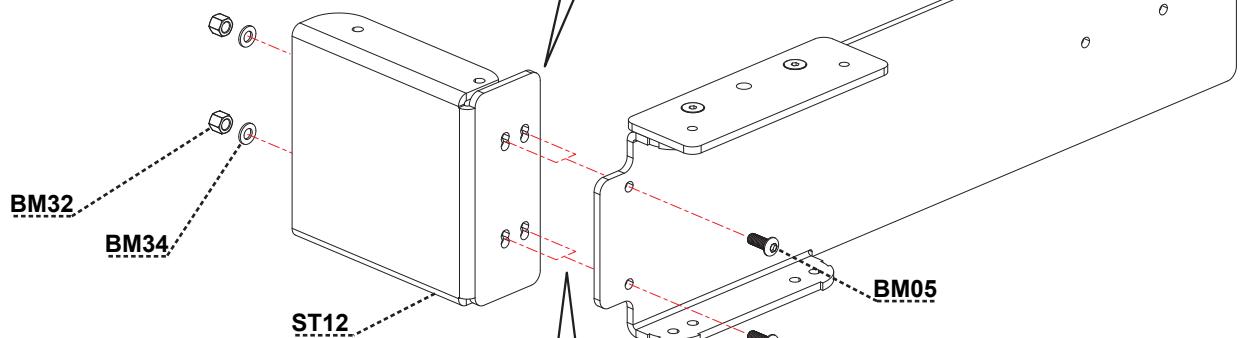
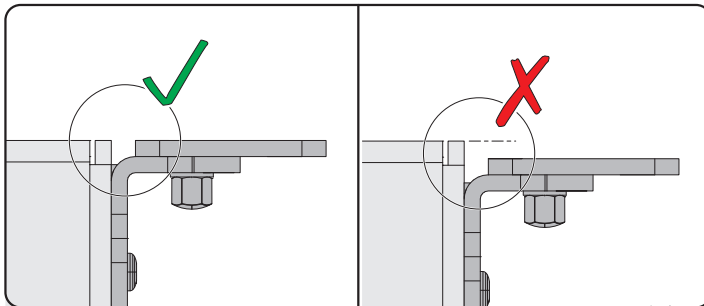
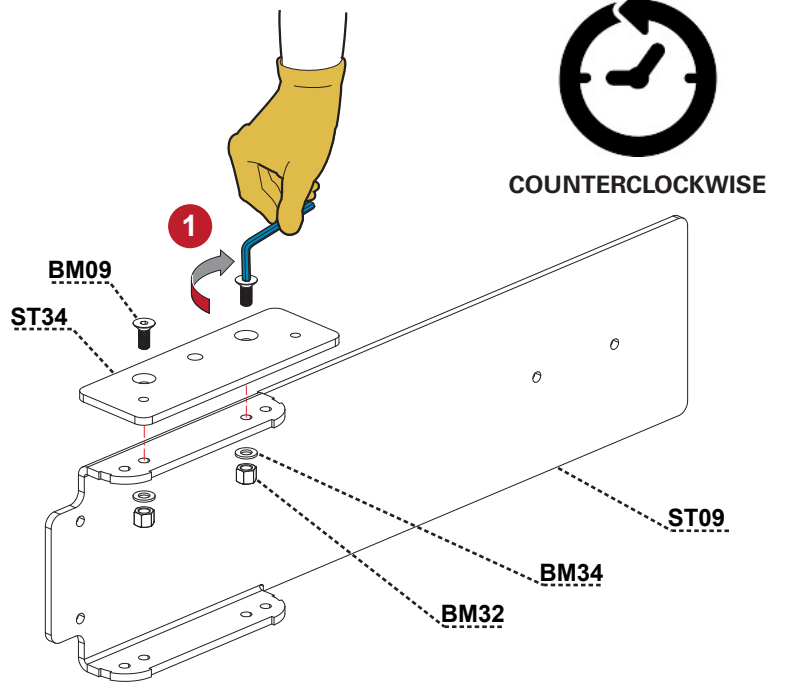
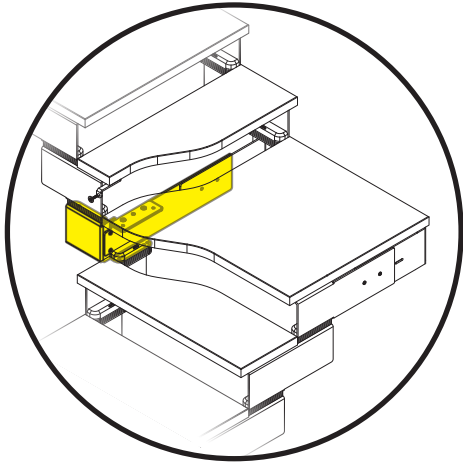


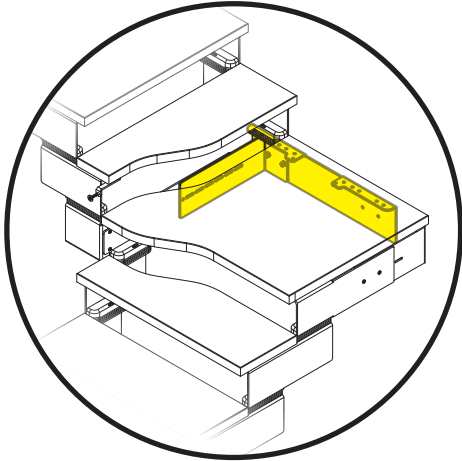
**Q = 27 cm**



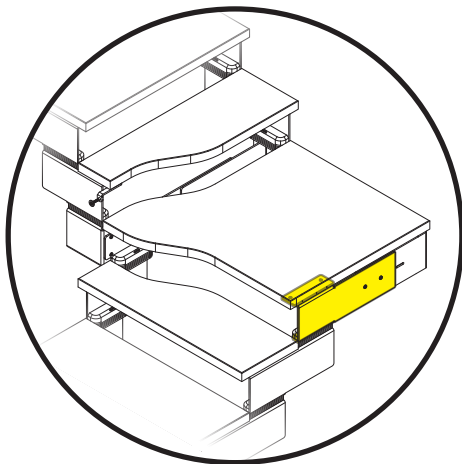
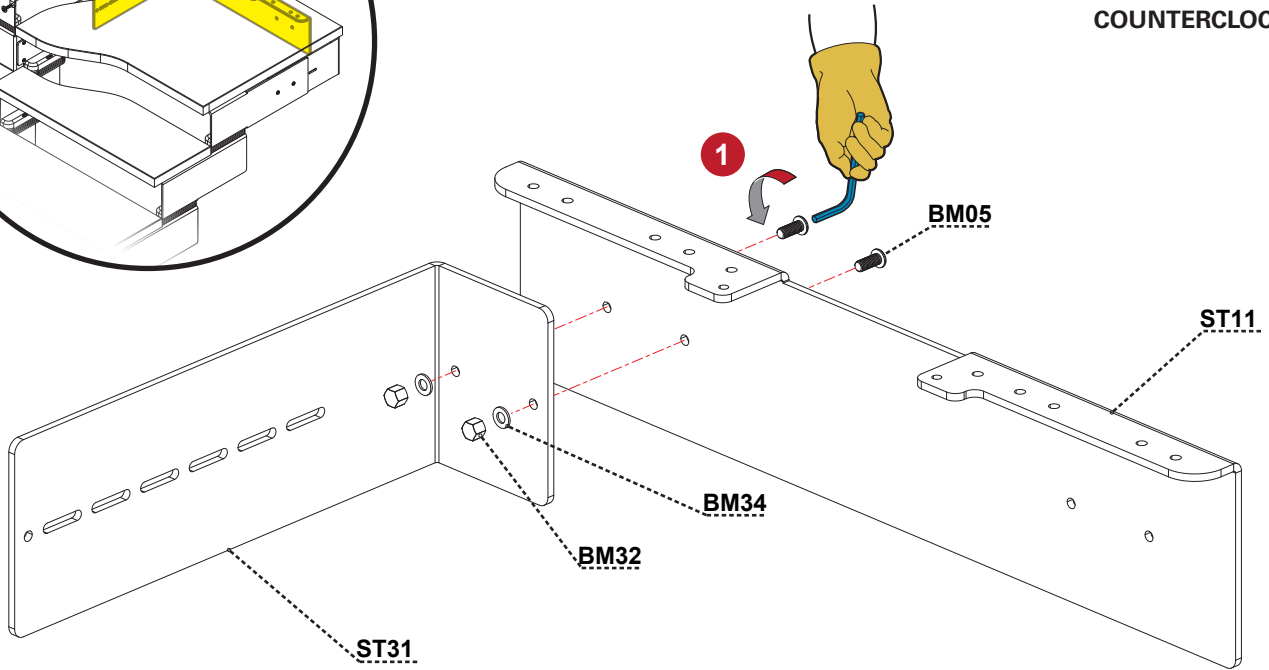
**BL 02**



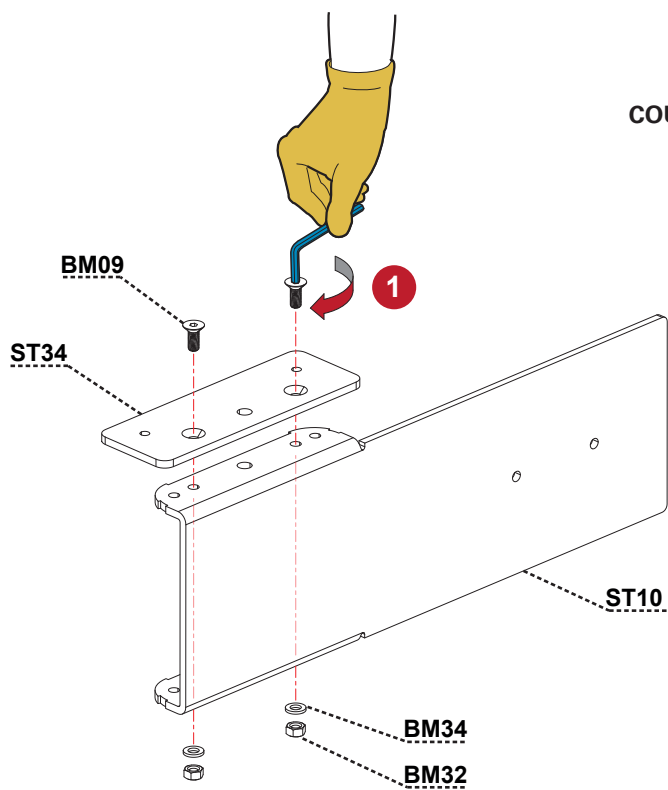




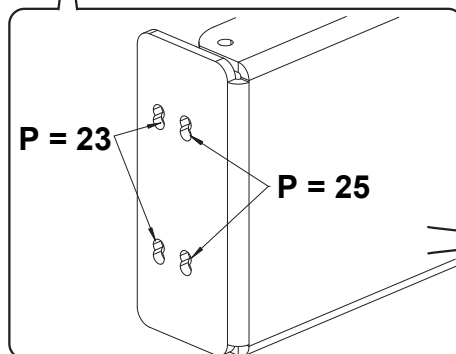
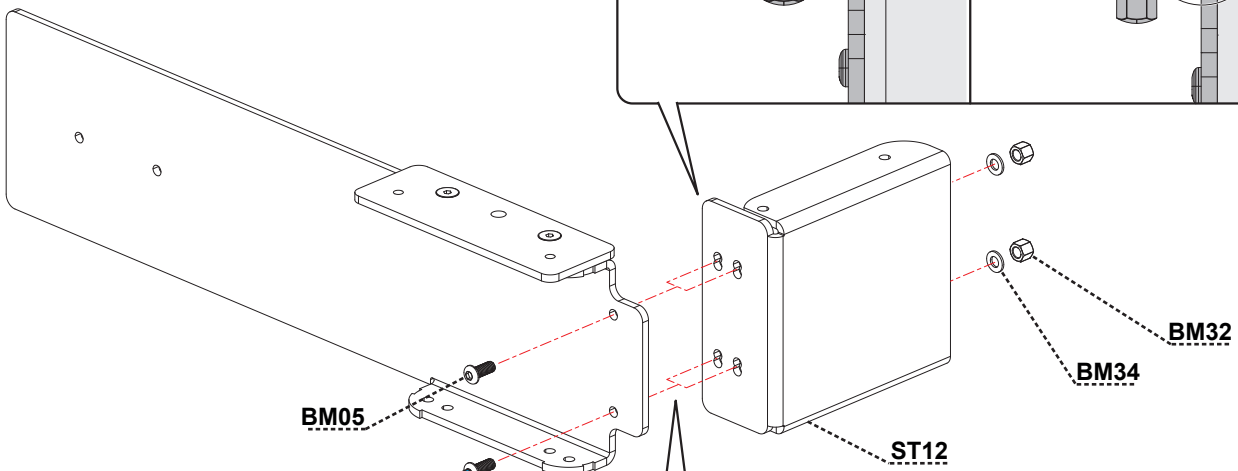
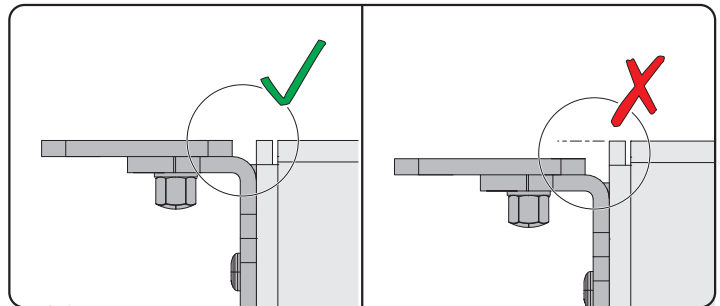
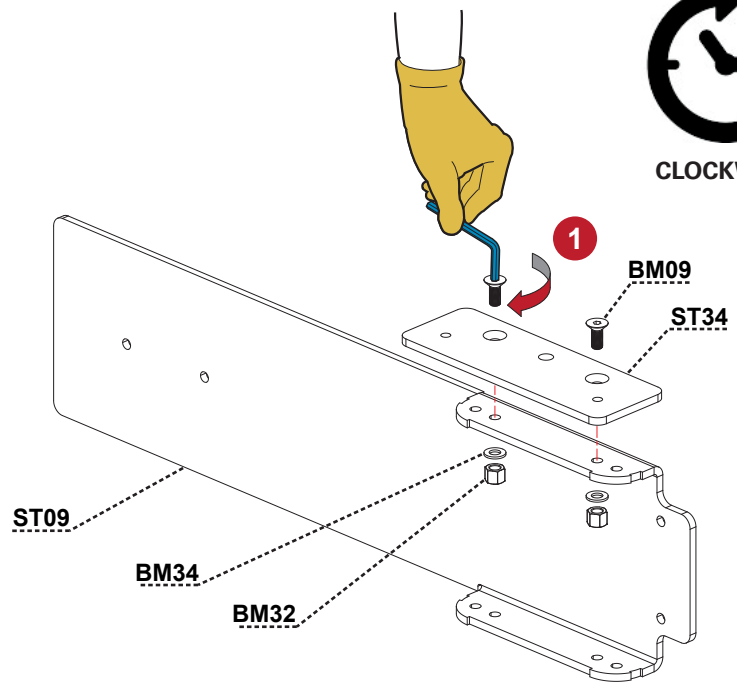
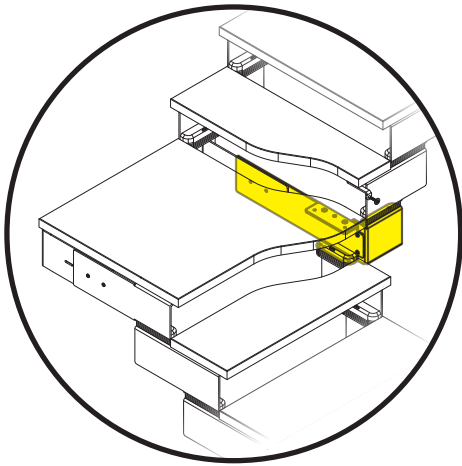
COUNTERCLOCKWISE

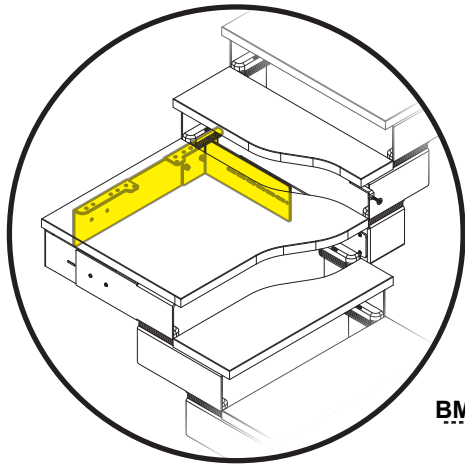


COUNTERCLOCKWISE

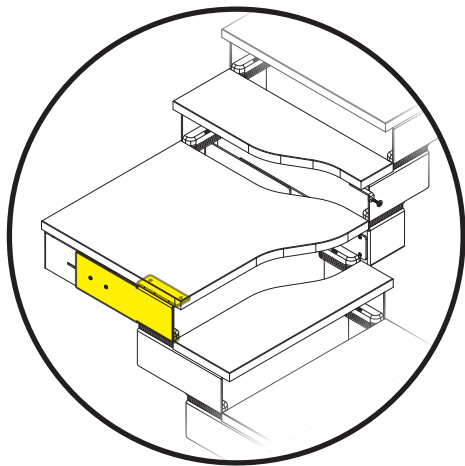
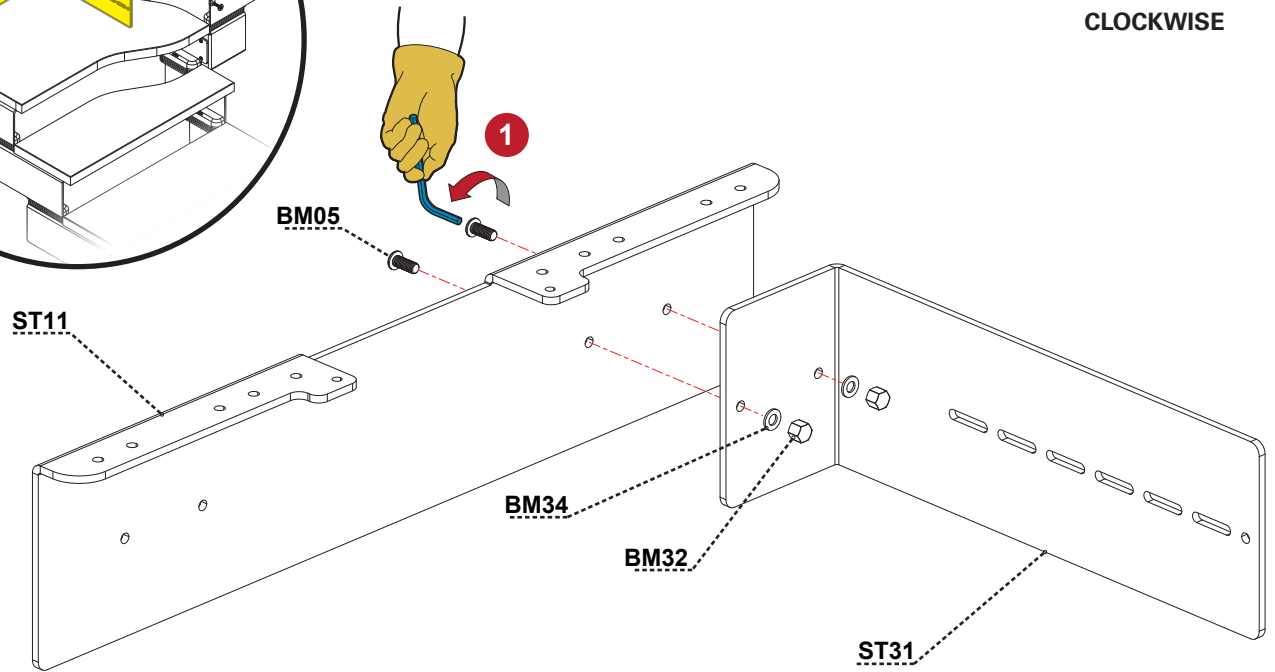




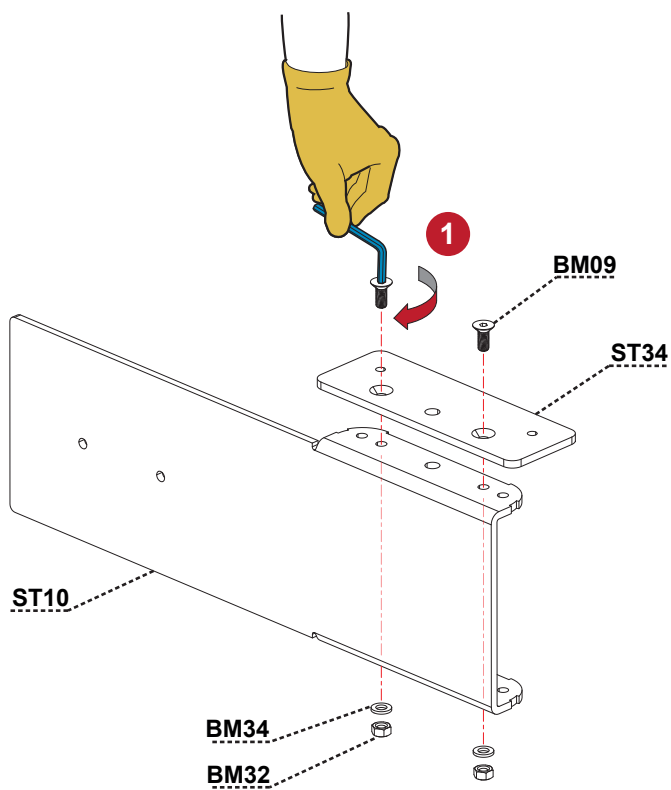


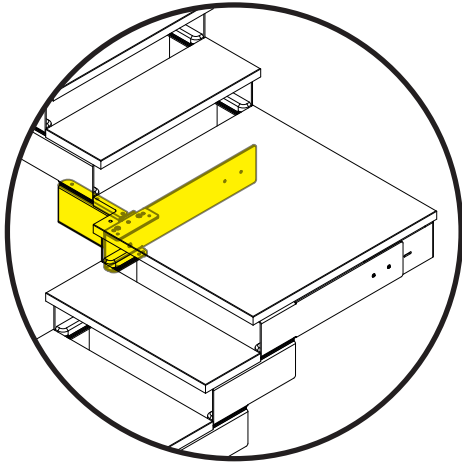


CLOCKWISE

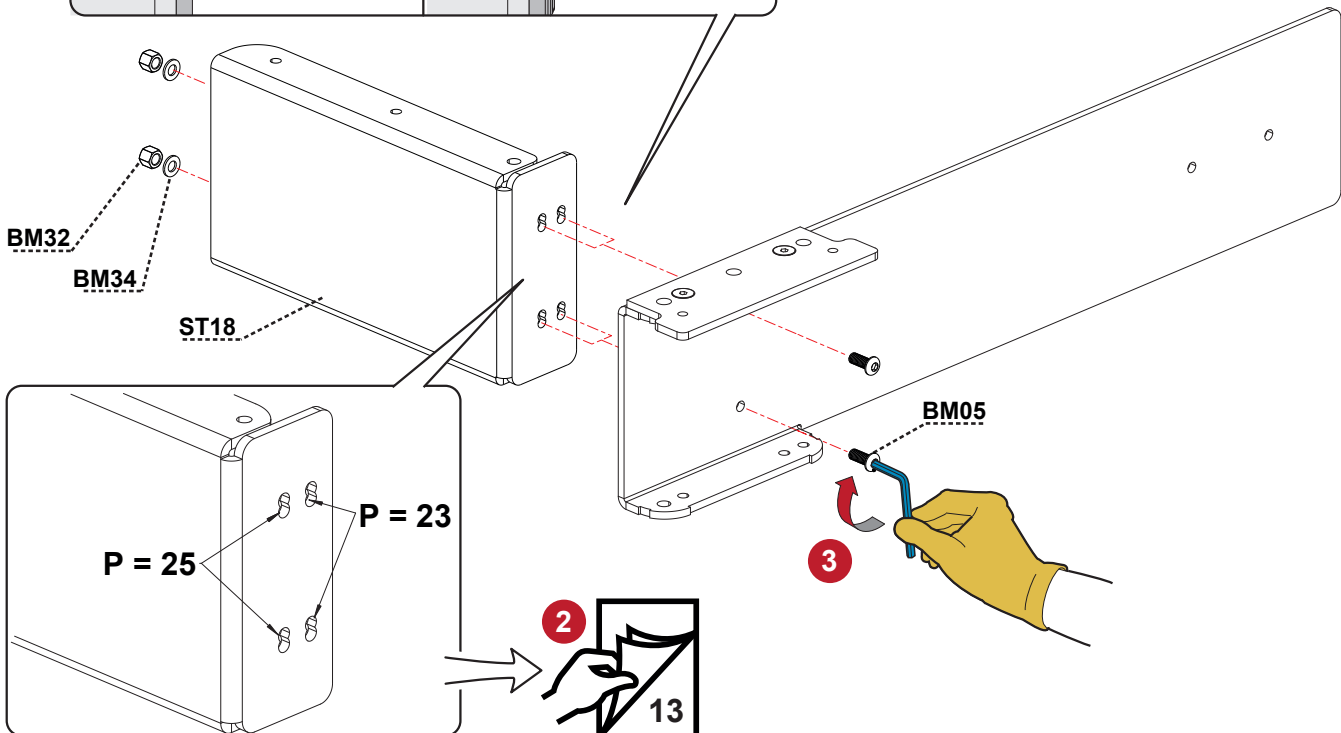
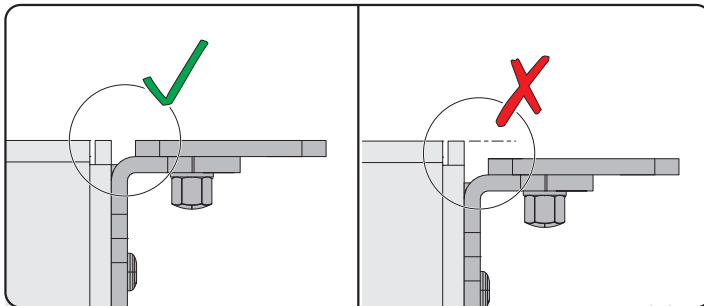
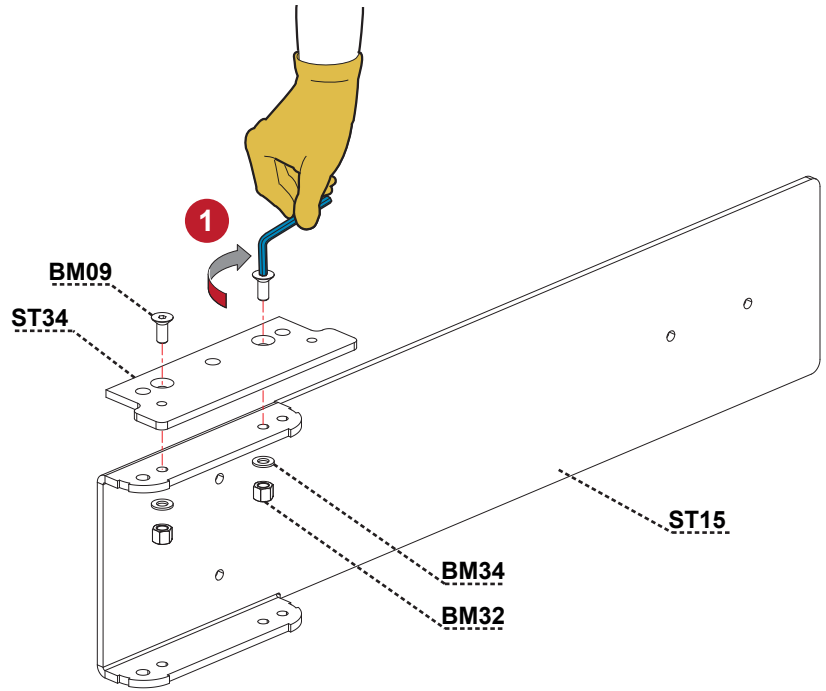


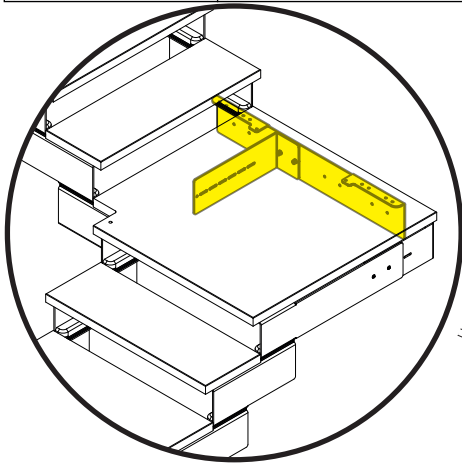
CLOCKWISE



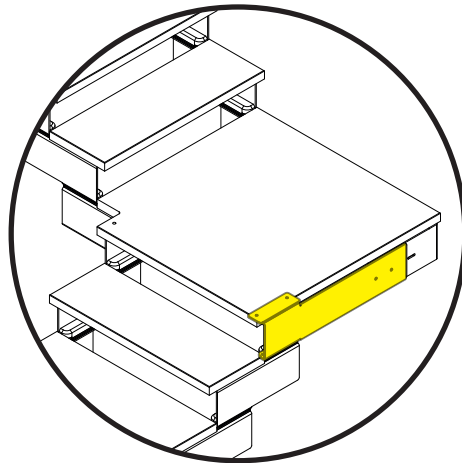
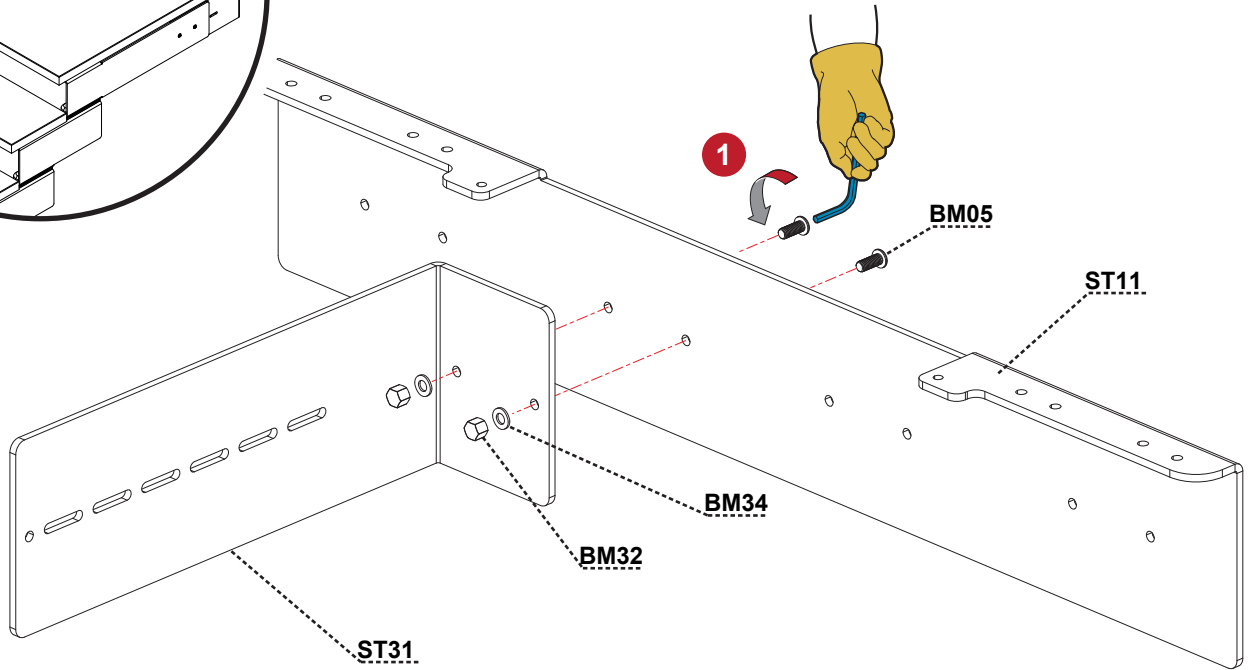


COUNTERCLOCKWISE

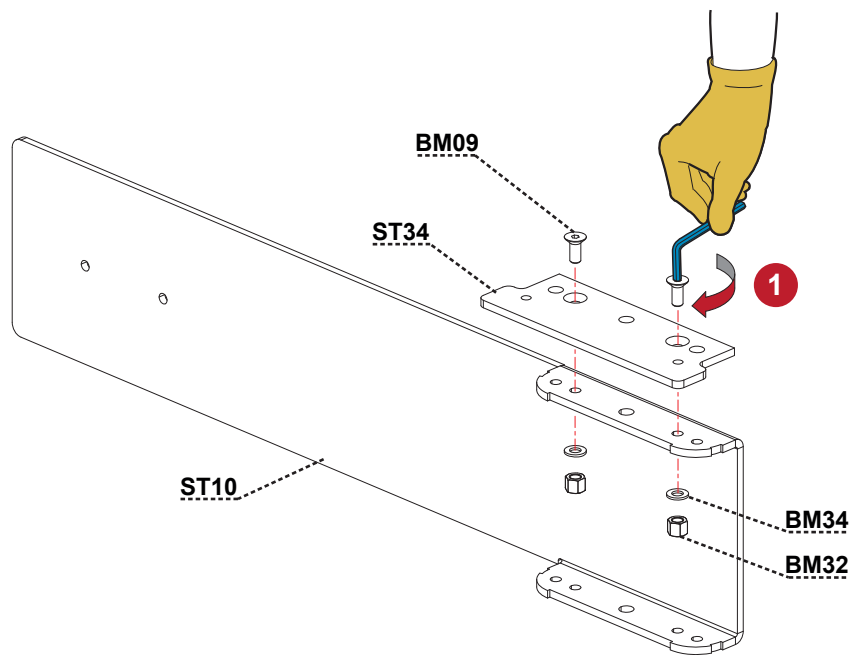


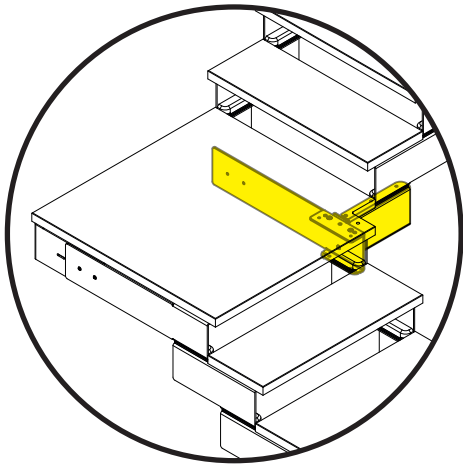


COUNTERCLOCKWISE

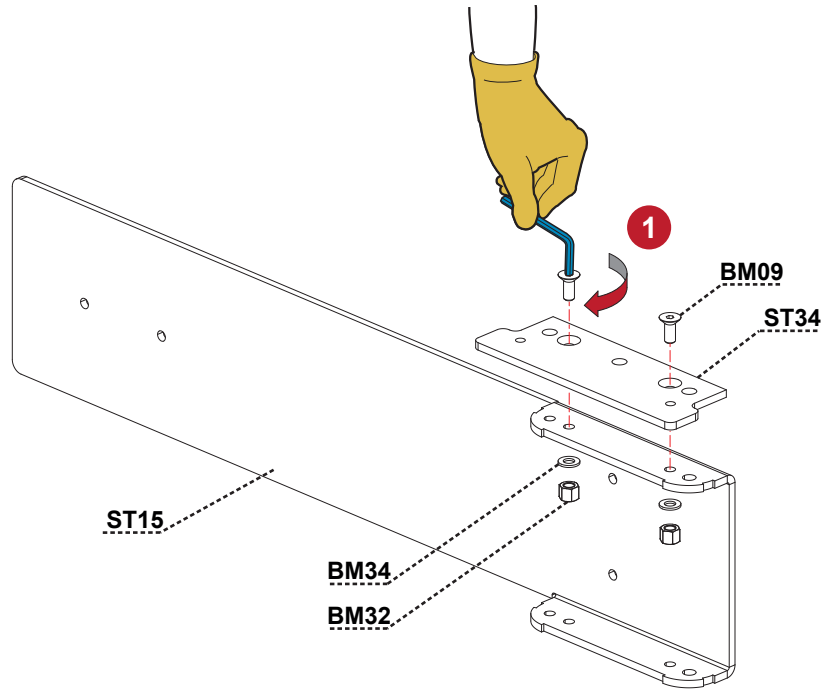


COUNTERCLOCKWISE





CLOCKWISE



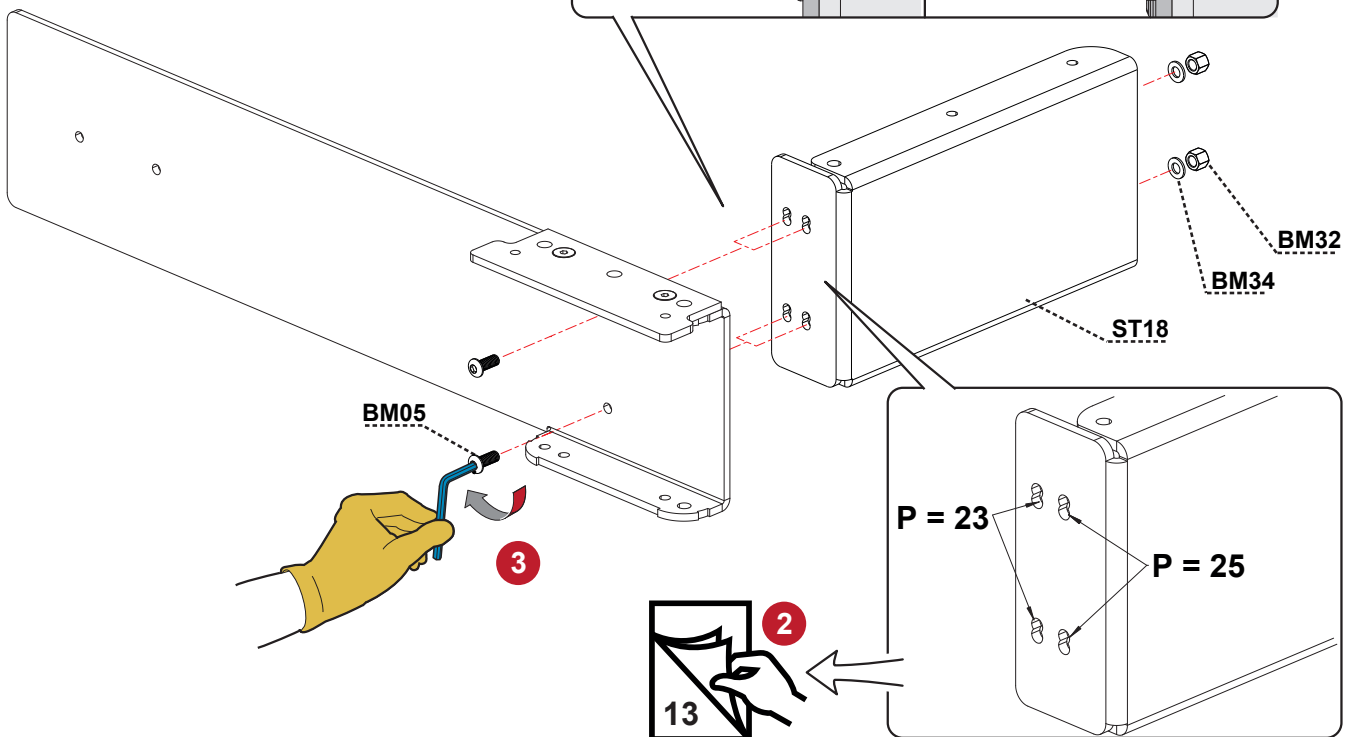
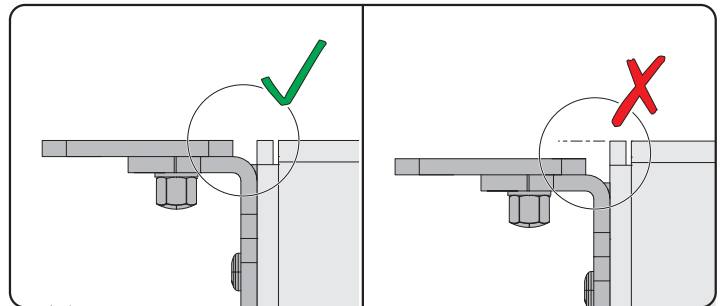
ST15

BM34

BM32

BM09

ST34



BM05

3



2

13

P = 23

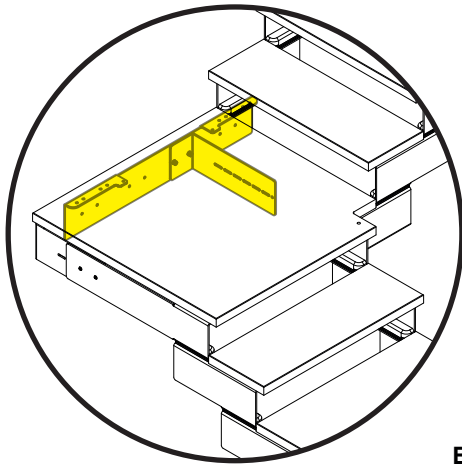
P = 25

BM32

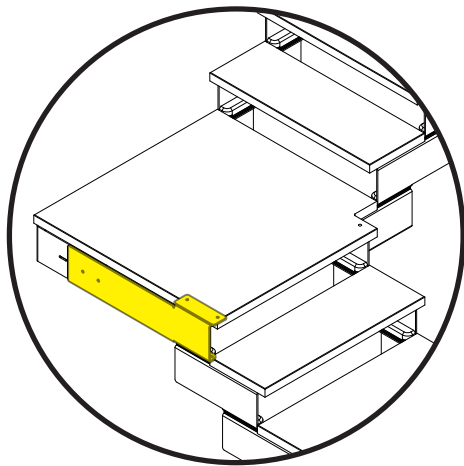
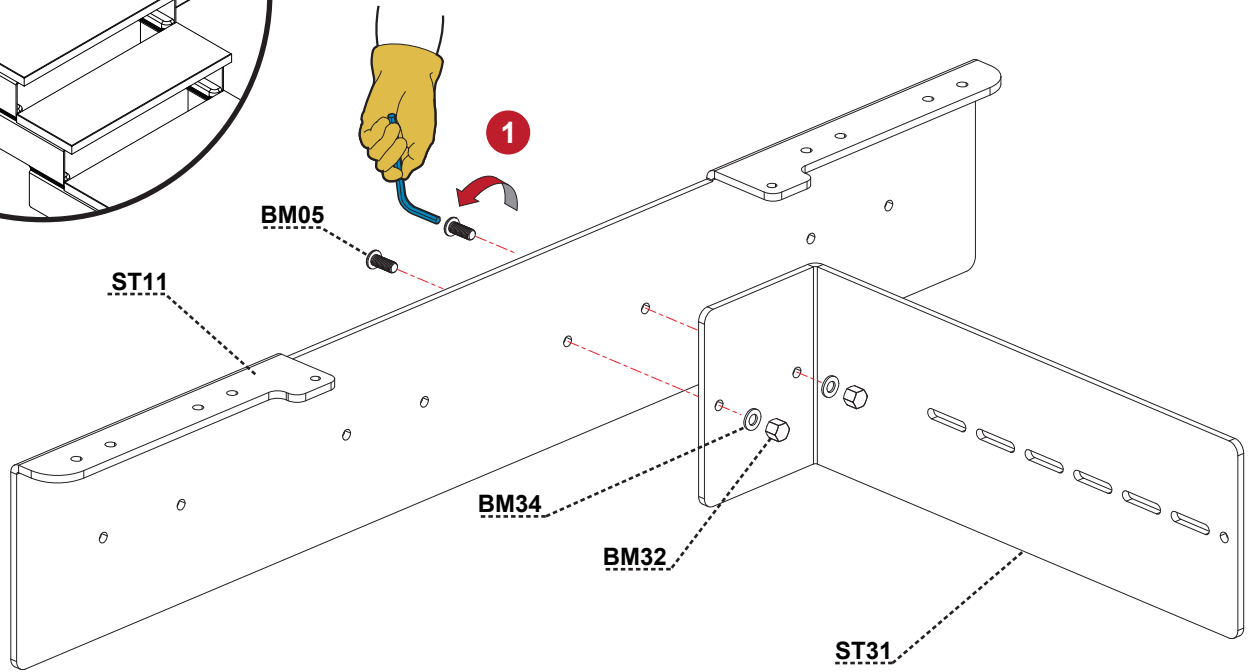
BM34

ST18

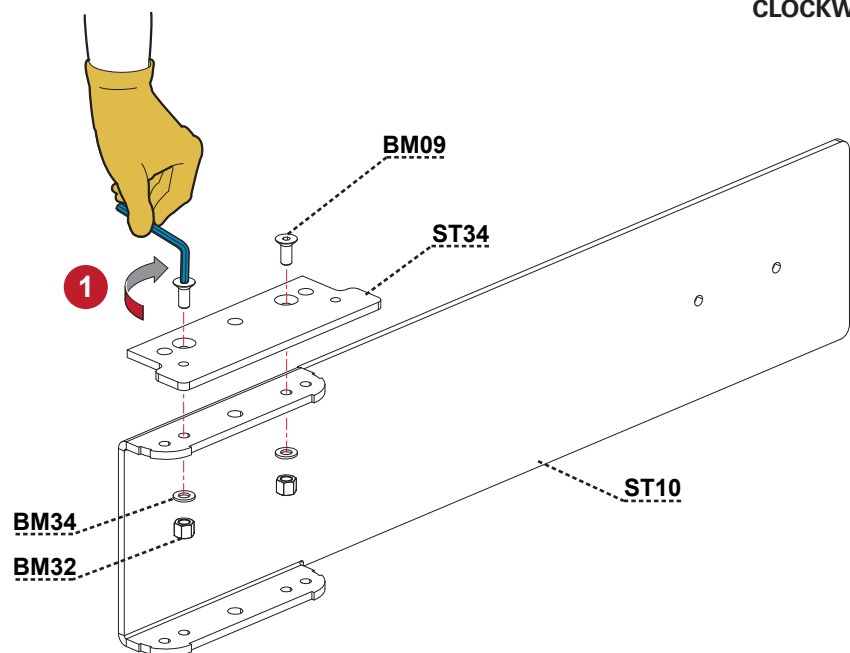




CLOCKWISE



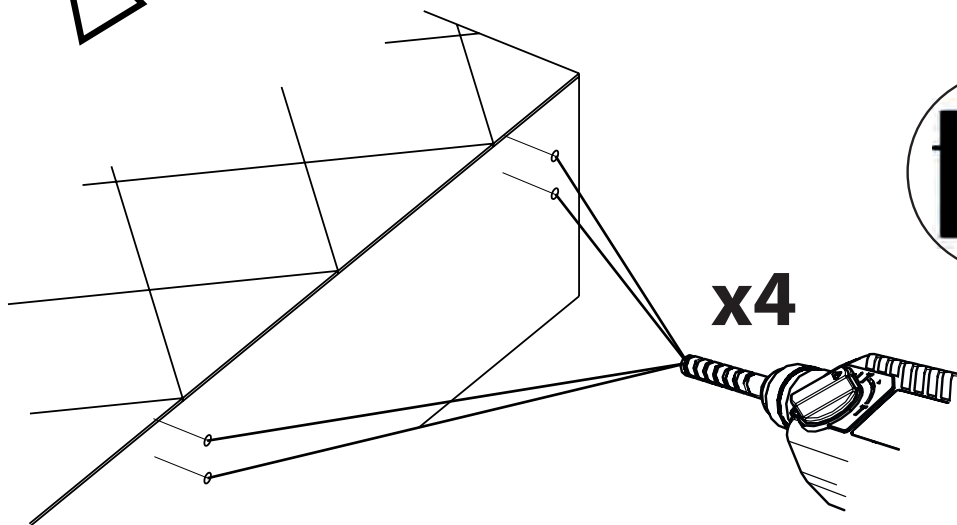
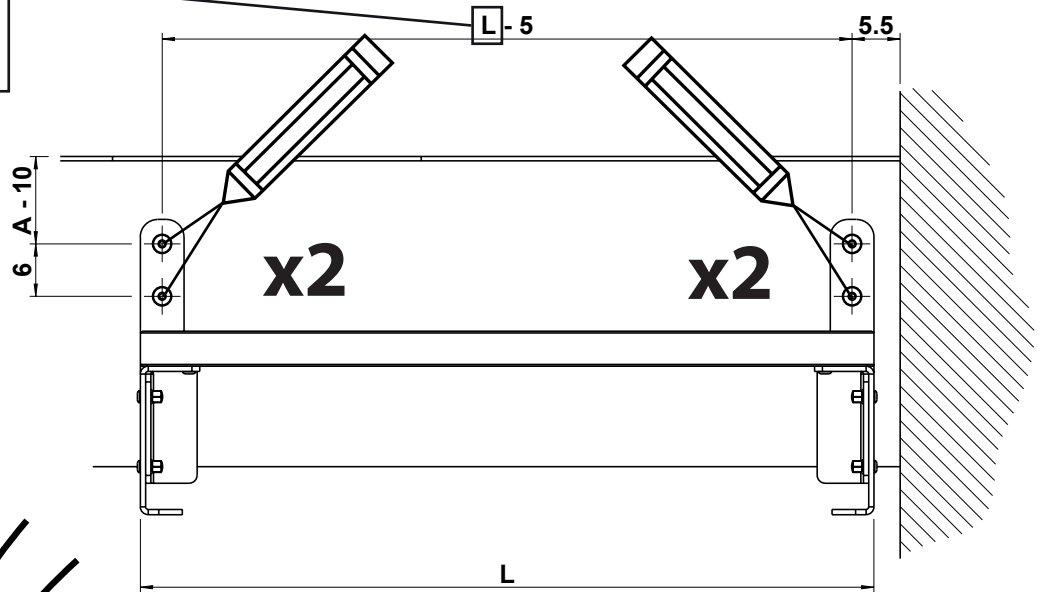
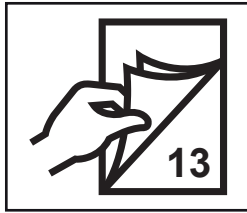
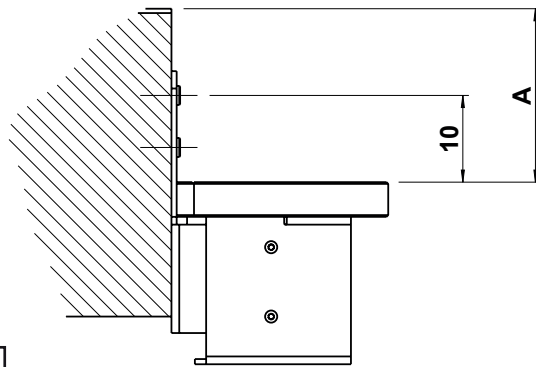
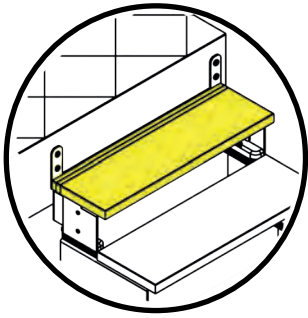
CLOCKWISE



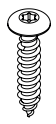
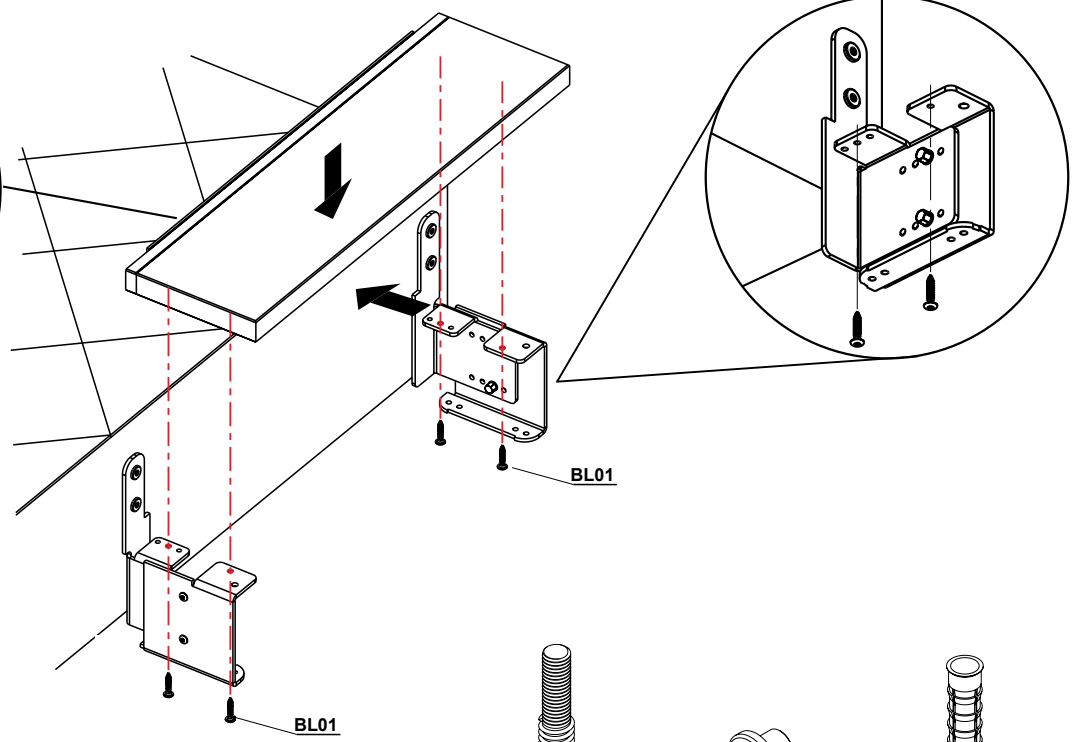
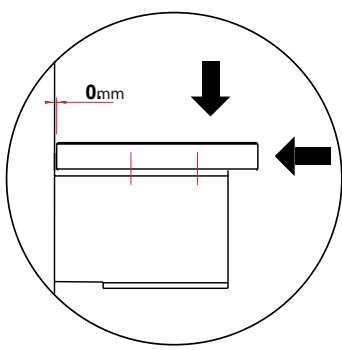
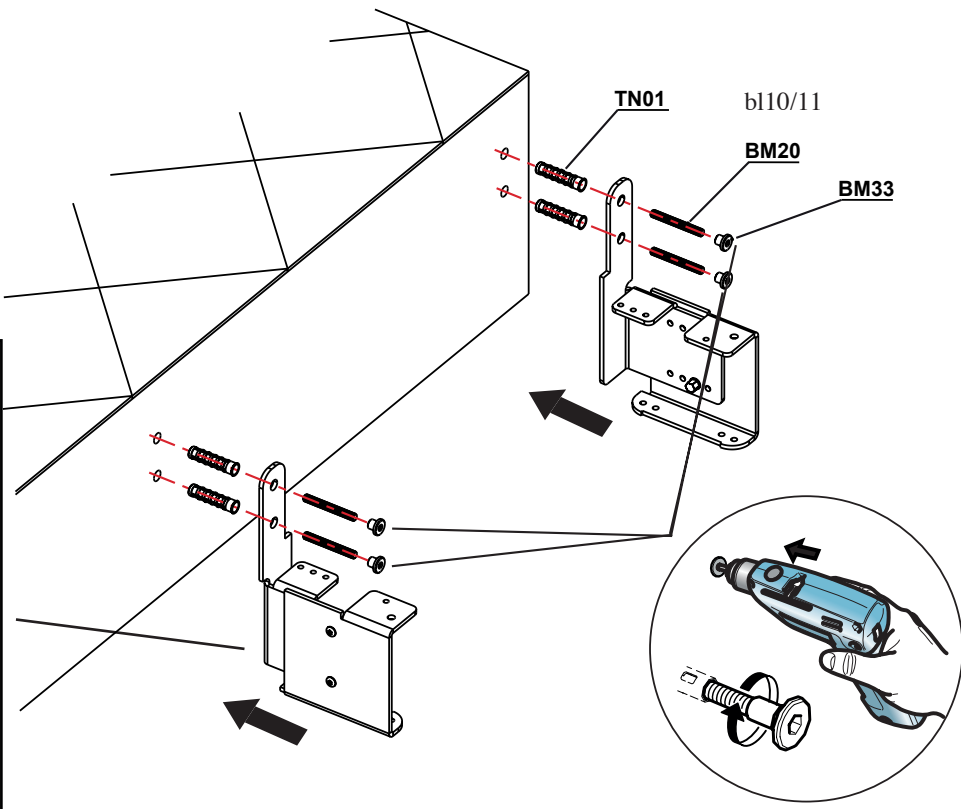
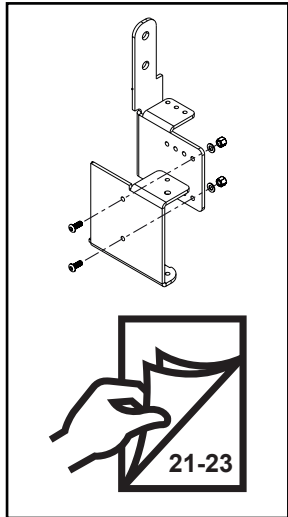
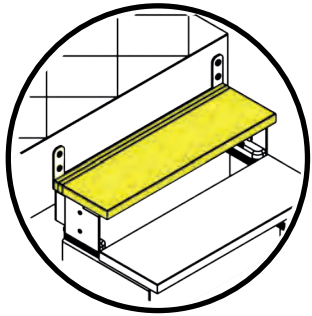
**3 . 1**

# **ASSEMBLY**

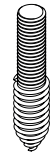








**BL 01**



**BL 11**

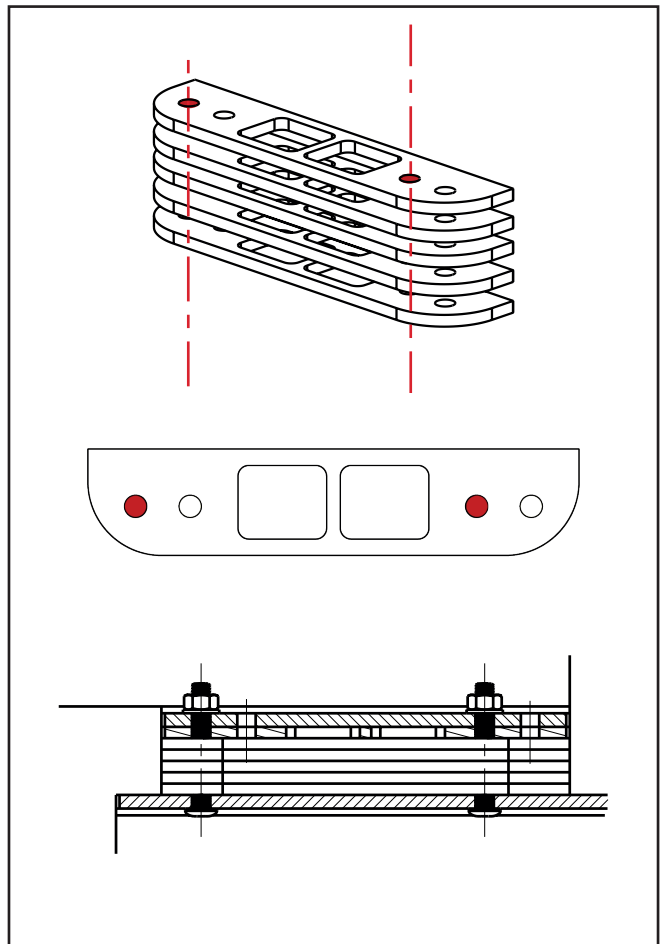
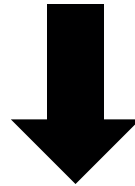
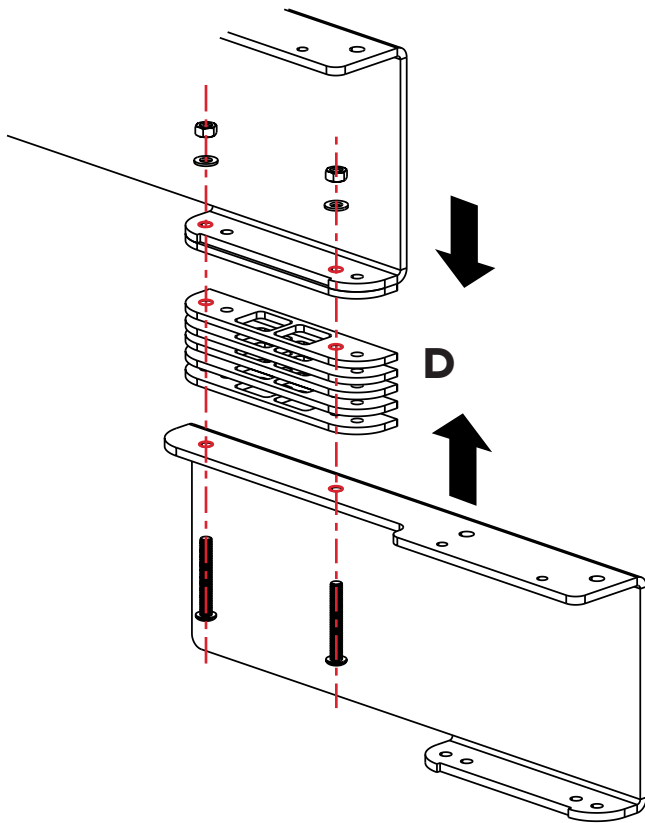
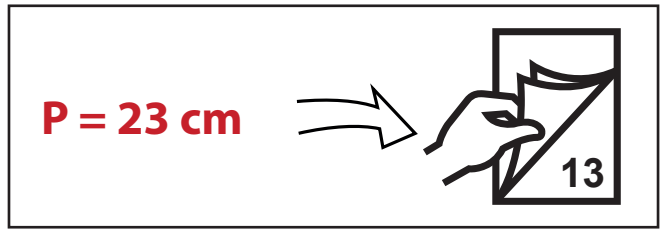
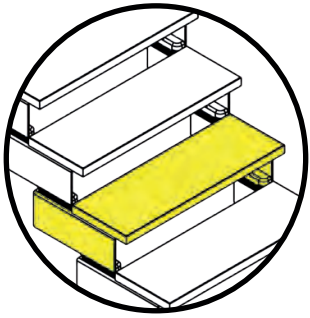


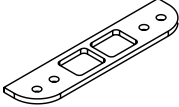
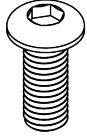
**BM 33**



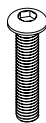
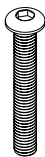
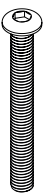
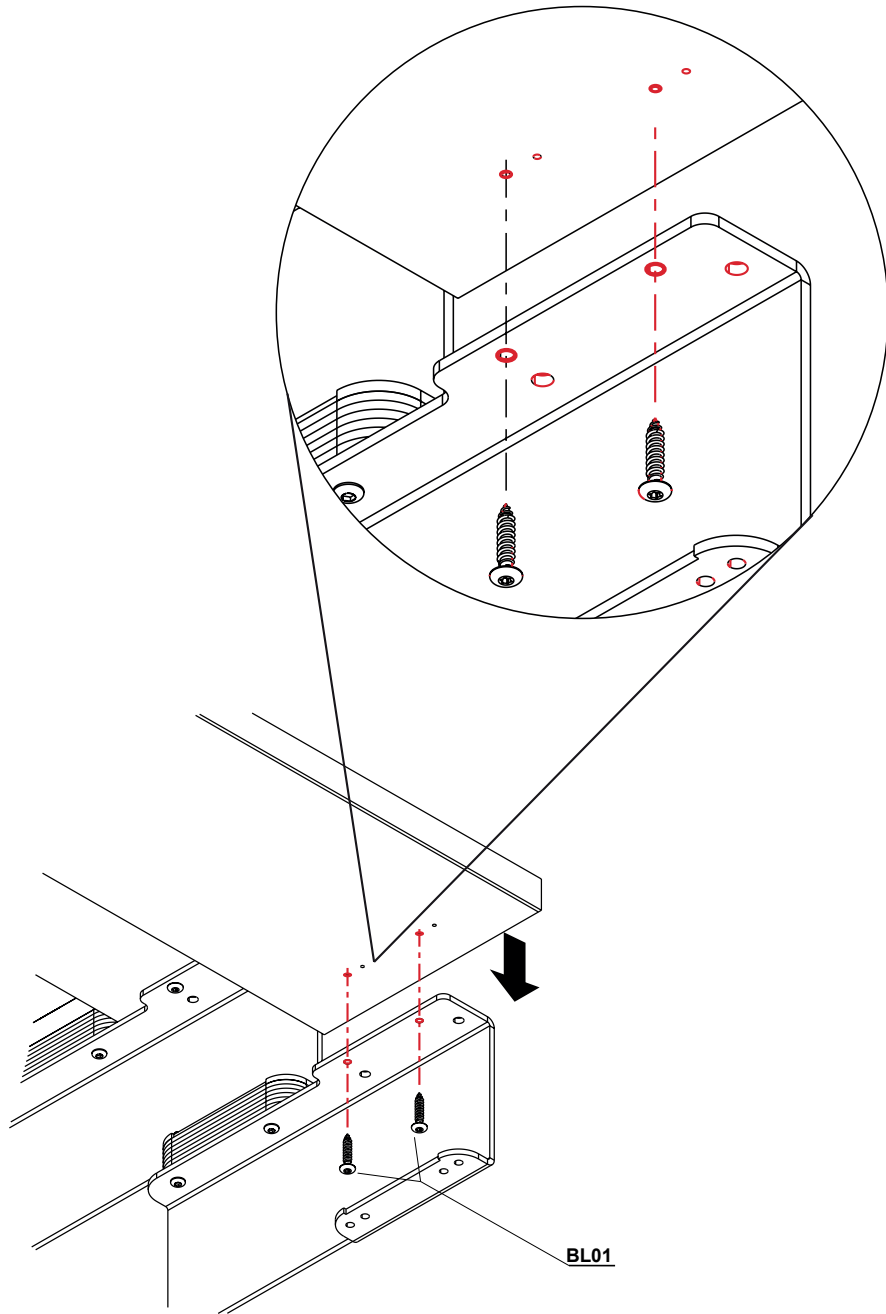
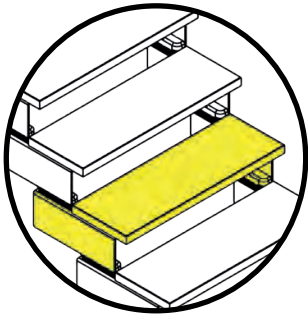
**TN 01**





 <b>D</b>	
1 ÷ 4	BM04 M8X40
4 ÷ 7	BM02 M8X55
7 ÷ 10	BM01 M8X70





**BM 01**

**BM 02**

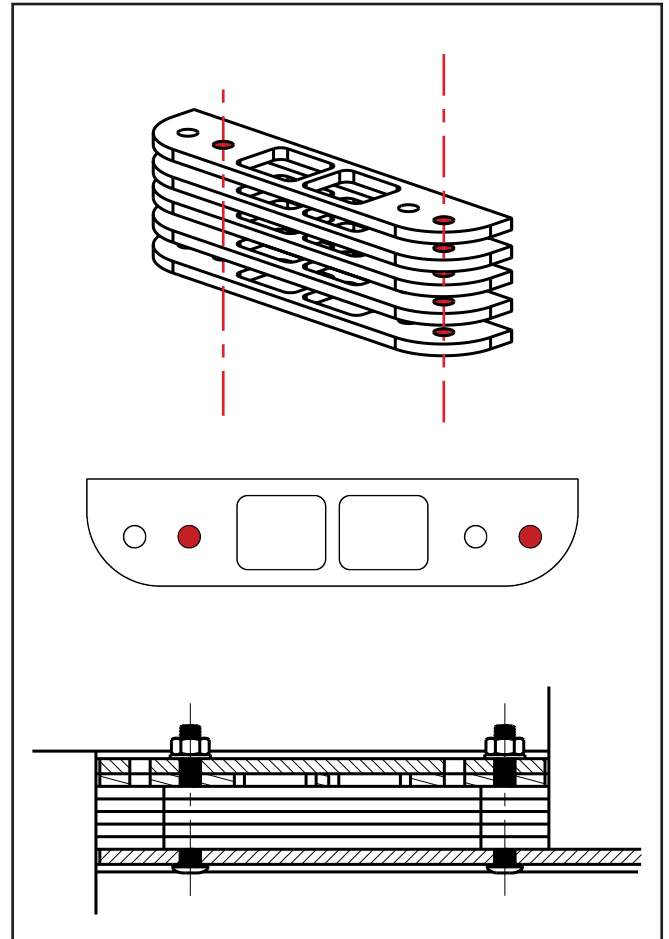
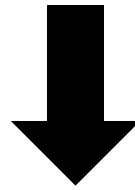
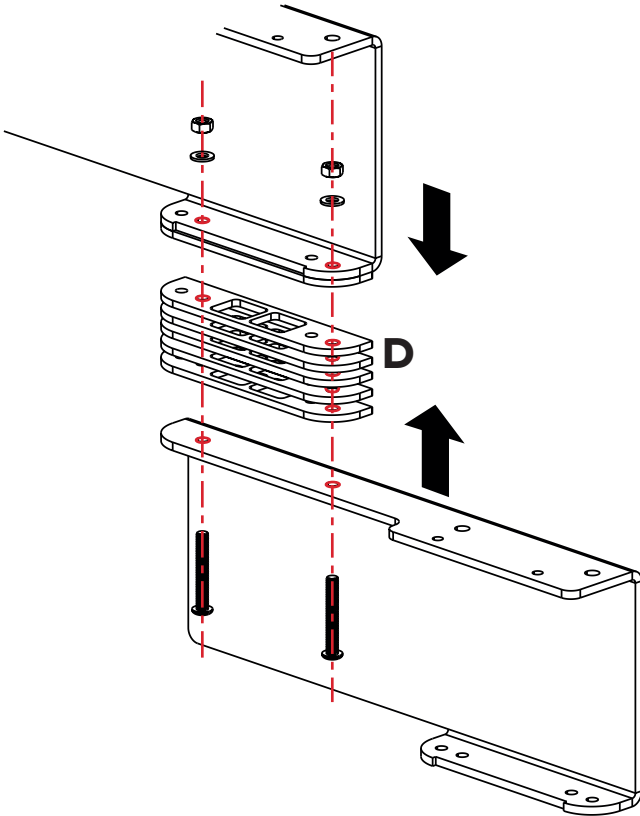
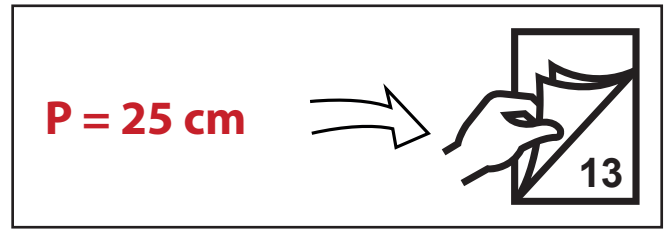
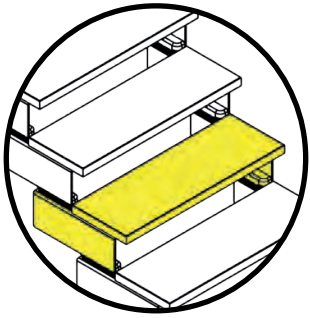
**BM 04**

**BM 032**

**BM 34**

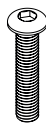
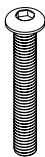
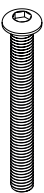
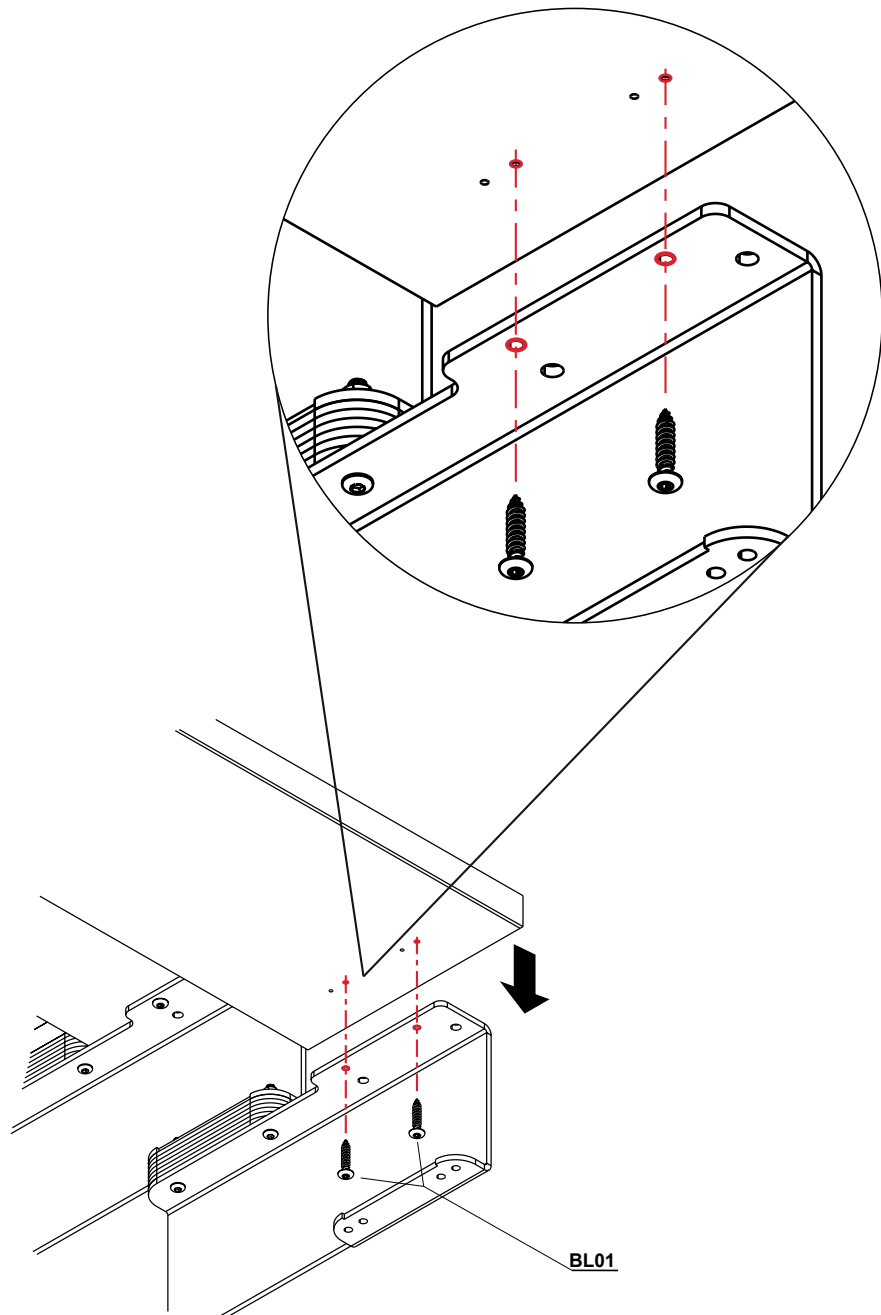
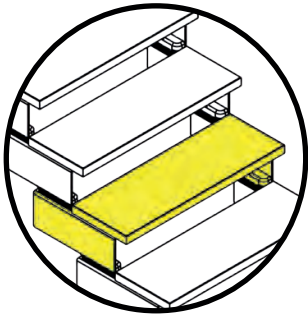
**BL 01**





<b>D</b>	
1 ÷ 4	BM04 M8X40
4 ÷ 7	BM02 M8X55
7 ÷ 10	BM01 M8X70





**BM 01**

**BM 02**

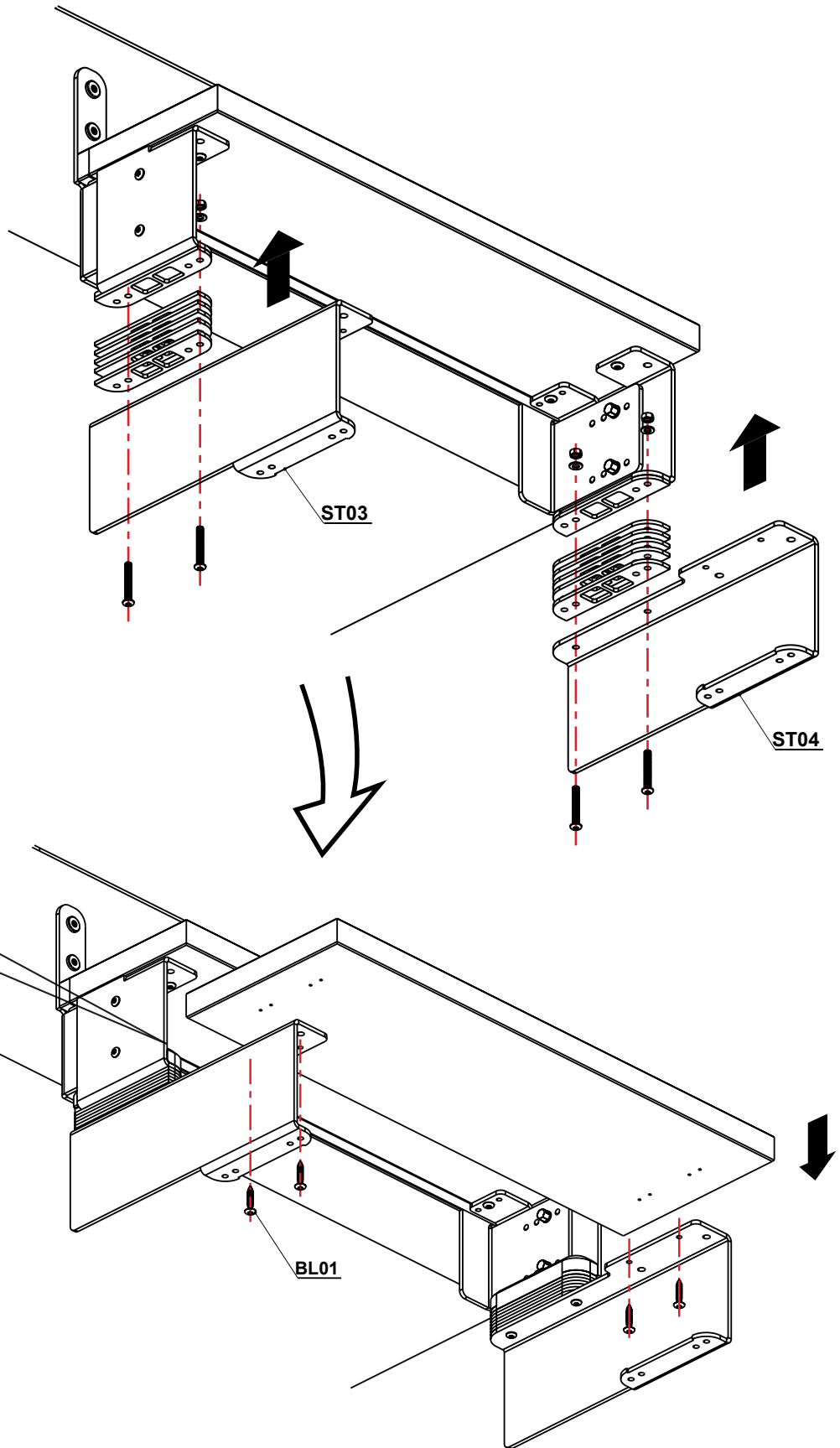
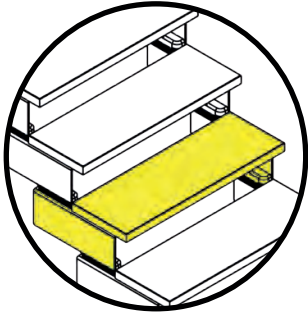
**BM 04**

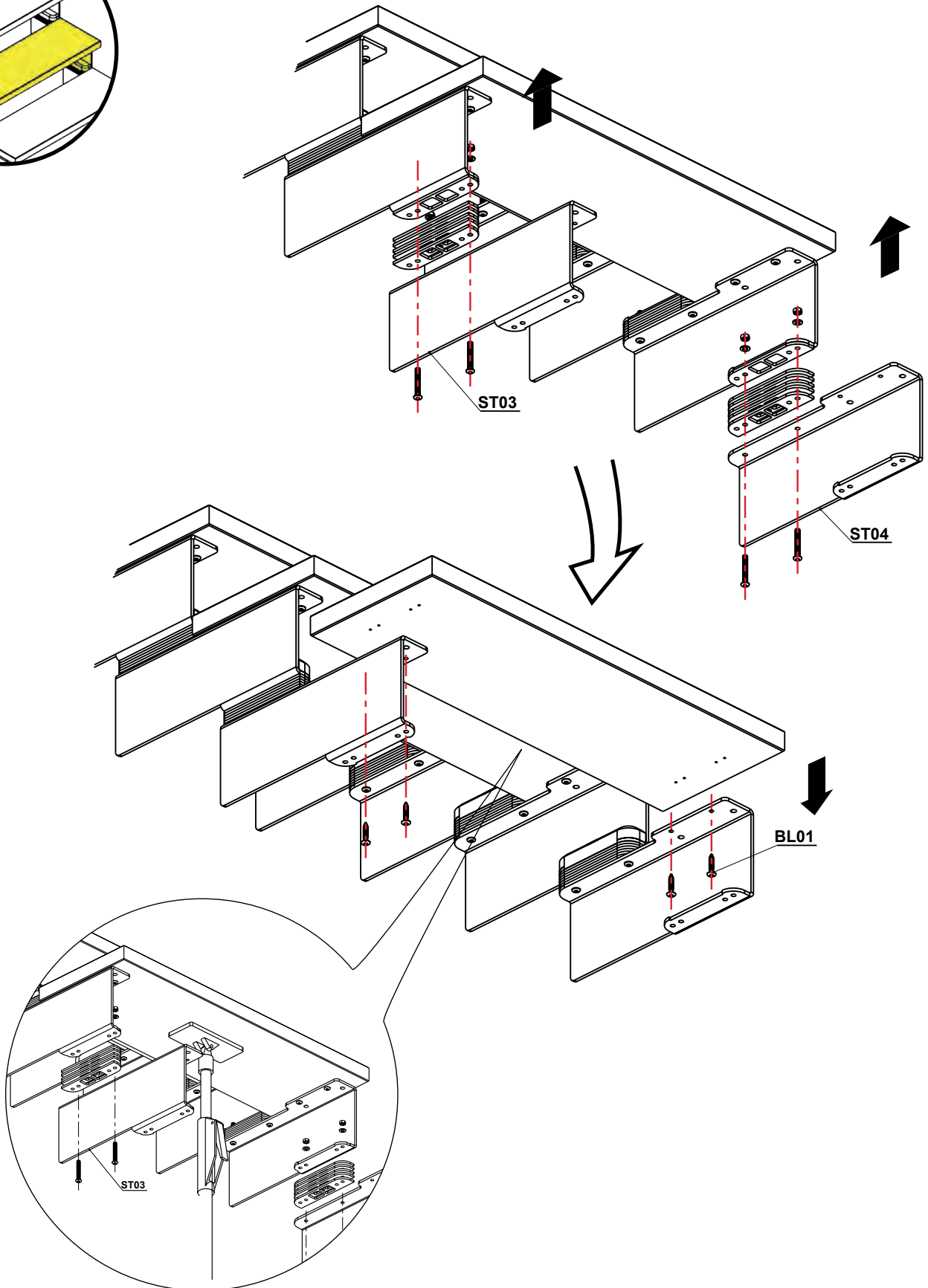
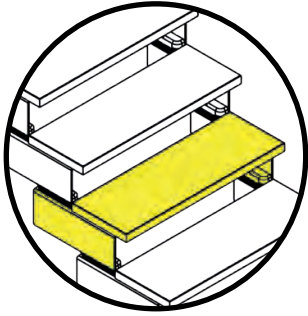
**BM 032**

**BM 34**

**BL 01**



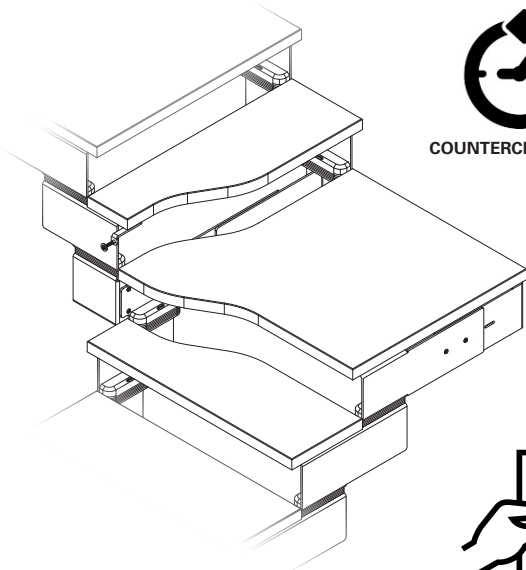
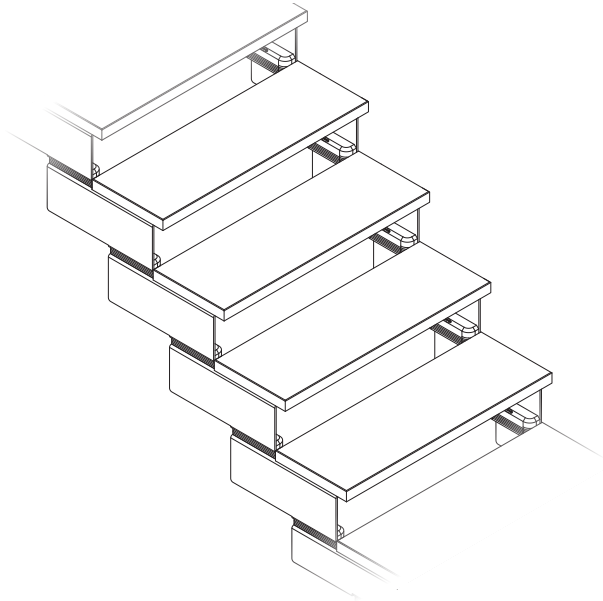




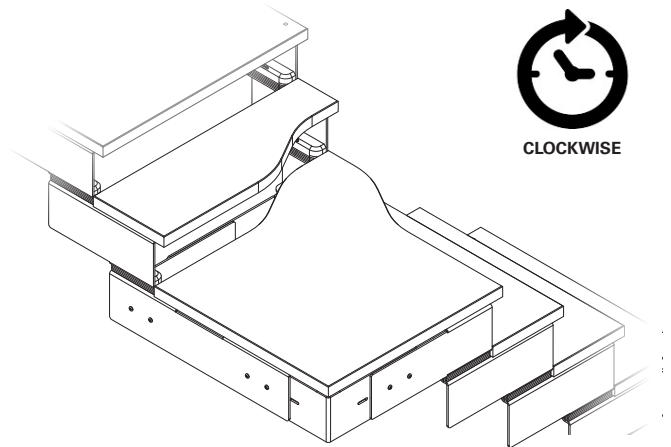
	Composity structure and steps installation manual. <b>Configuration I - L</b>	Code	Rev. <b>1</b>	Date <b>29-07-2016</b>
---	---	------	------------------	---------------------------



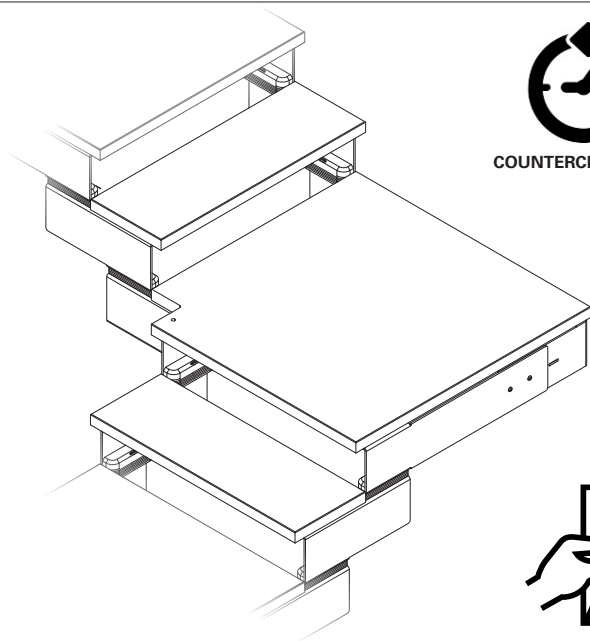
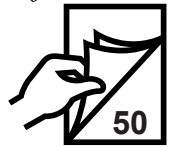




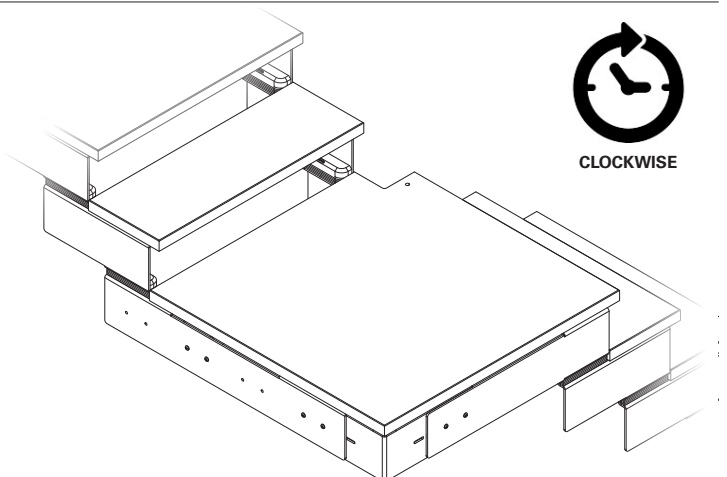
COUNTERCLOCKWISE



CLOCKWISE

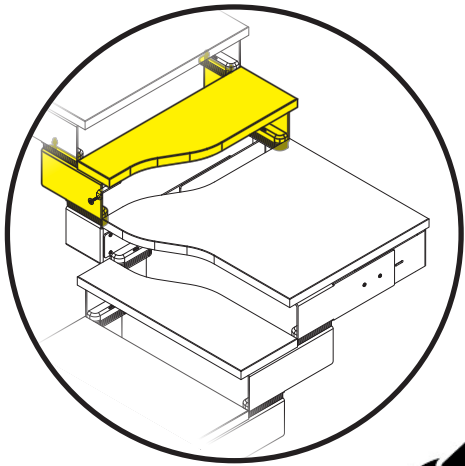


COUNTERCLOCKWISE

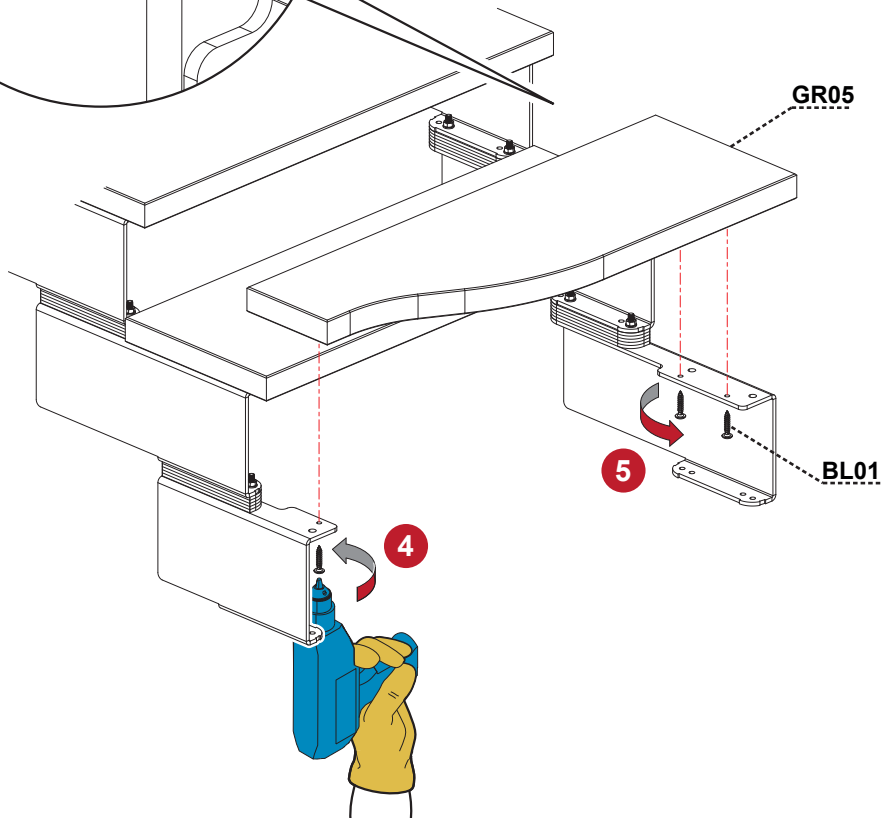
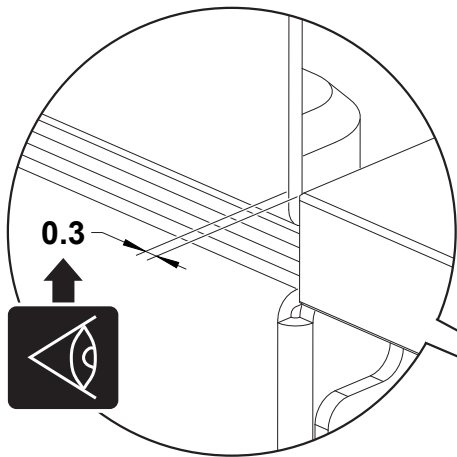
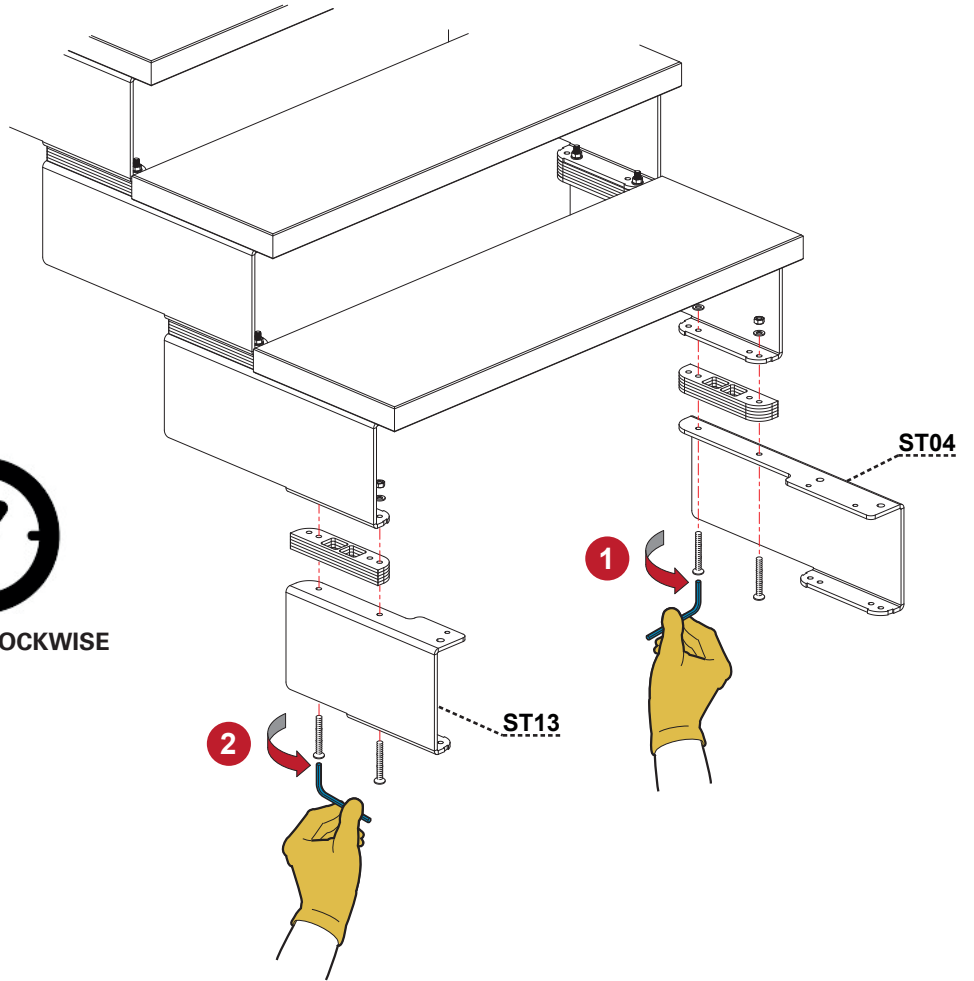


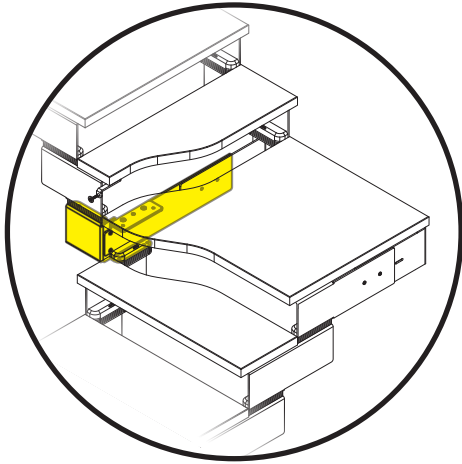
CLOCKWISE





COUNTERCLOCKWISE

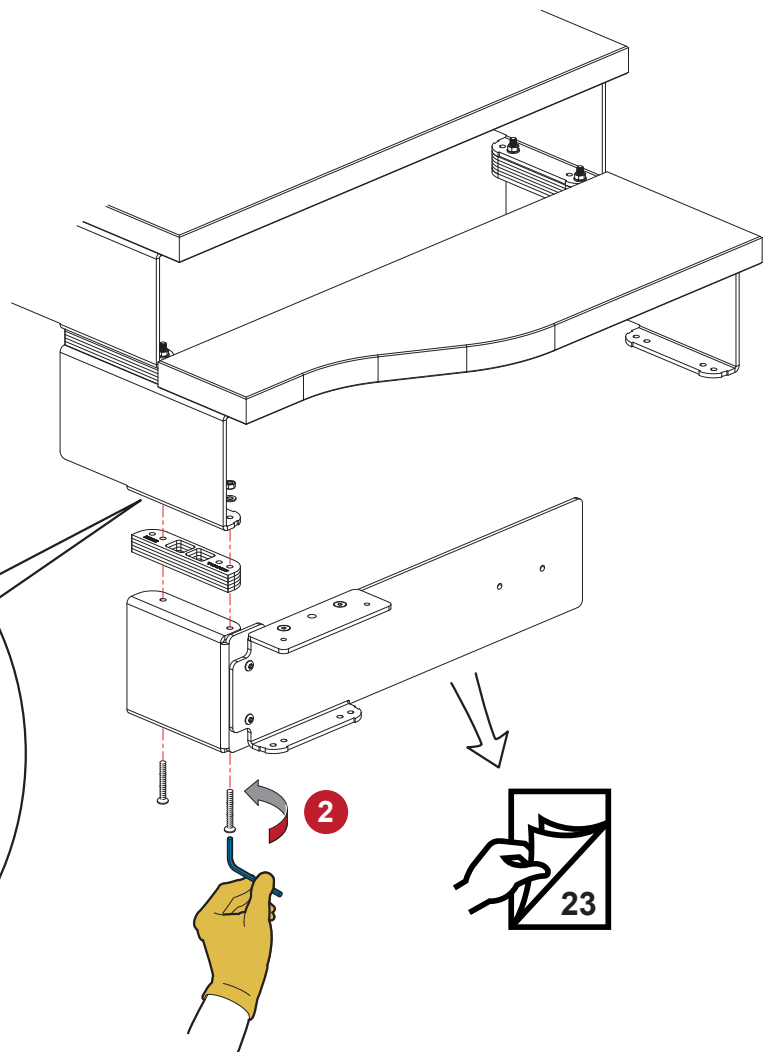
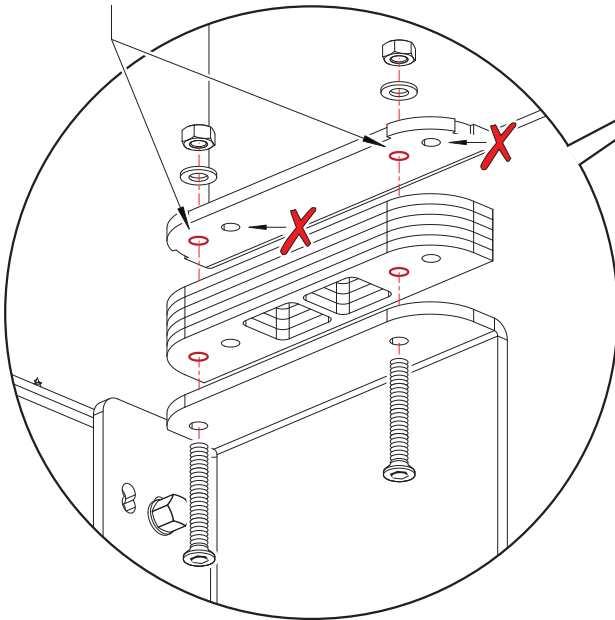


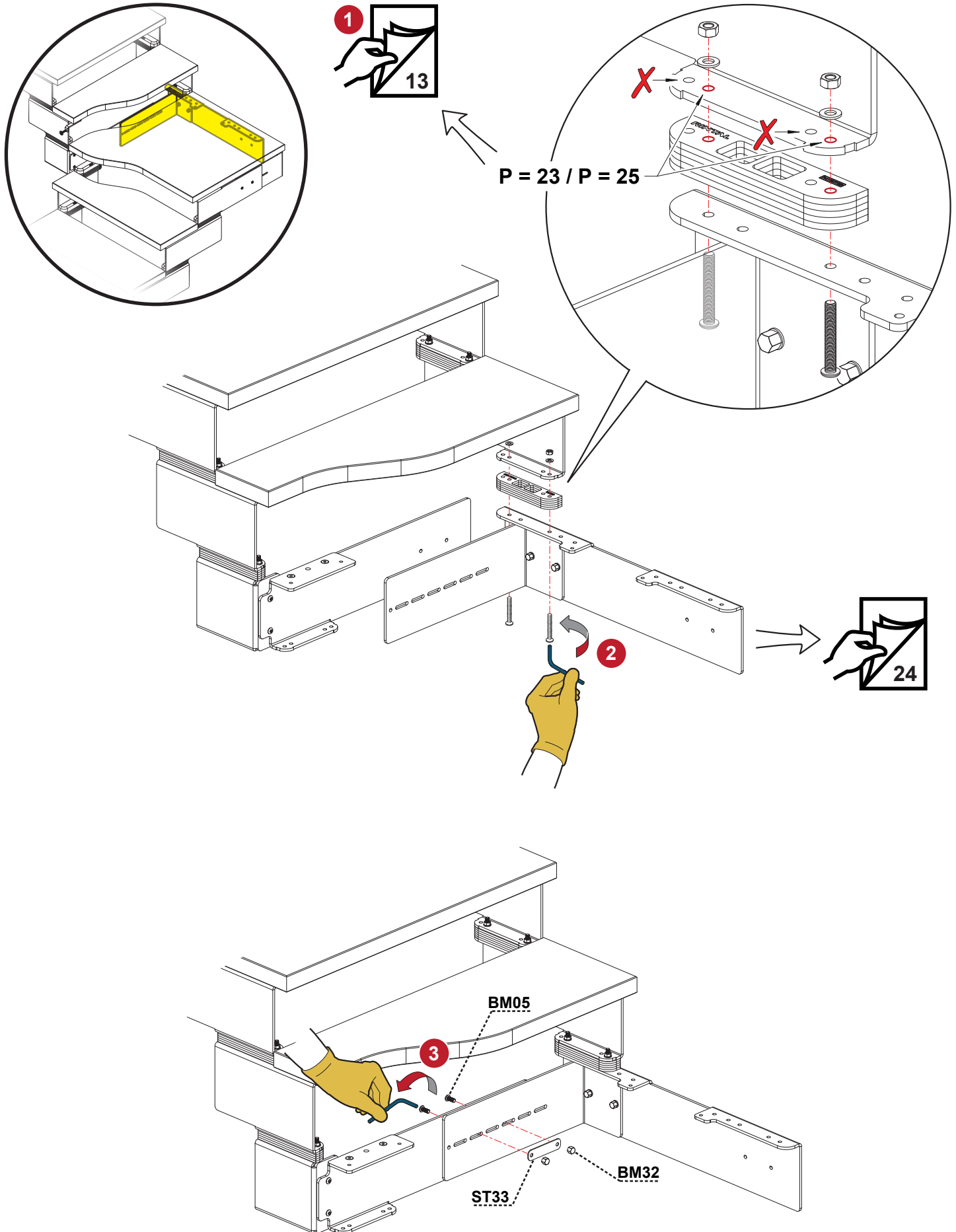


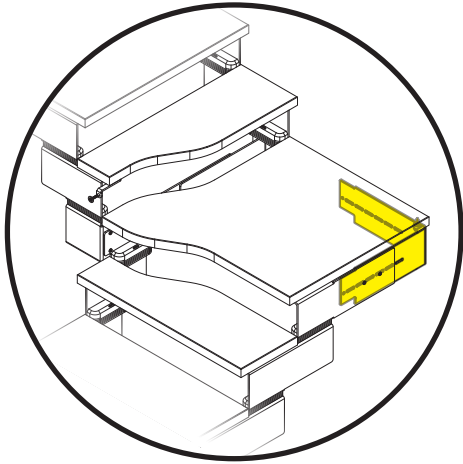
COUNTERCLOCKWISE



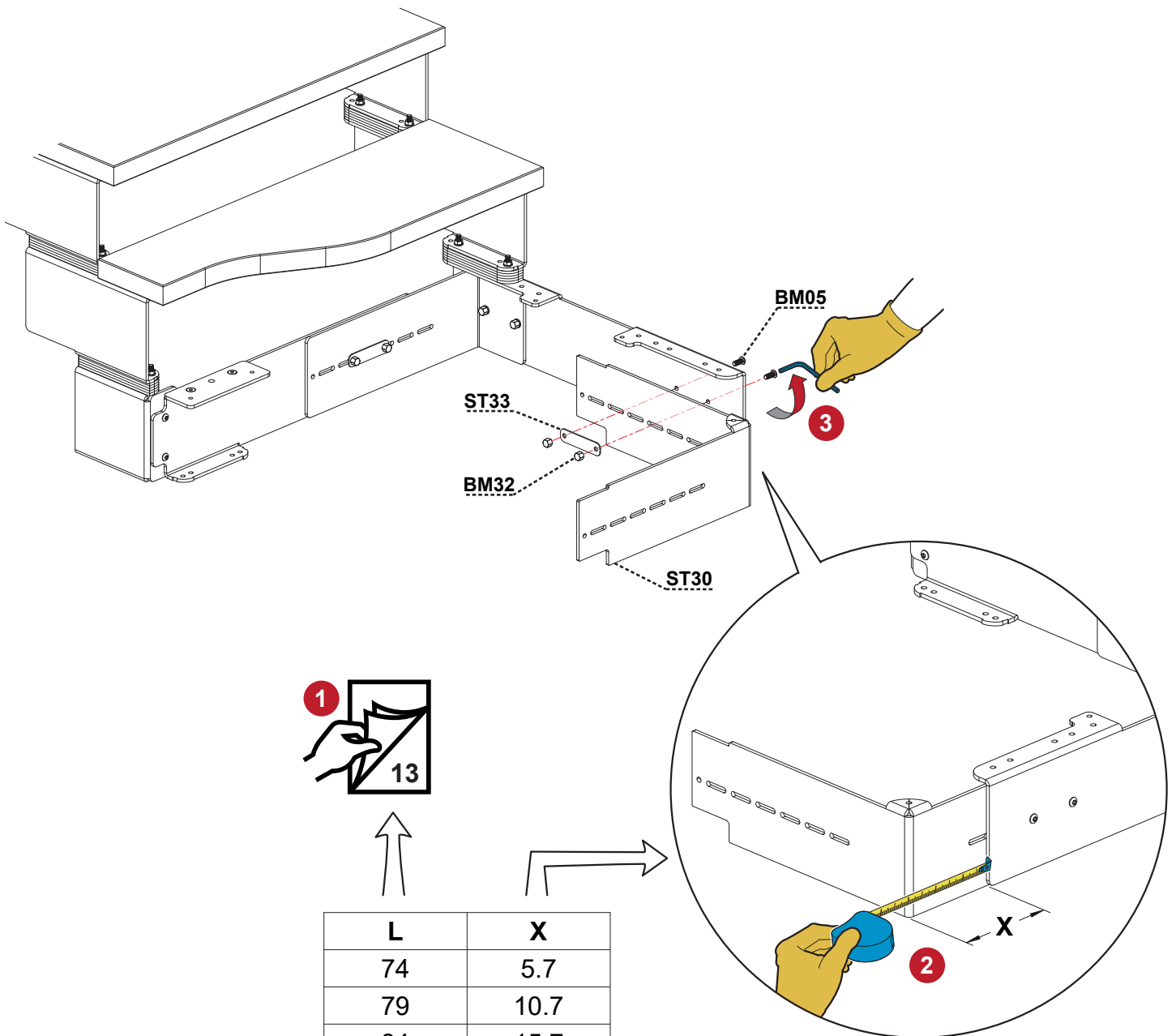
P = 23 / P = 25





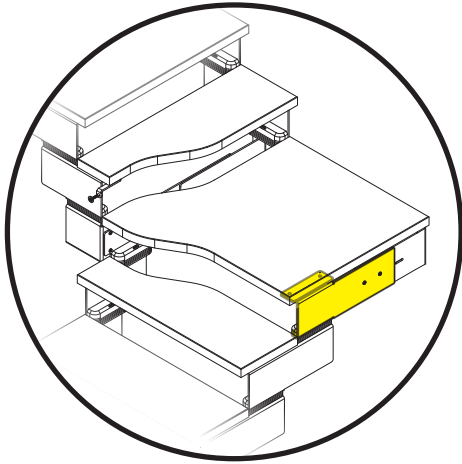


COUNTERCLOCKWISE



L	X
74	5.7
79	10.7
84	15.7
89	20.7
94	25.7

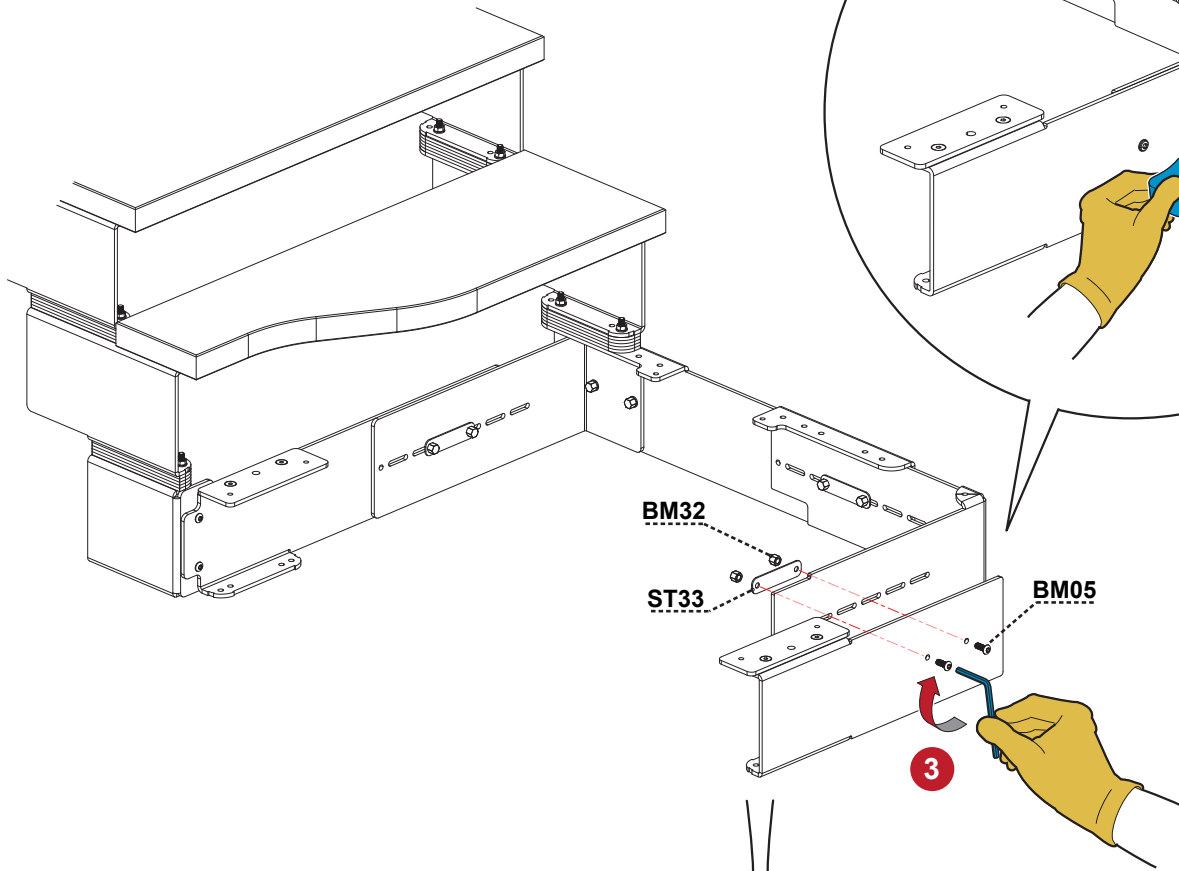
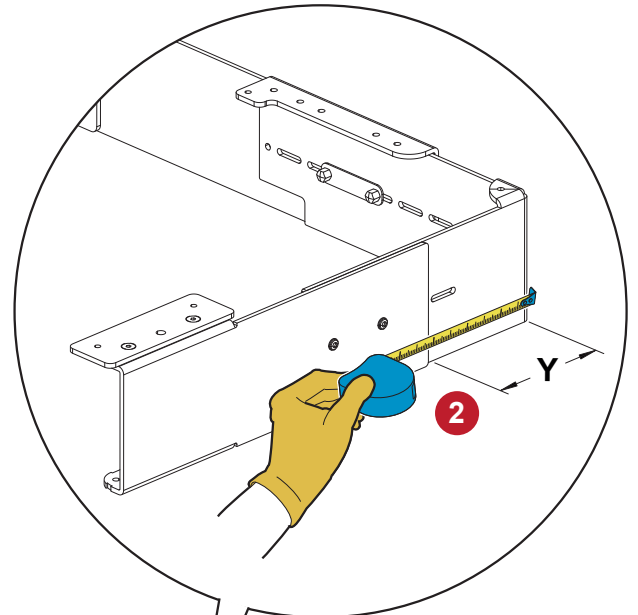


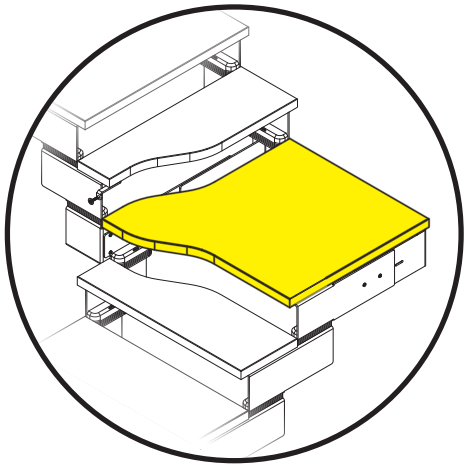


	P = 23	P = 25
L	Y	Y
74	5.1	7.1
79	10.1	12.1
84	15.1	17.1
89	20.1	22.1
94	25.1	27.1

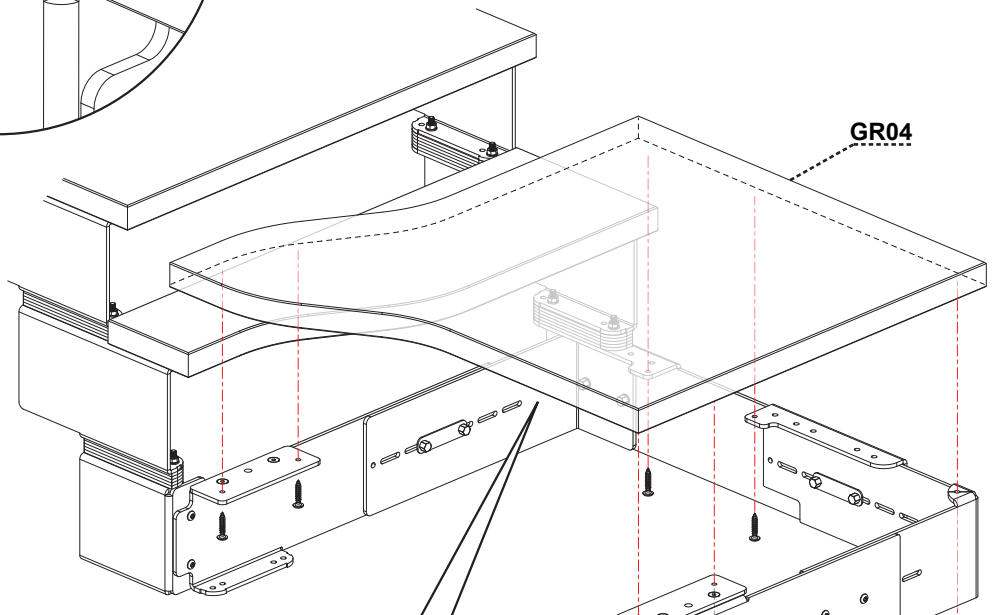
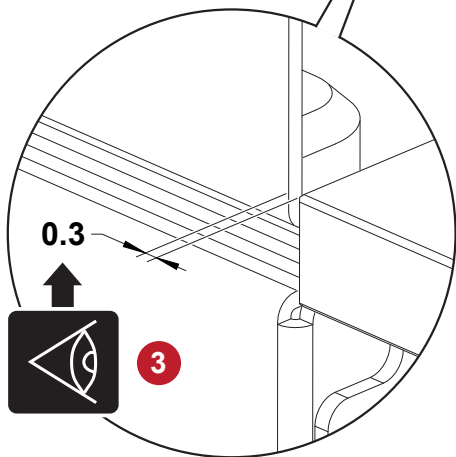
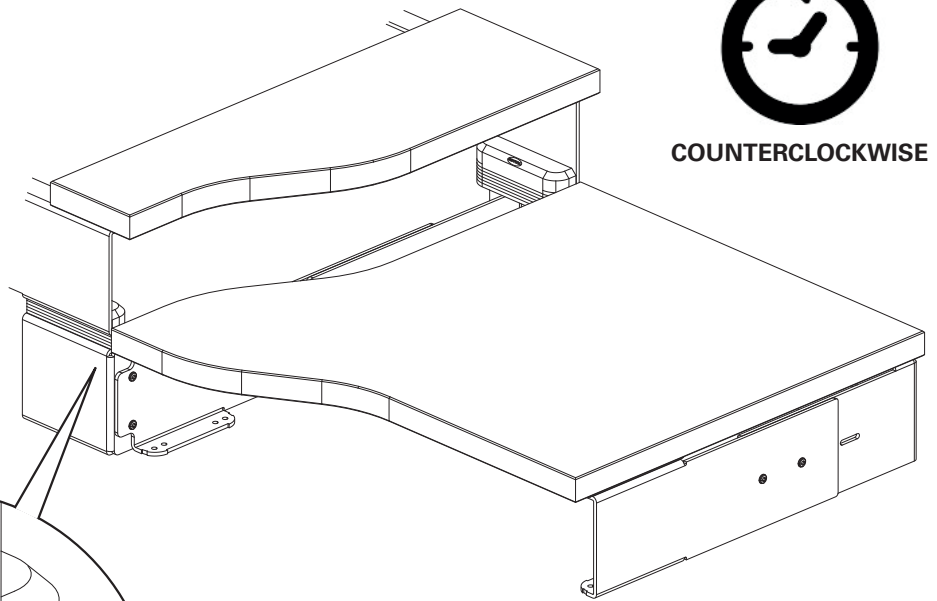


COUNTERCLOCKWISE





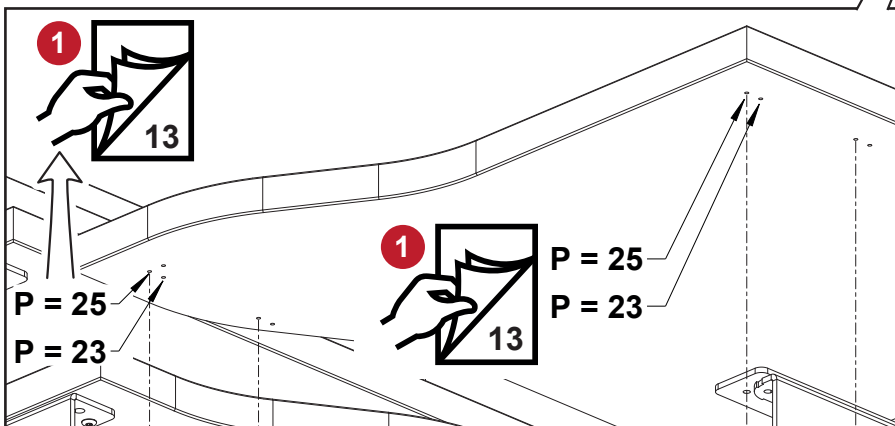
COUNTERCLOCKWISE



GR04

2

BL01



1



13

P = 25

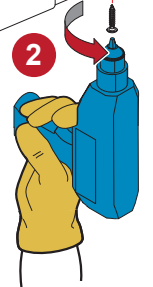
P = 23

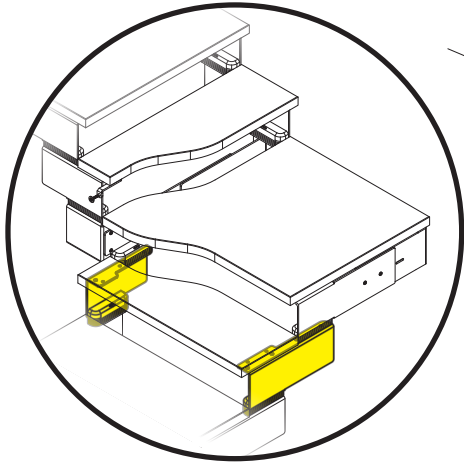
1



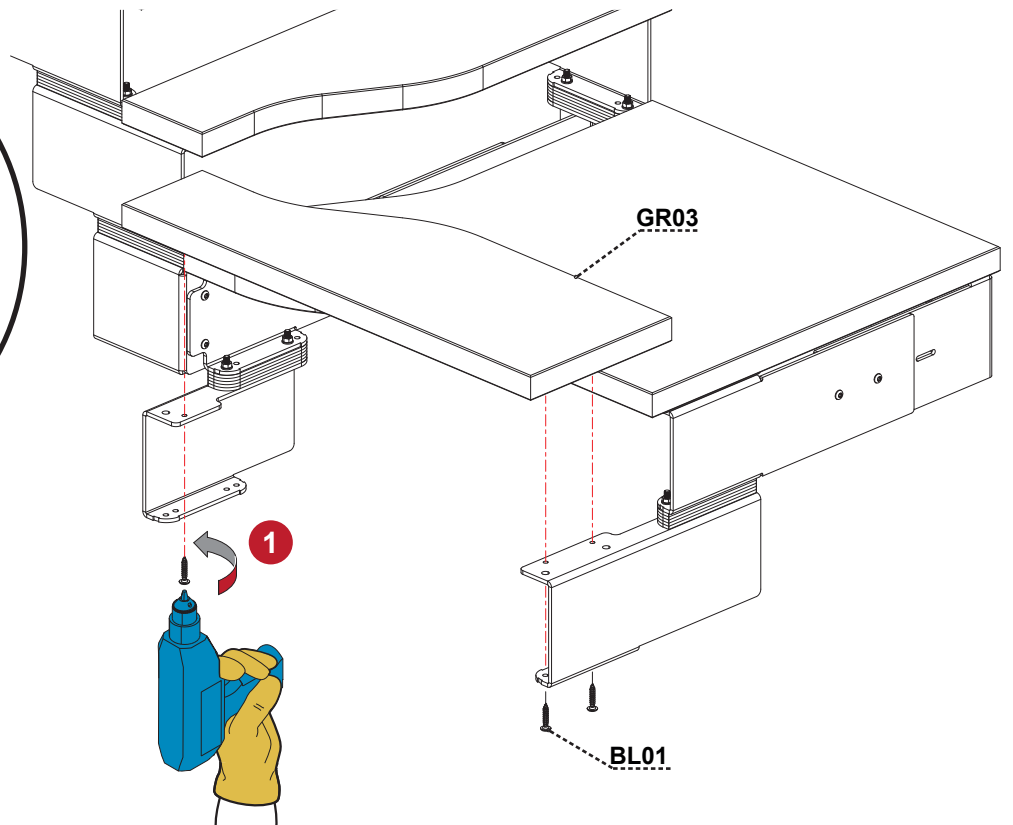
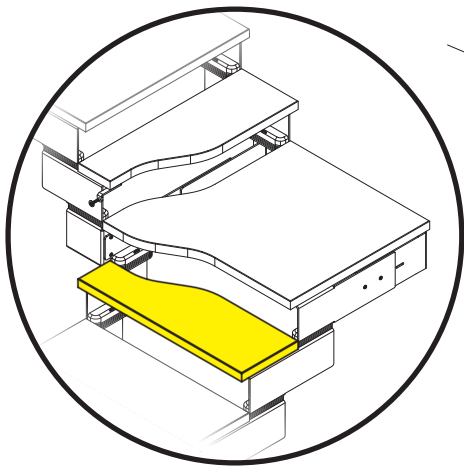
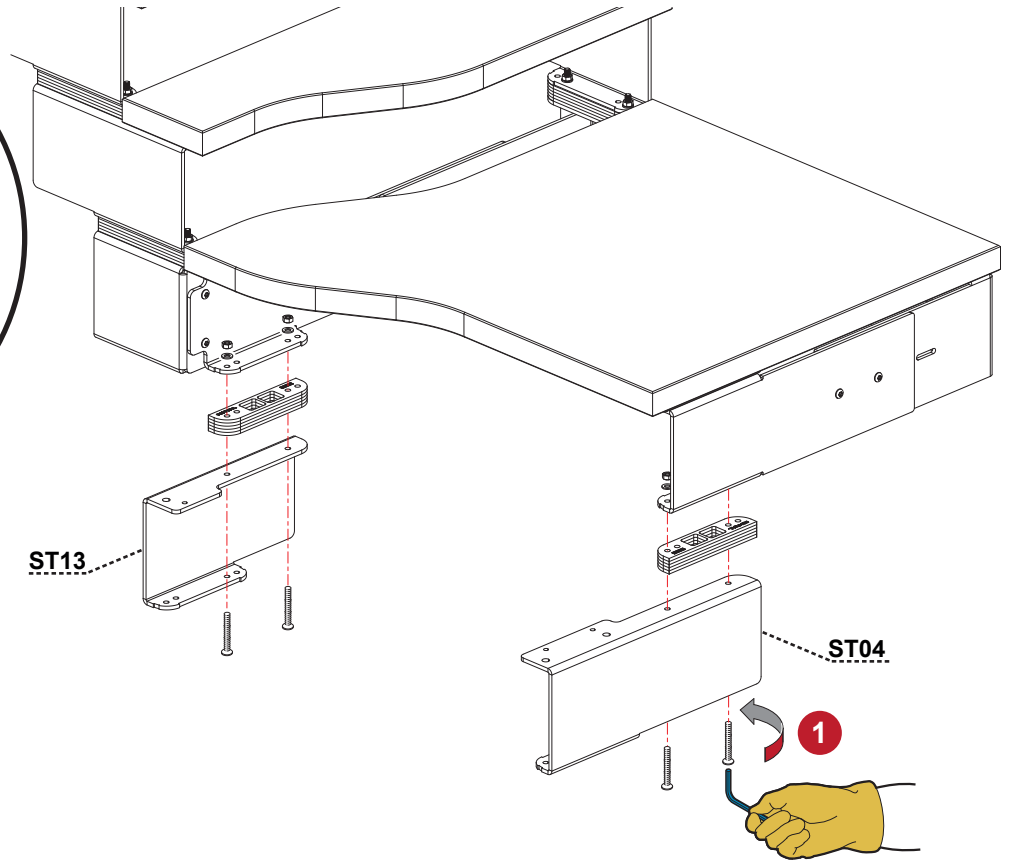
P = 25

P = 23

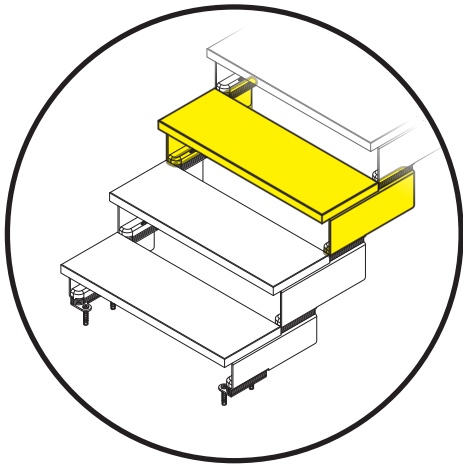




COUNTERCLOCKWISE







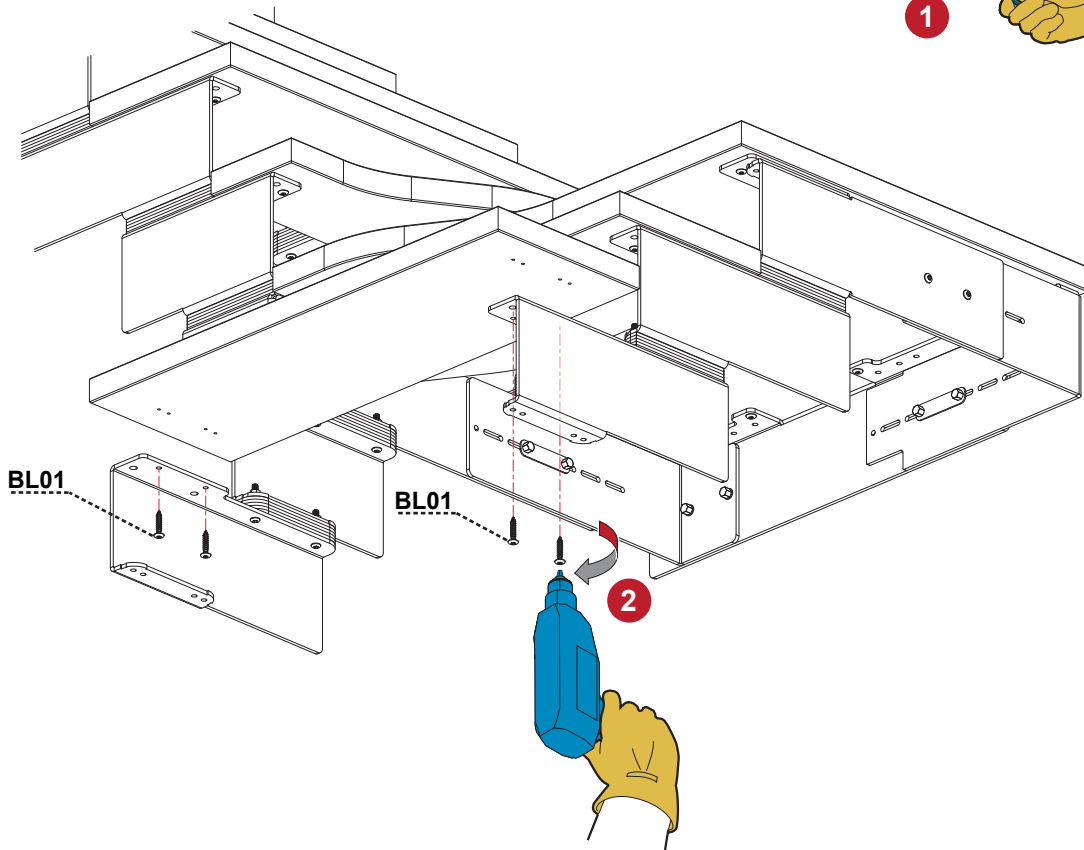
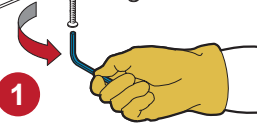
COUNTERCLOCKWISE

ST03



ST04

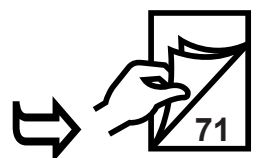
1

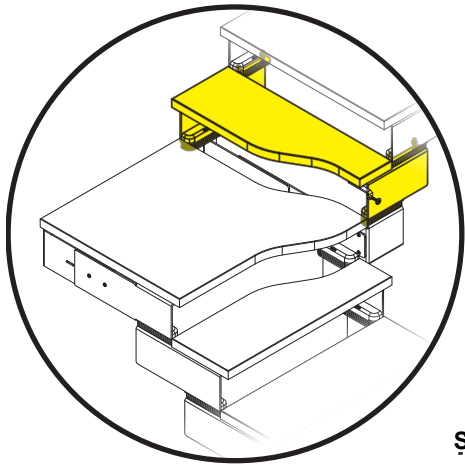


BL01

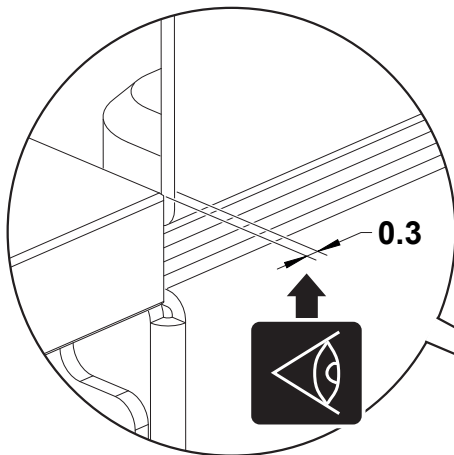
BL01

2





CLOCKWISE



ST03

1

ST14

2

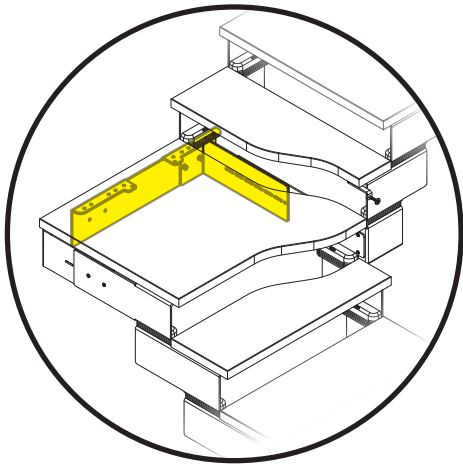
GR03

BL01

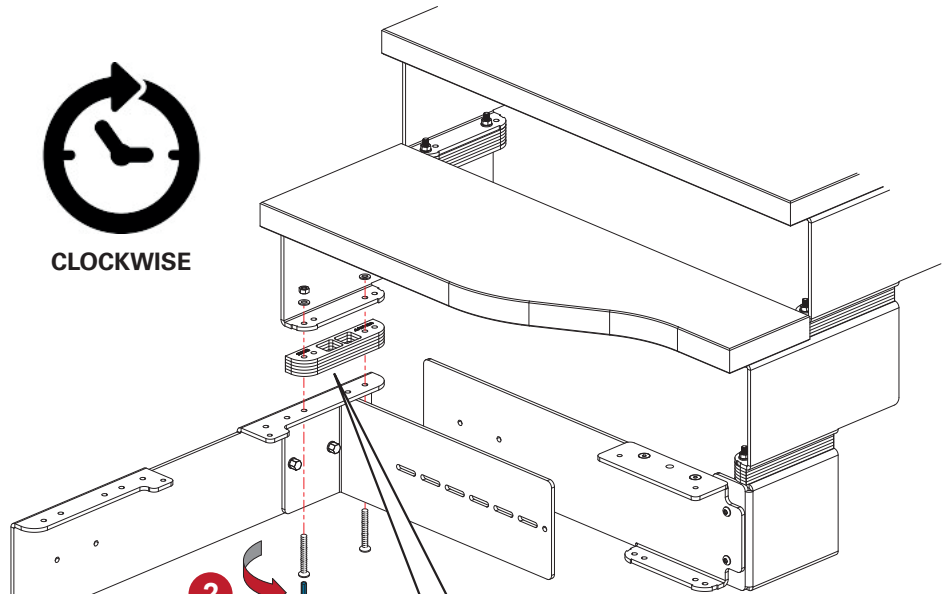
4

3





CLOCKWISE

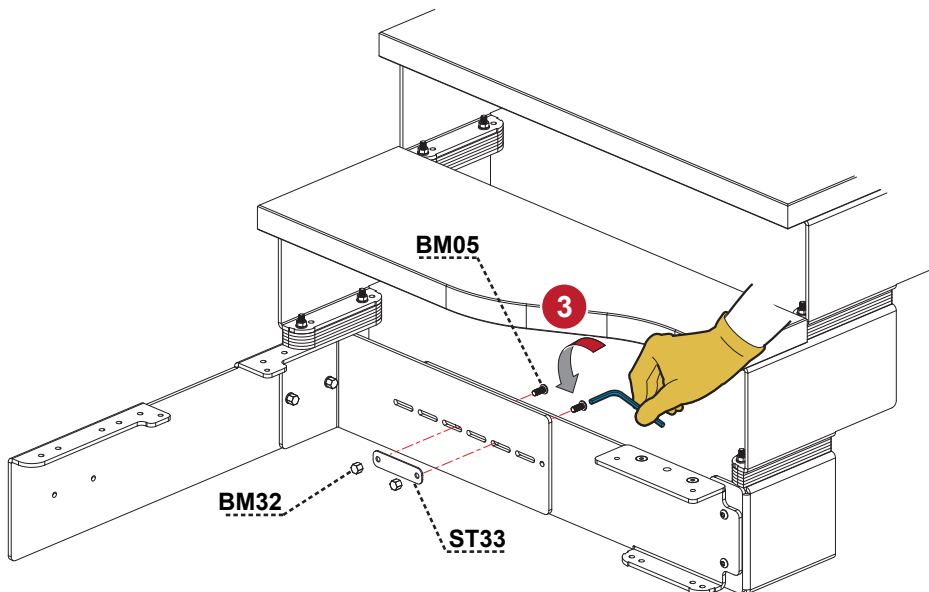
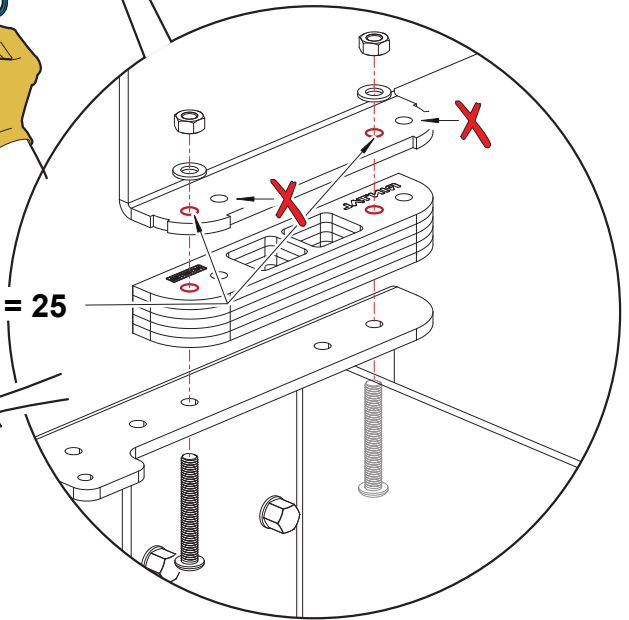


2

P = 23 / P = 25



1



3

BM05

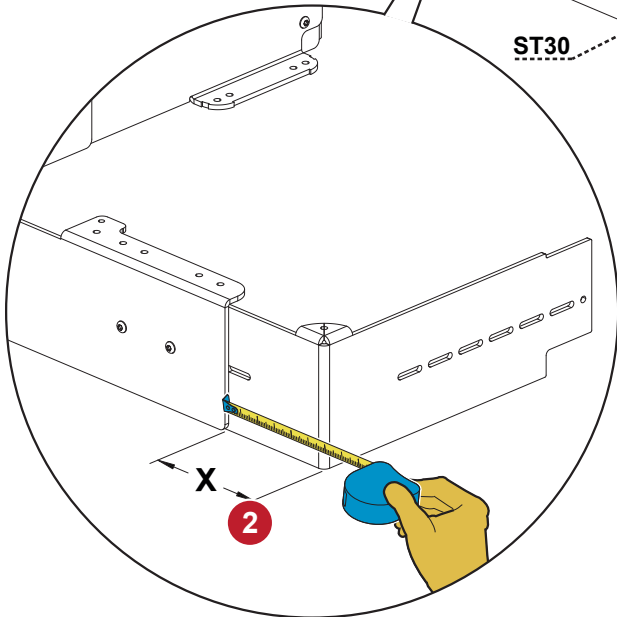
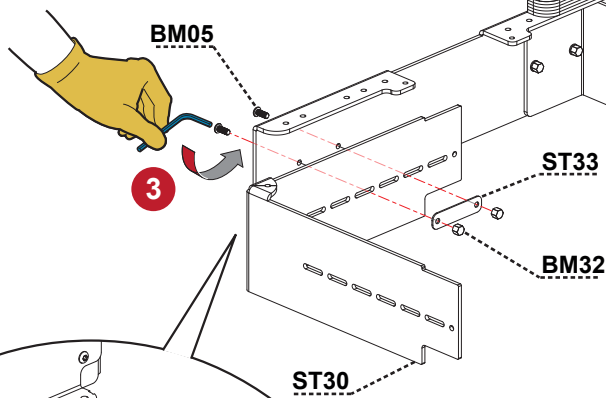
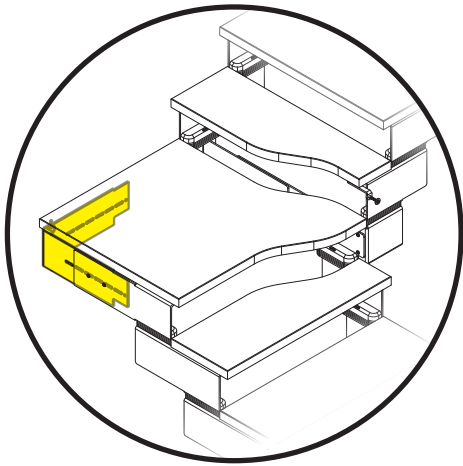
BM32

ST33



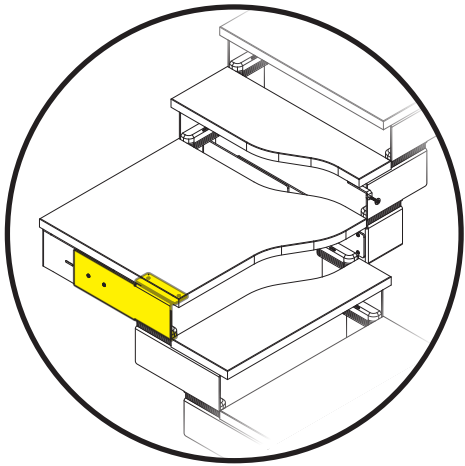


CLOCKWISE

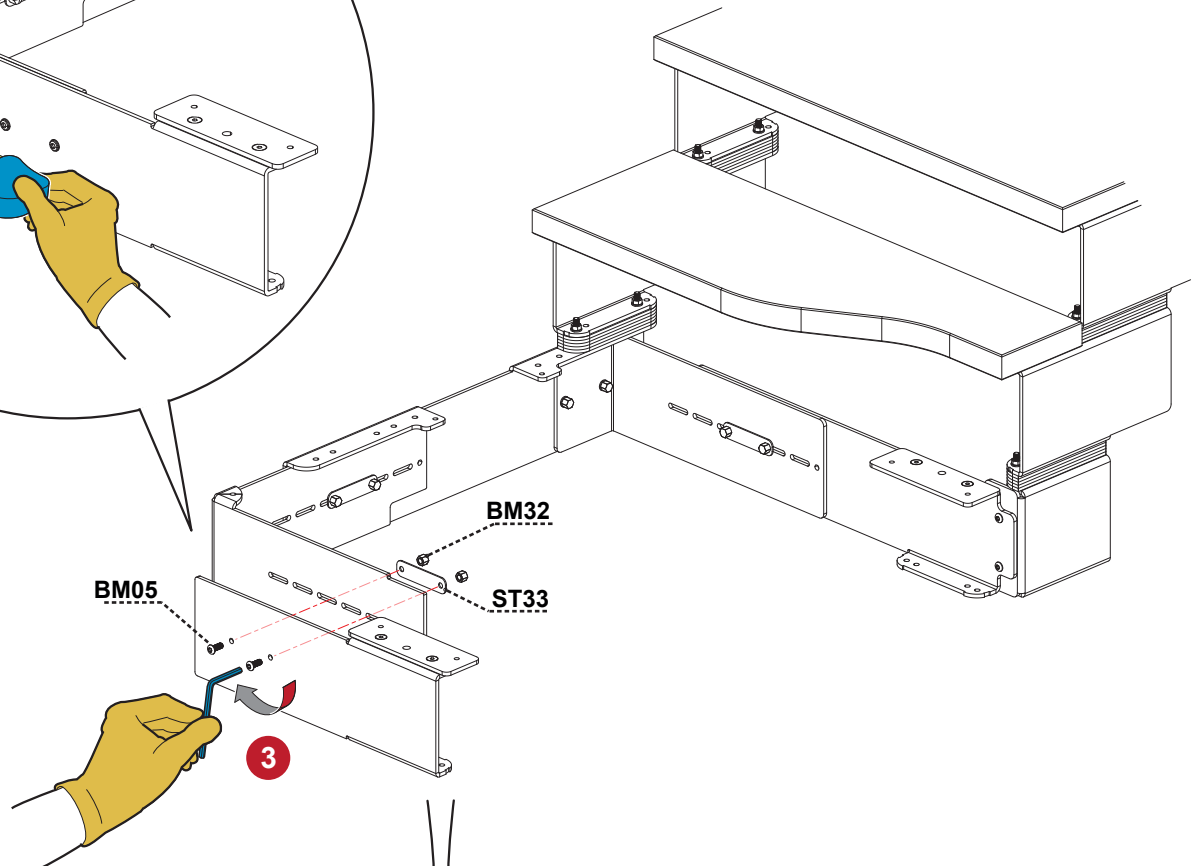
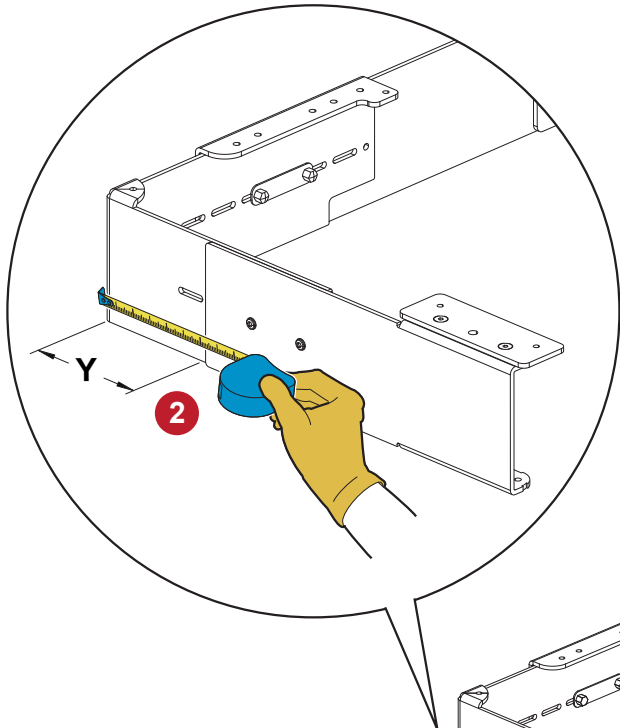
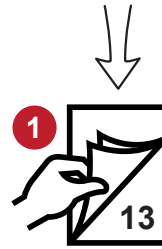


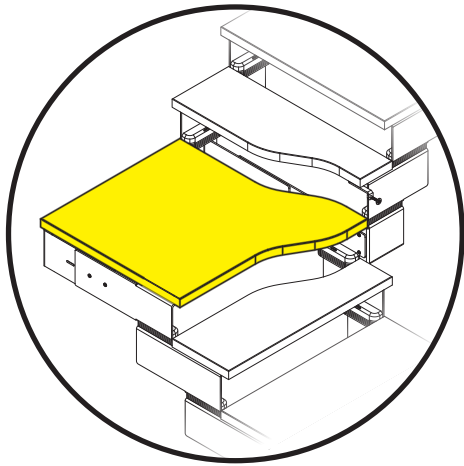
L	X
74	5.7
79	10.7
84	15.7
89	20.7
94	25.7



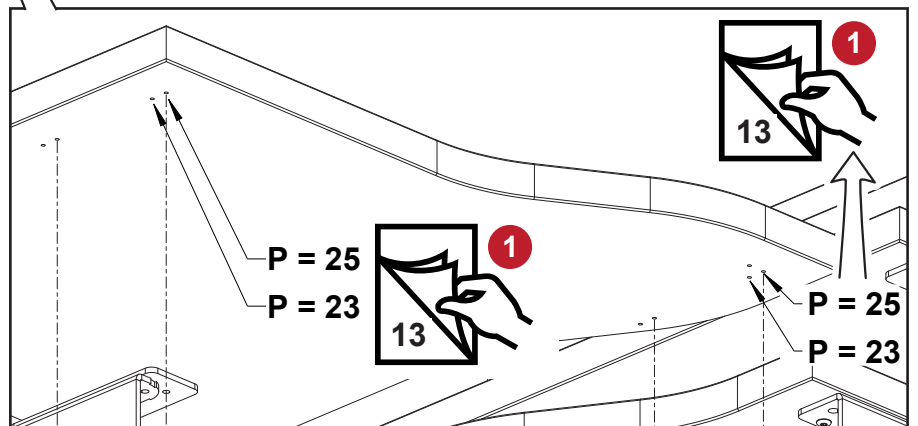
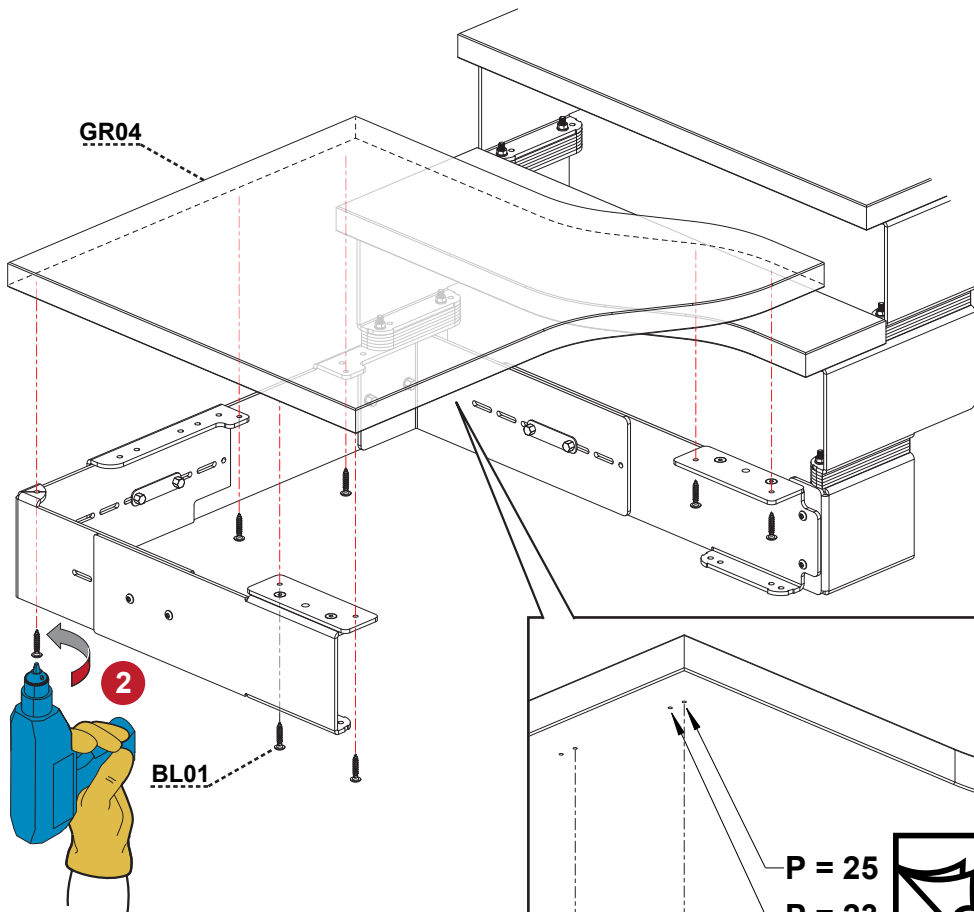
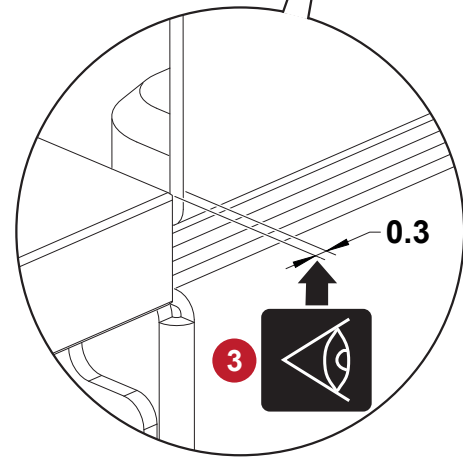
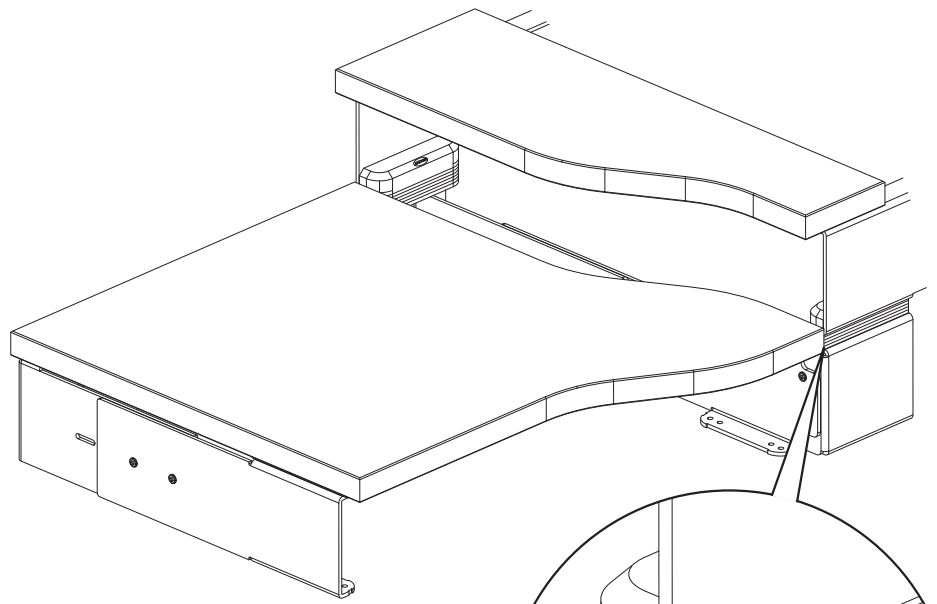


	P = 23	P = 25
L	Y	Y
74	5.1	7.1
79	10.1	12.1
84	15.1	17.1
89	20.1	22.1
94	25.1	27.1



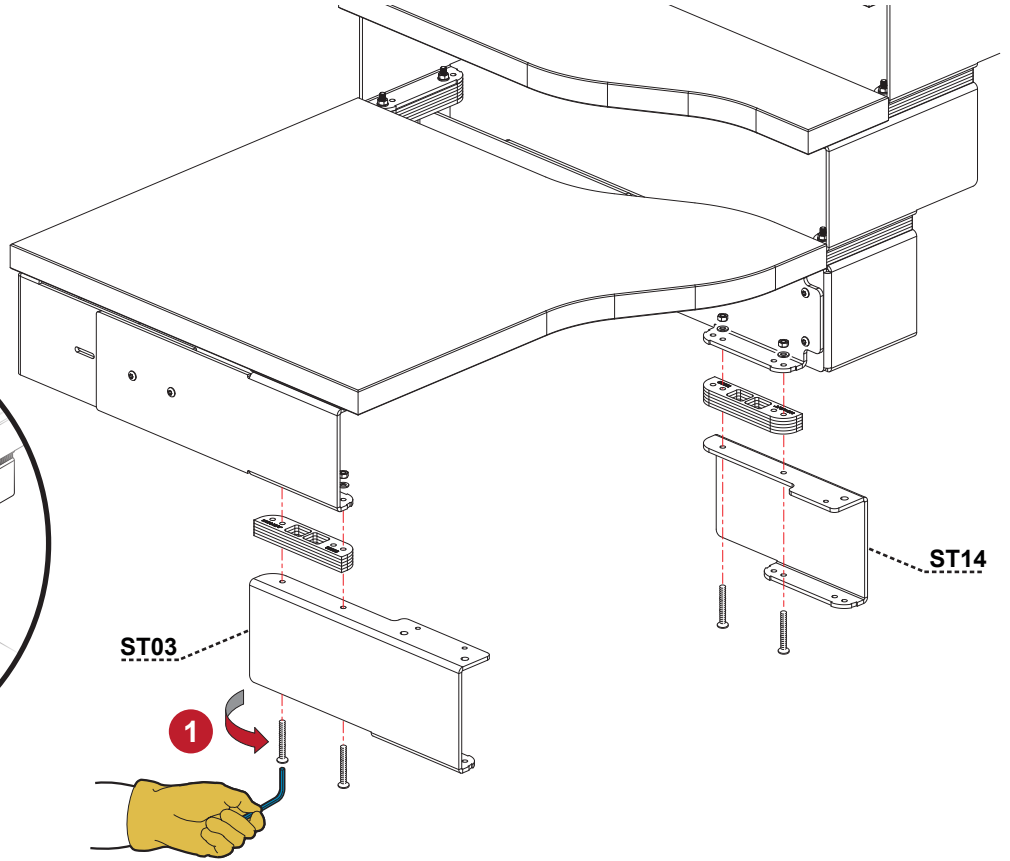
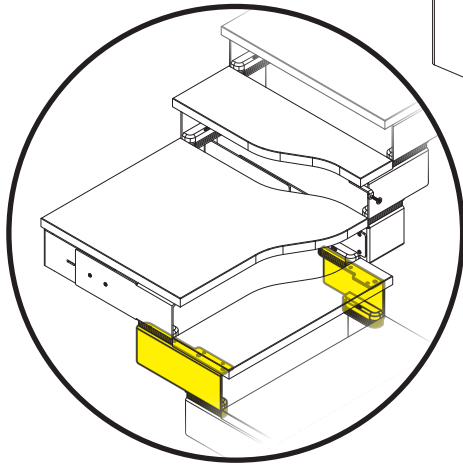


CLOCKWISE

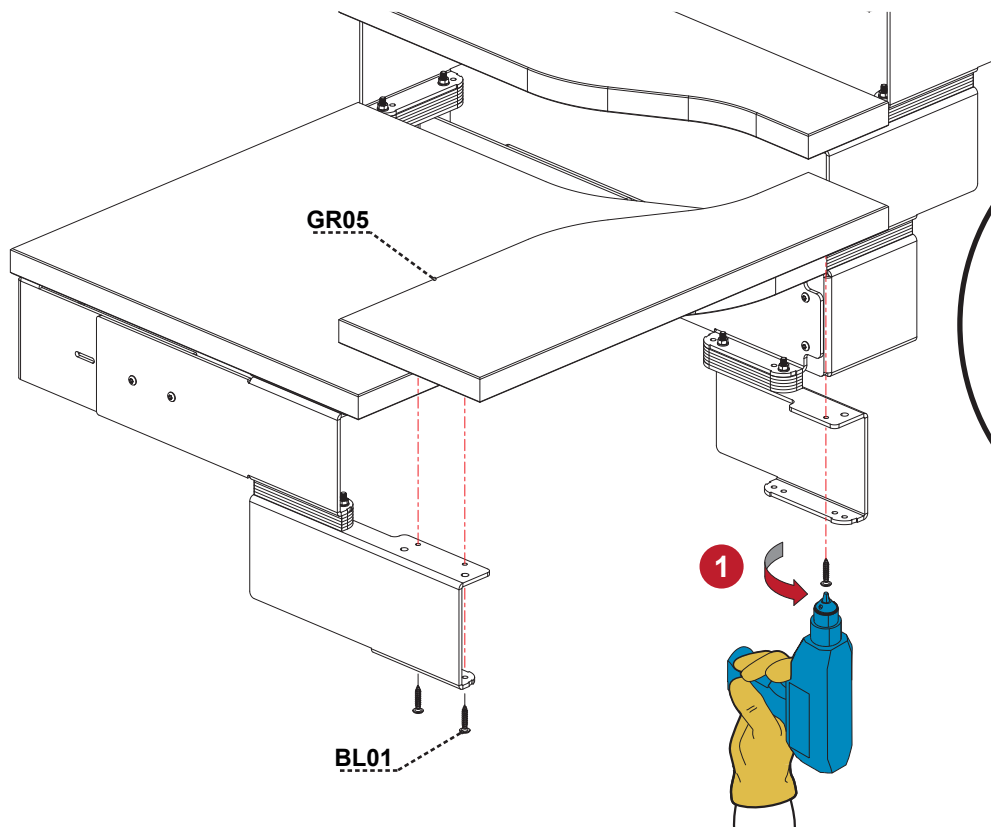
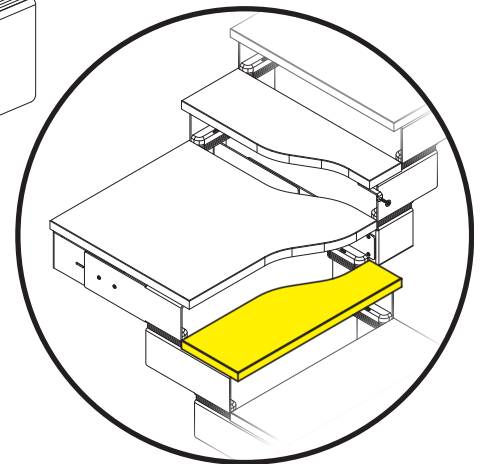


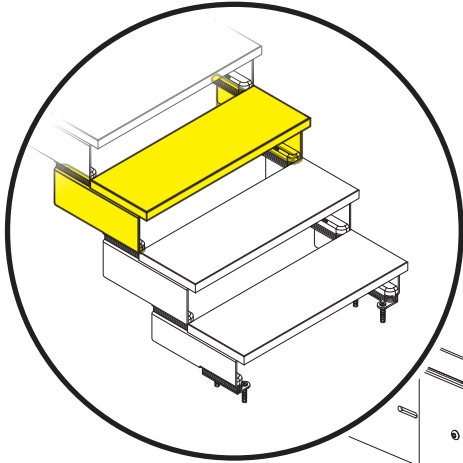


CLOCKWISE

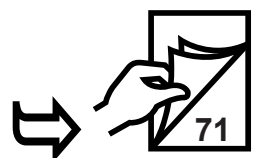
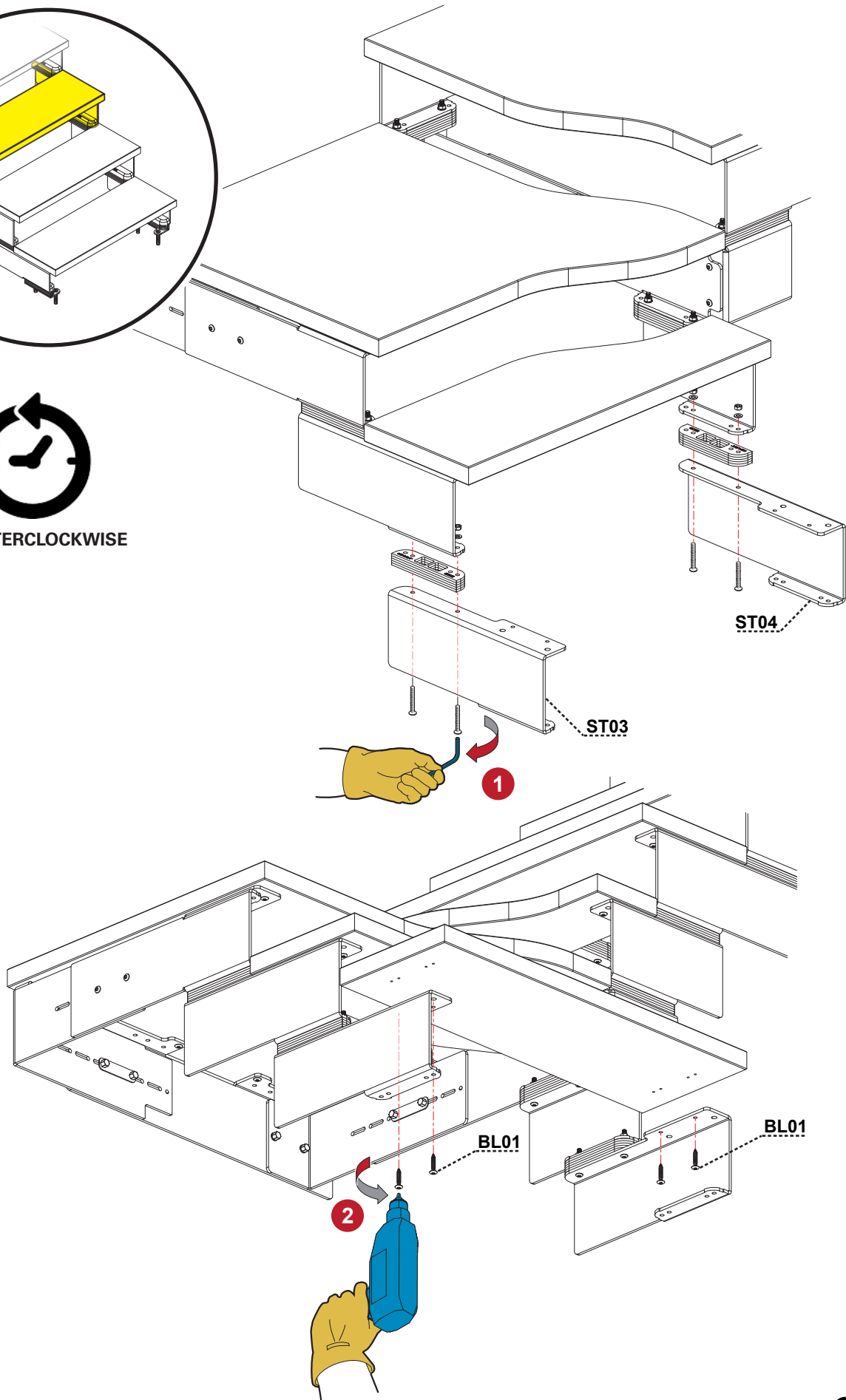


CLOCKWISE

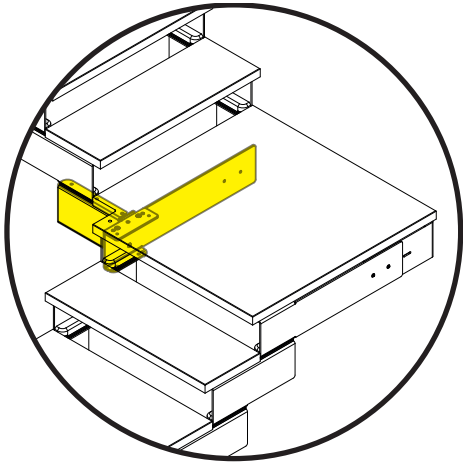




COUNTERCLOCKWISE







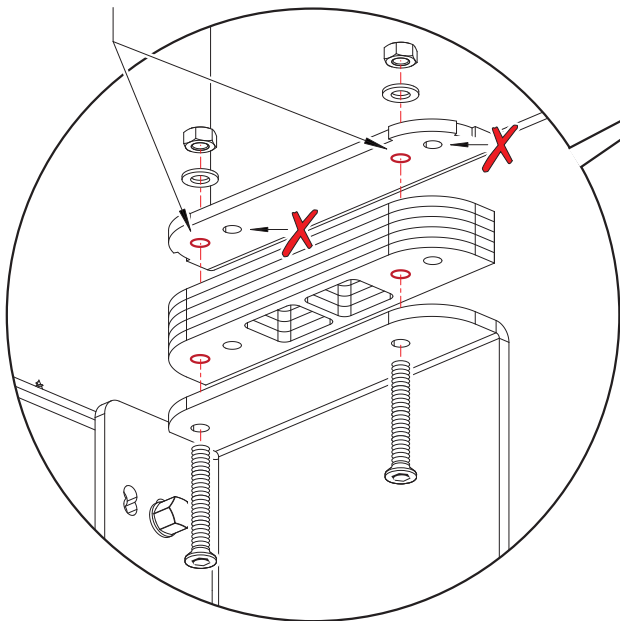
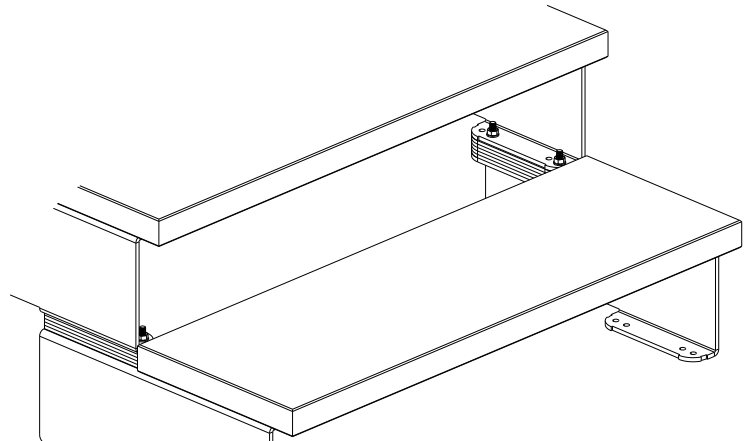
COUNTERCLOCKWISE



1

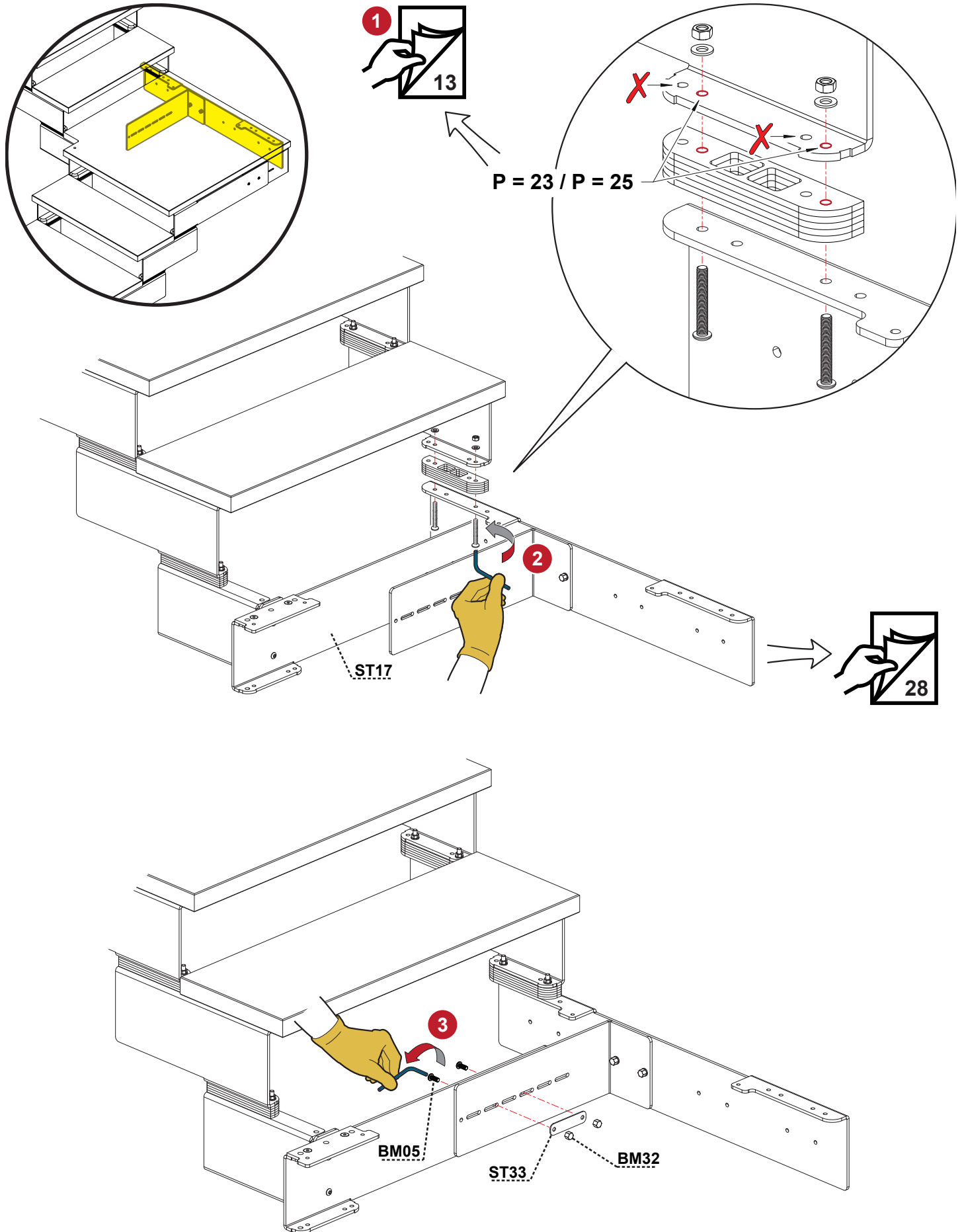


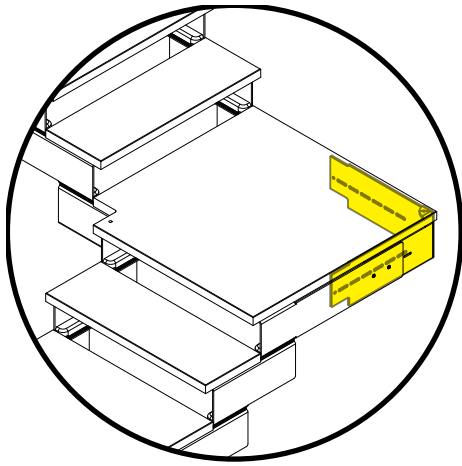
P = 23 / P = 25



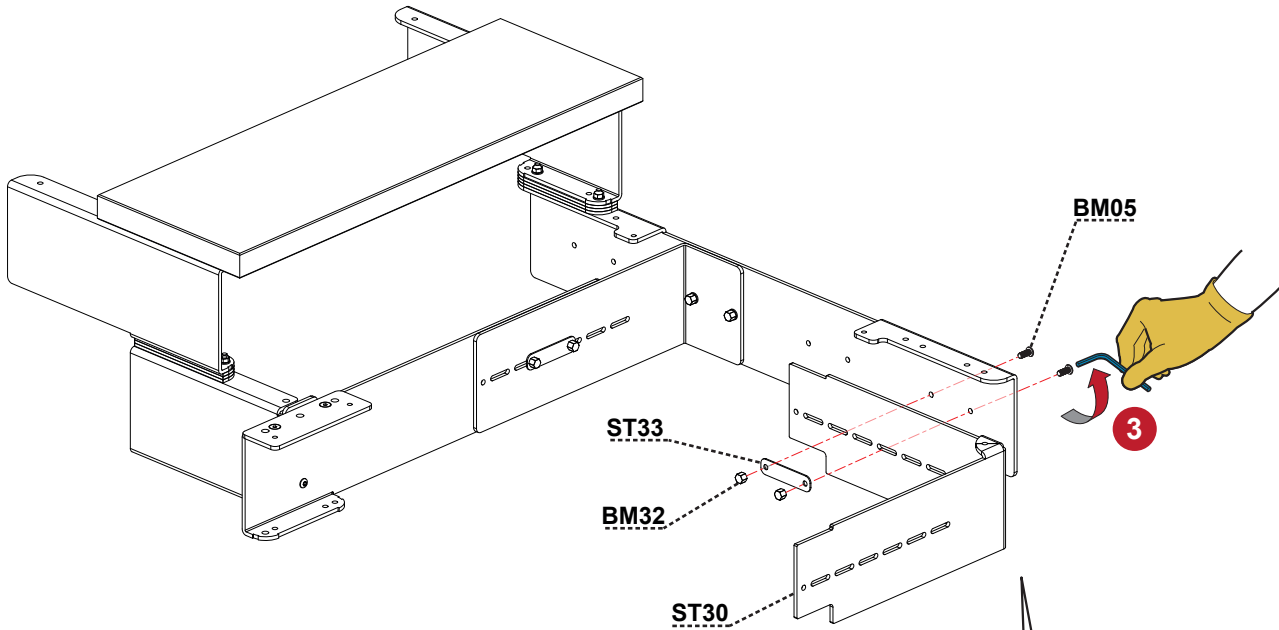
2



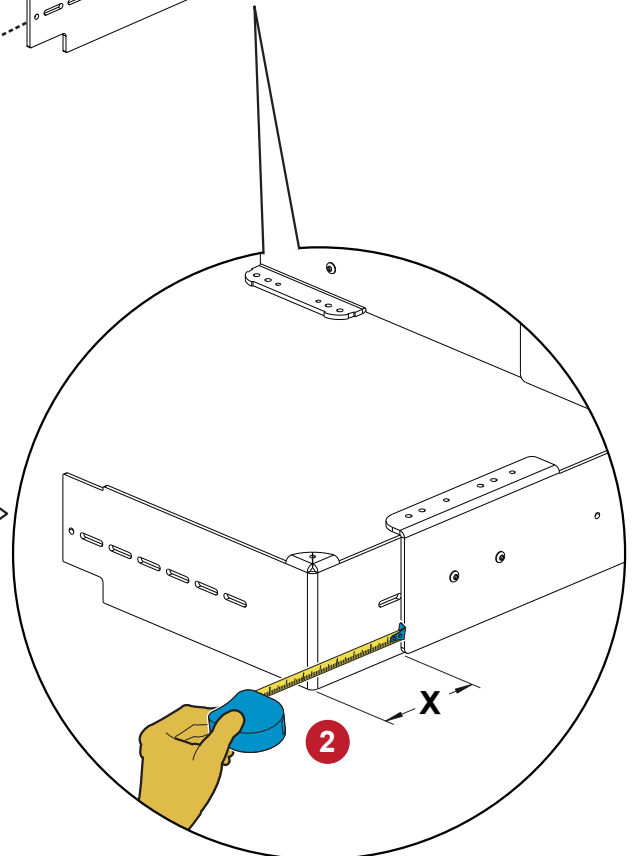


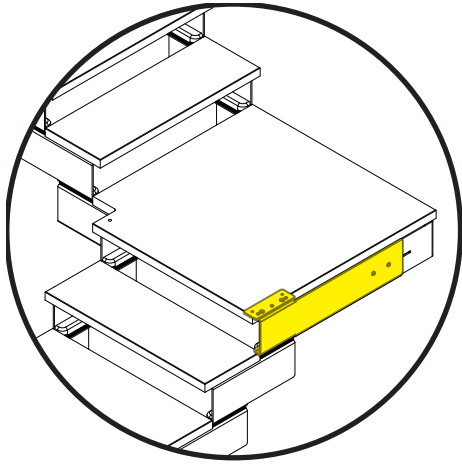


COUNTERCLOCKWISE



L	X
74	5.7
79	10.7
84	15.7
89	20.7
94	25.7

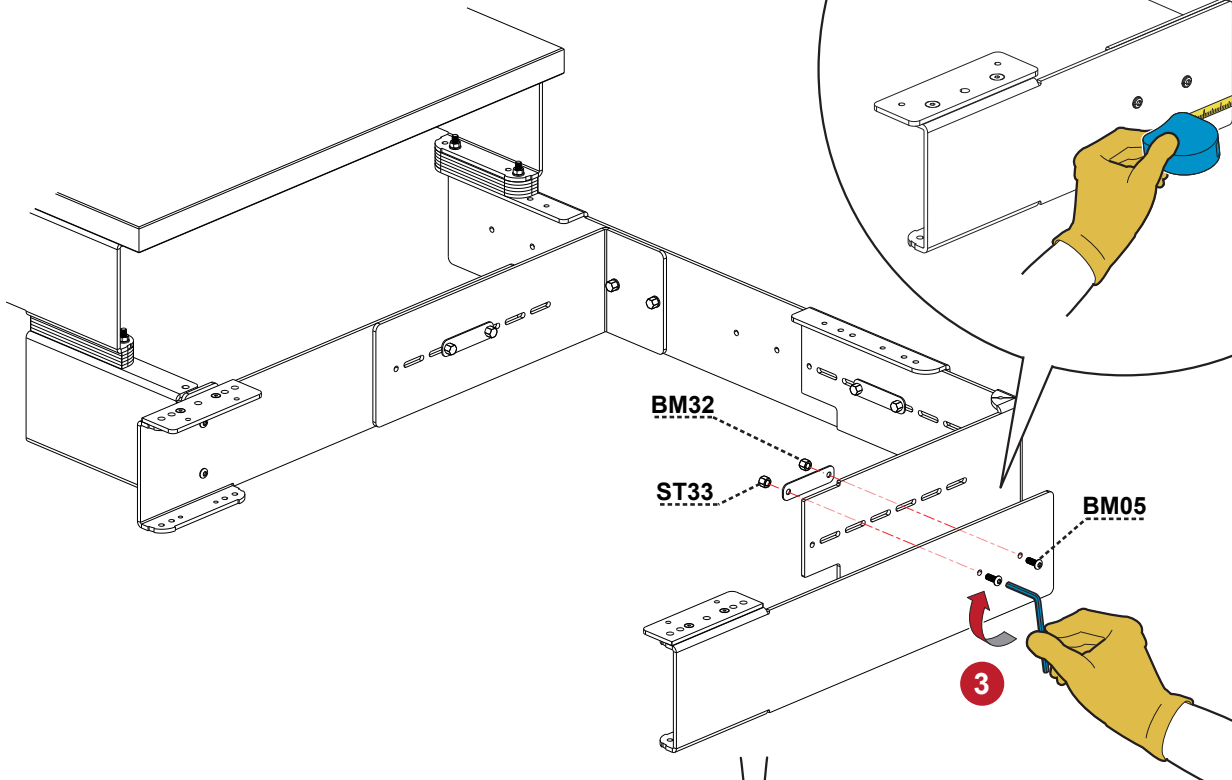
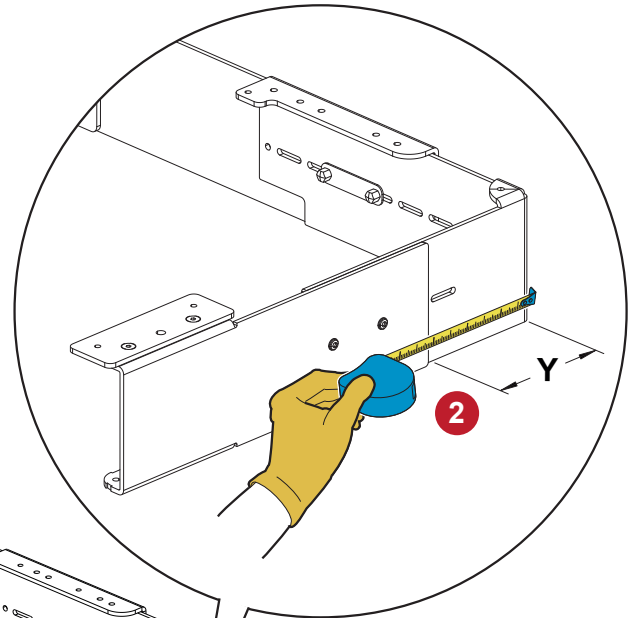




	P = 23	P = 25
L	Y	Y
74	5.1	7.1
79	10.1	12.1
84	15.1	17.1
89	20.1	22.1
94	25.1	27.1

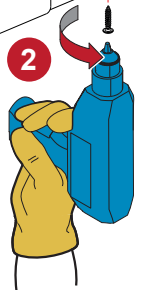
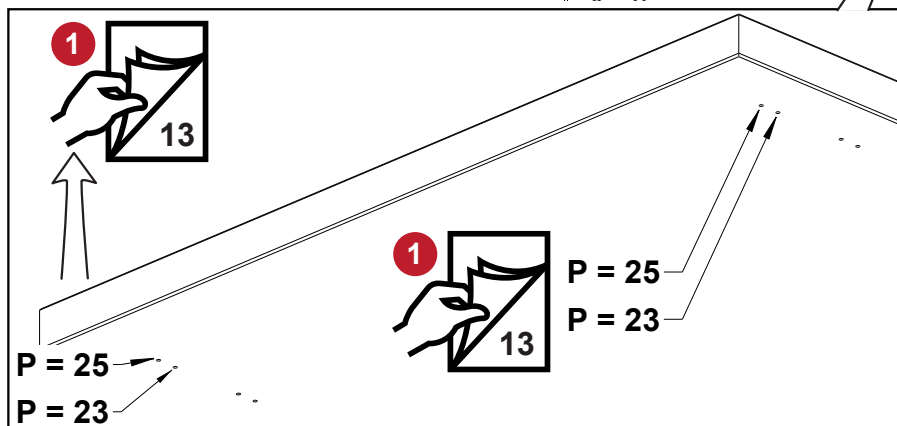
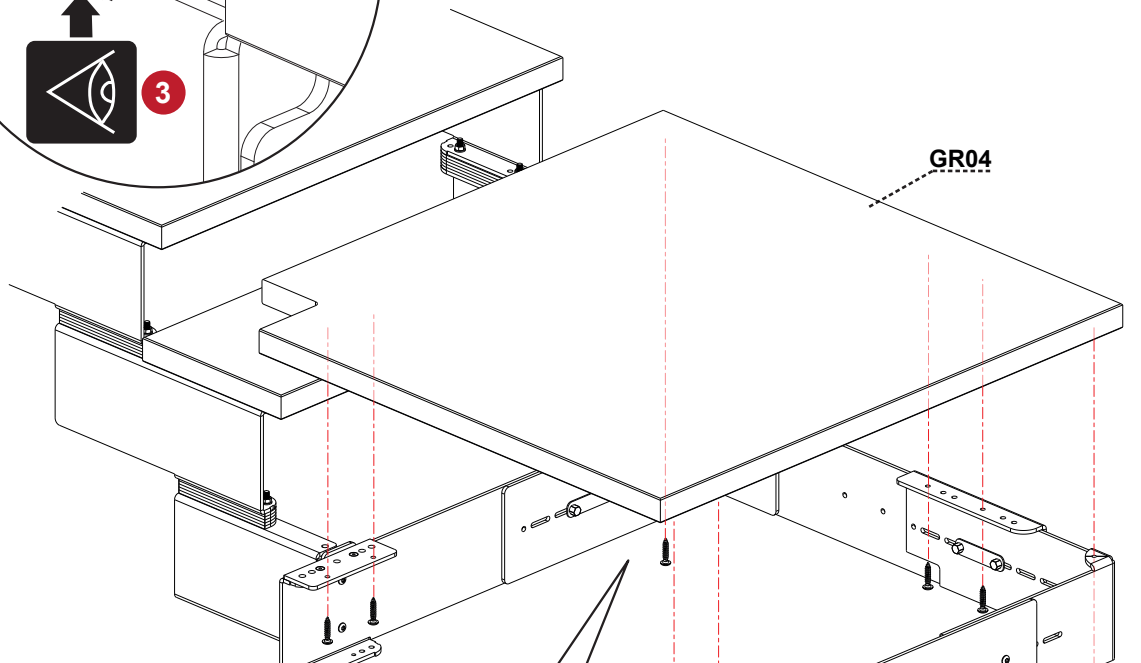
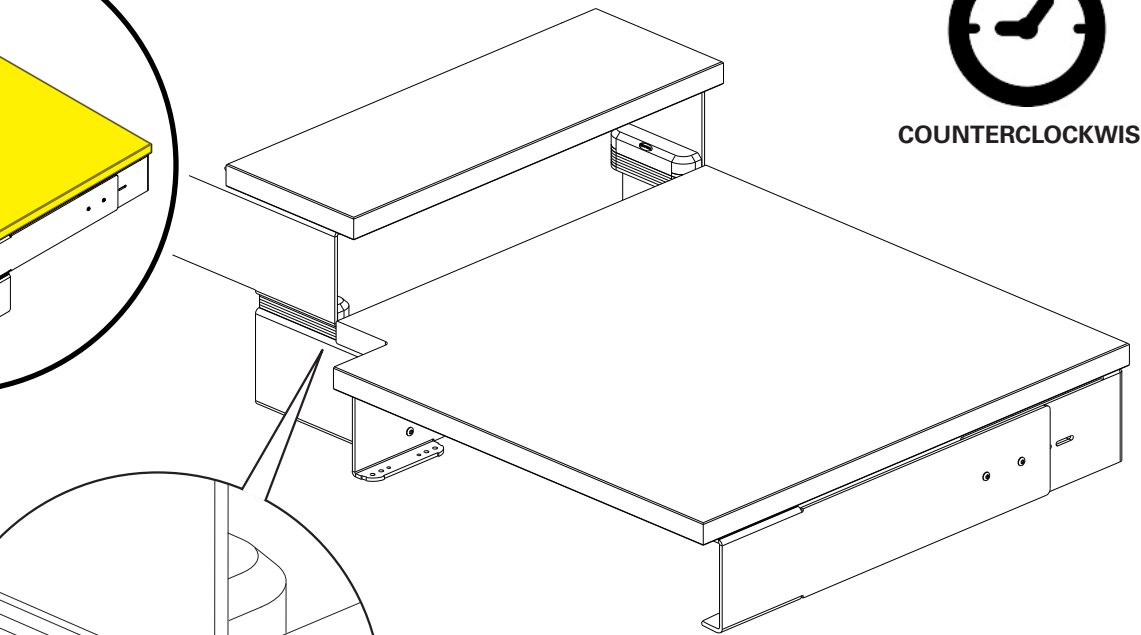
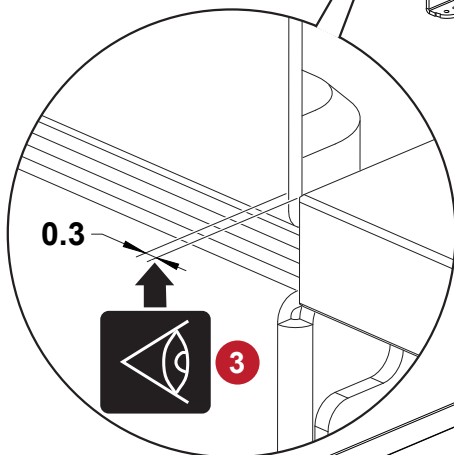
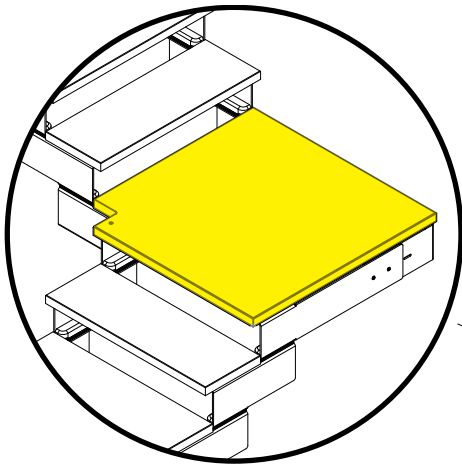


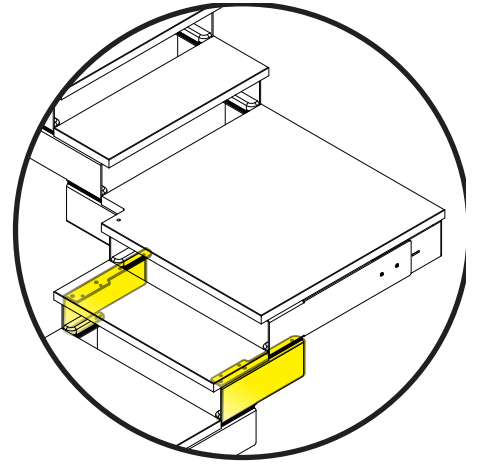
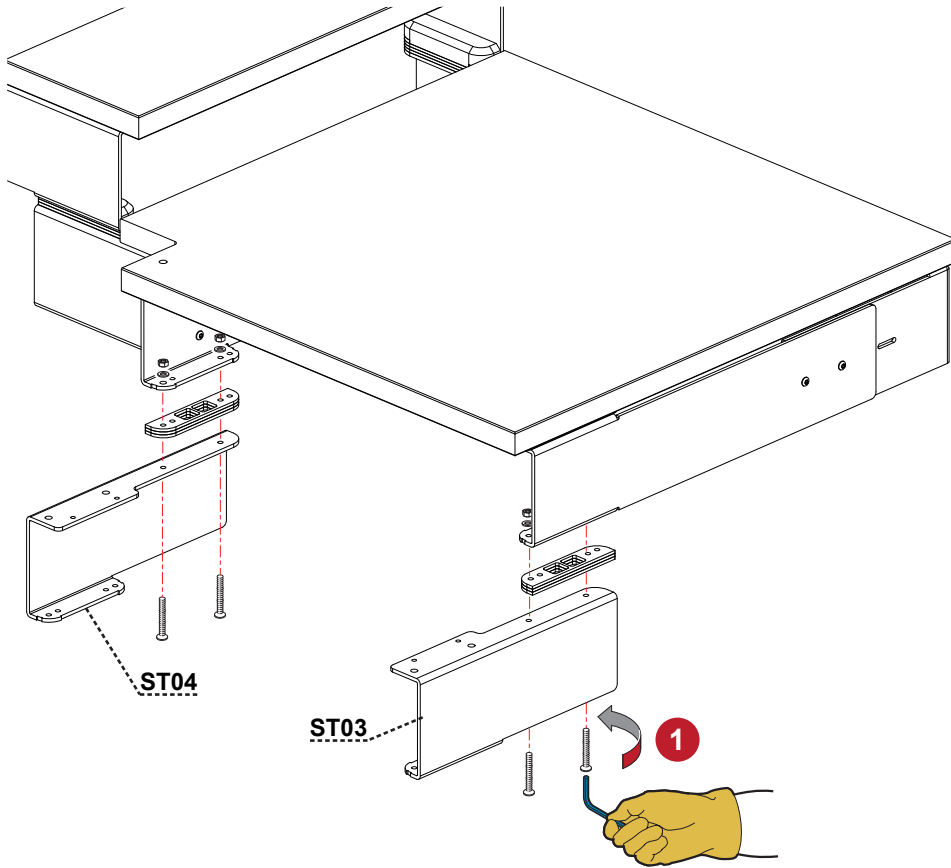
COUNTERCLOCKWISE



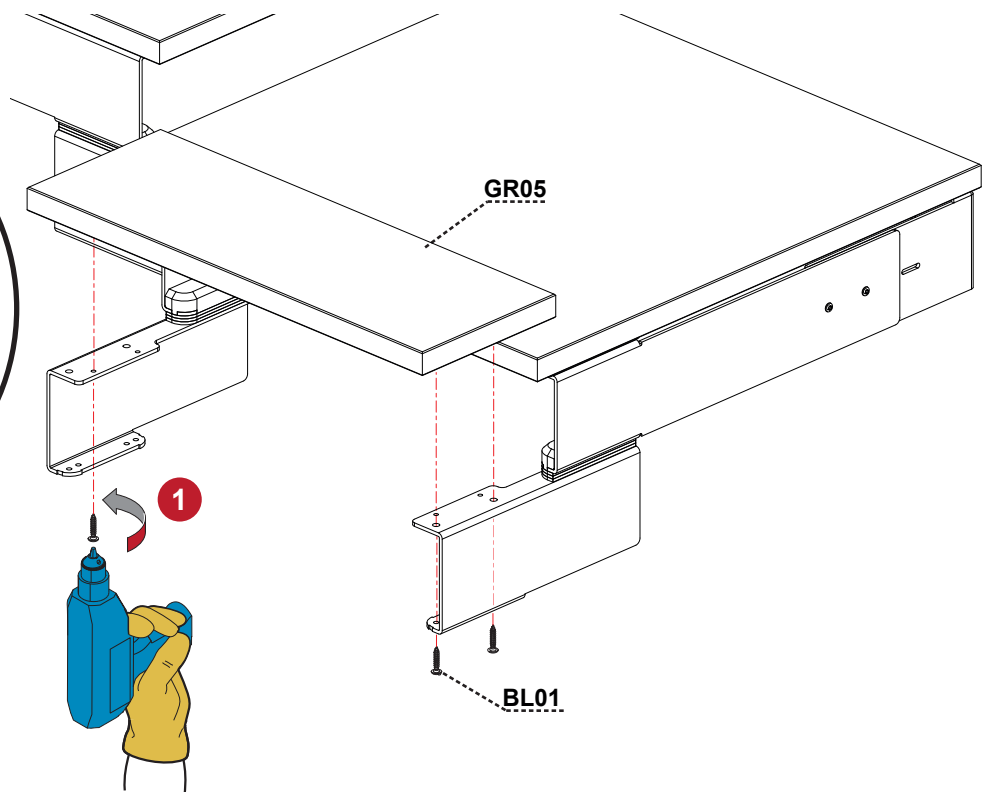
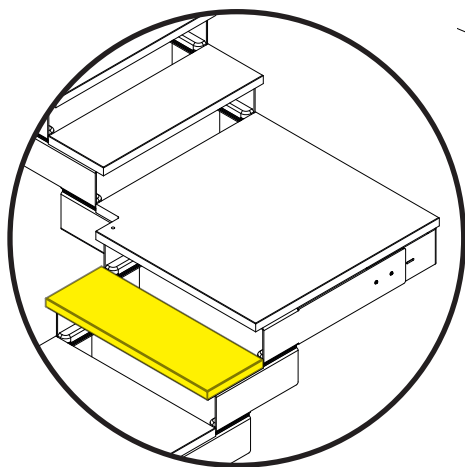


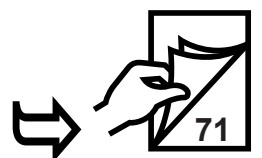
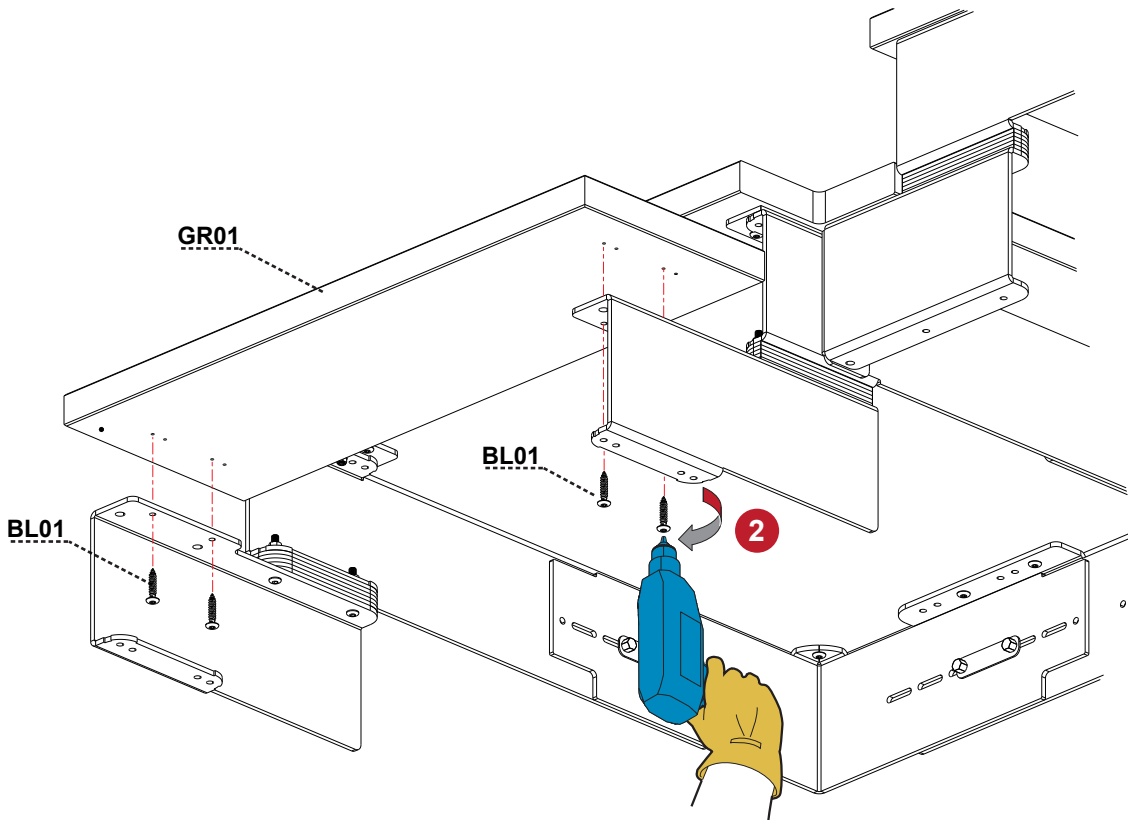
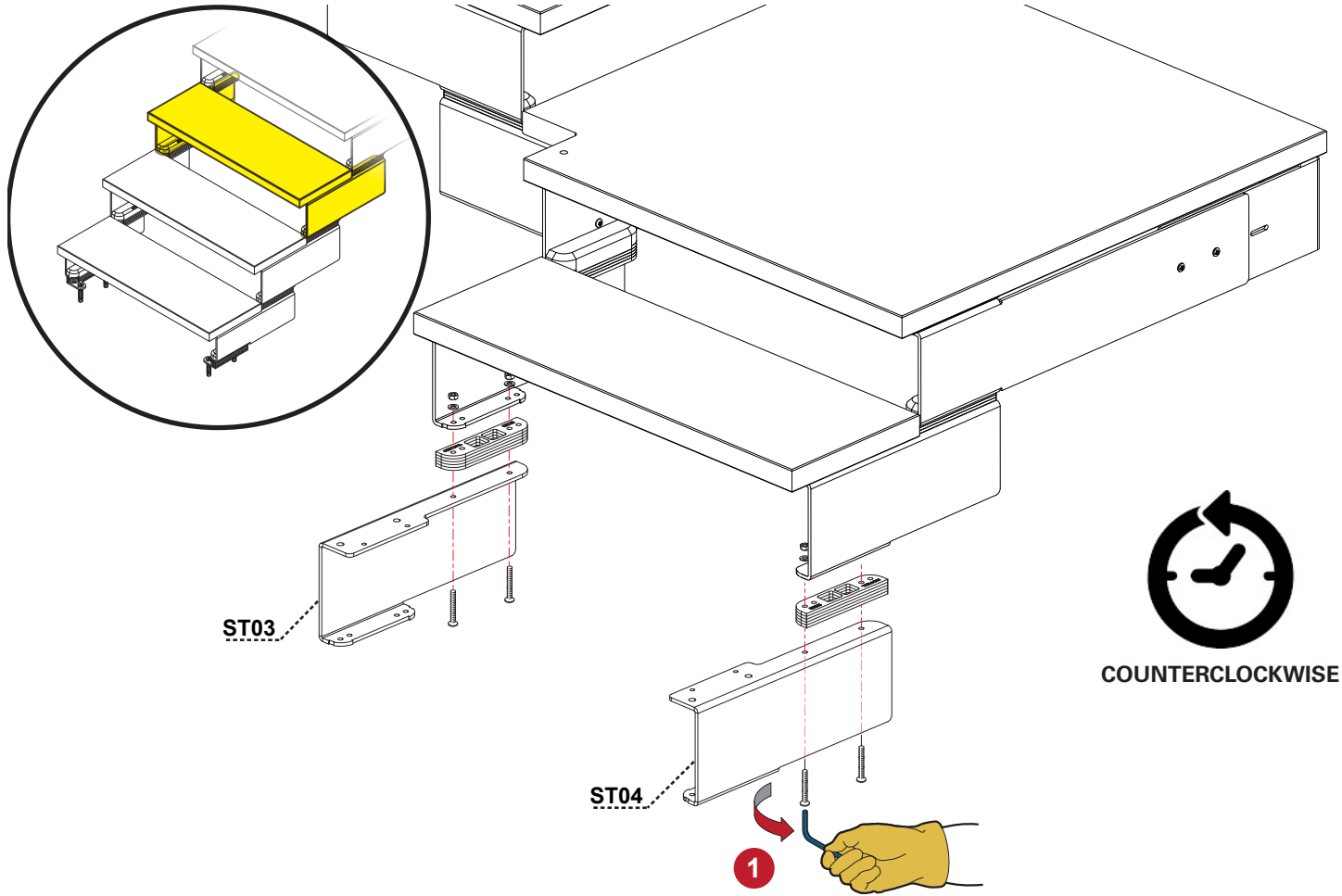
COUNTERCLOCKWISE

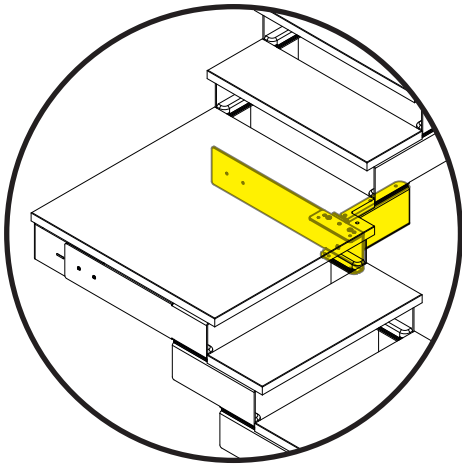




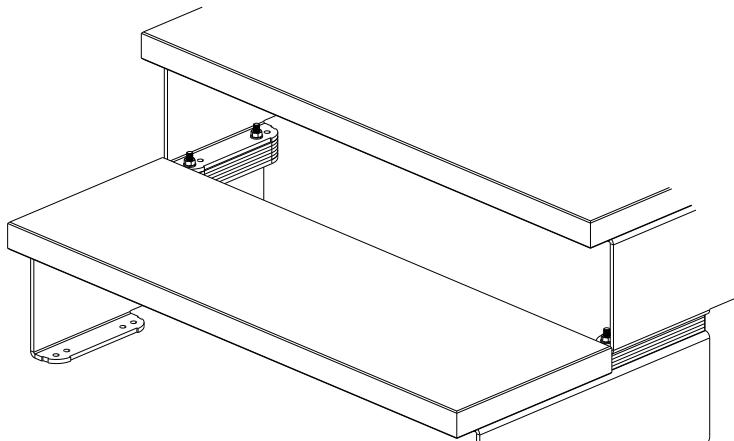
COUNTERCLOCKWISE



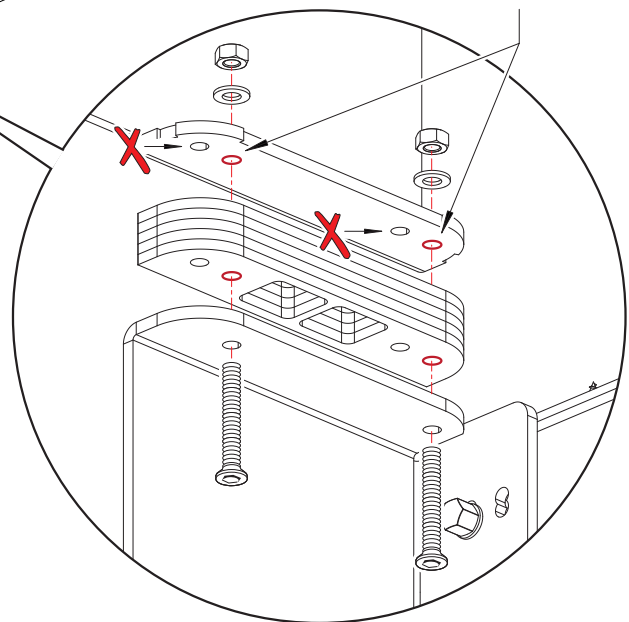
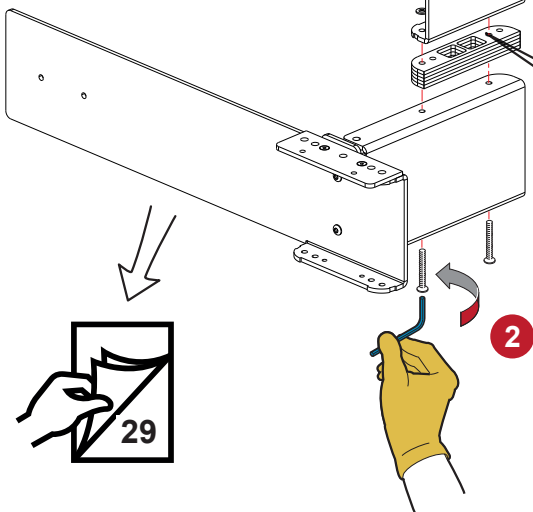




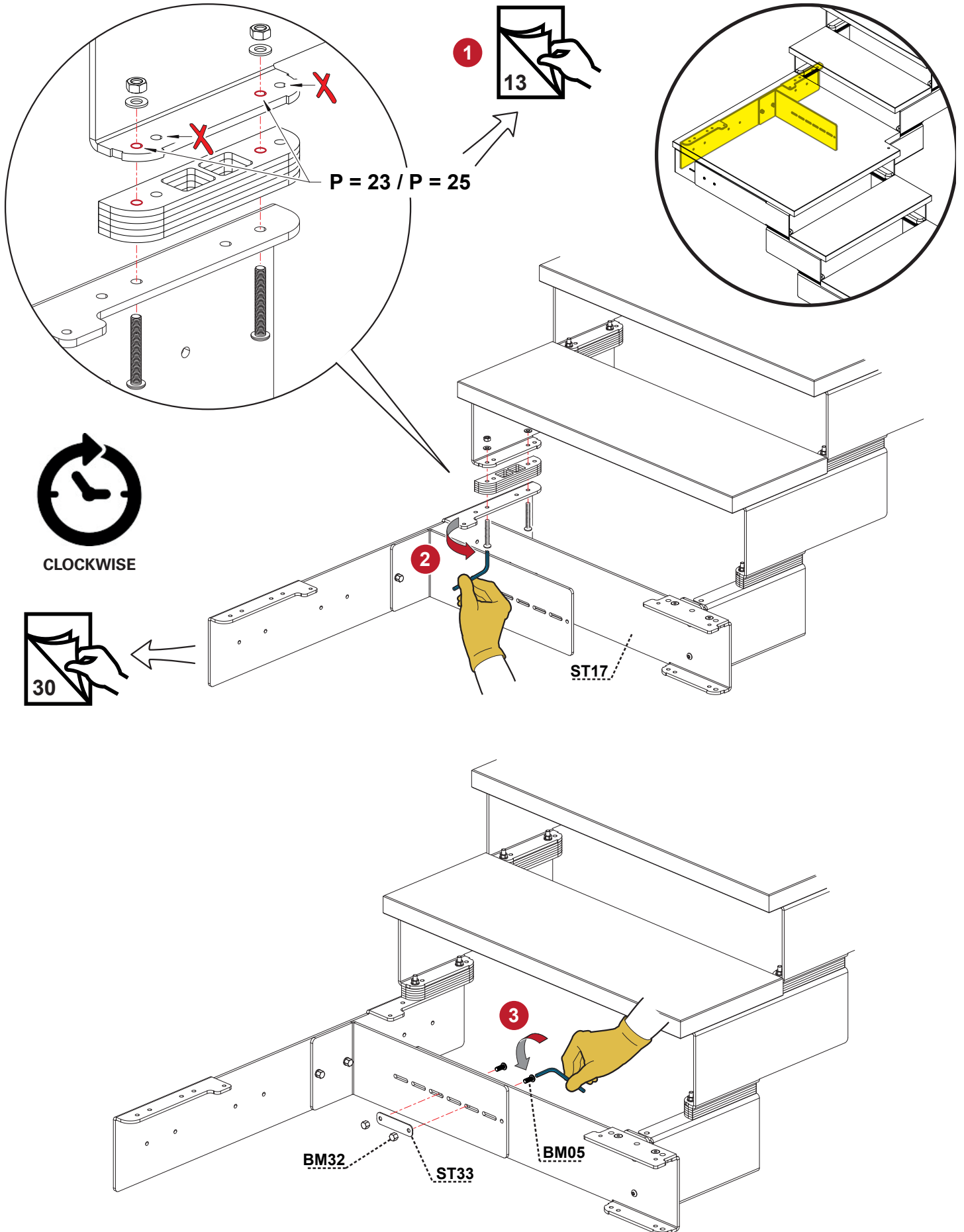
CLOCKWISE



P = 23 / P = 25

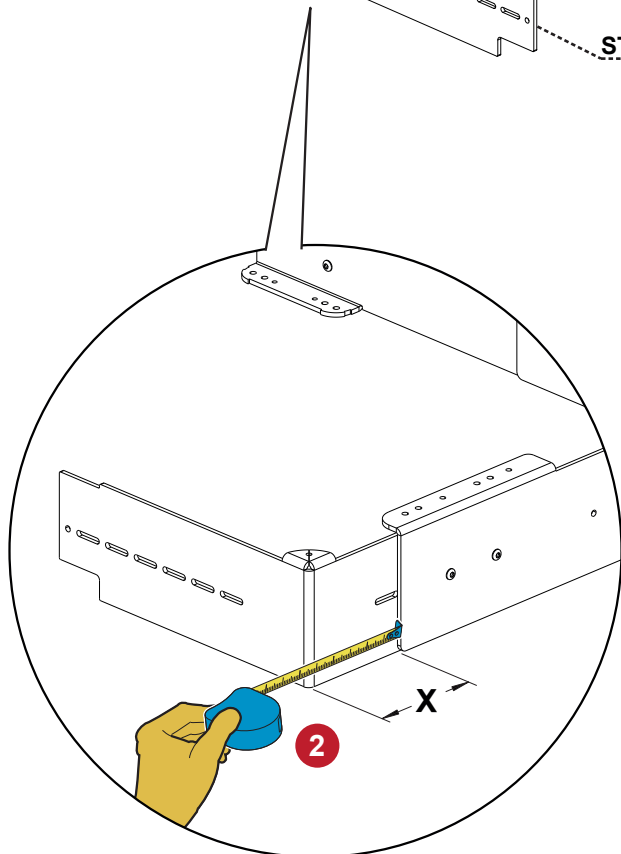
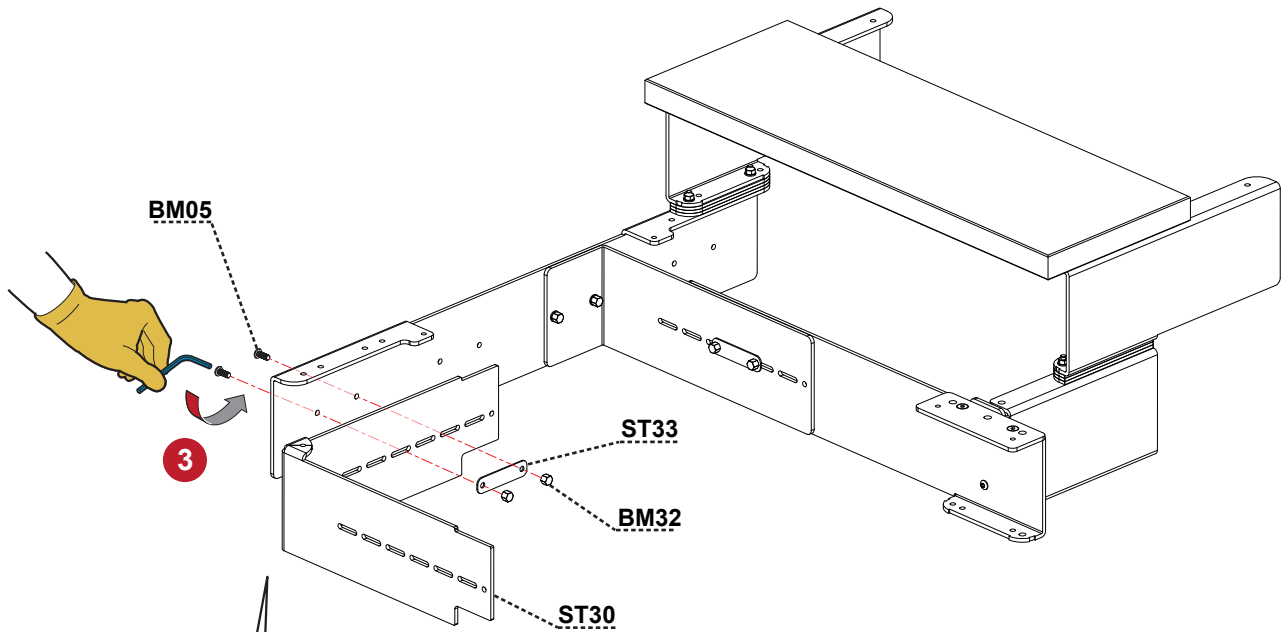
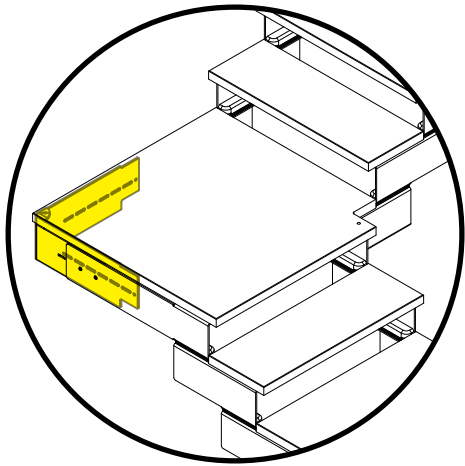








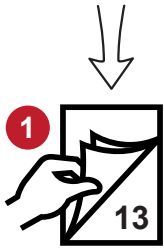
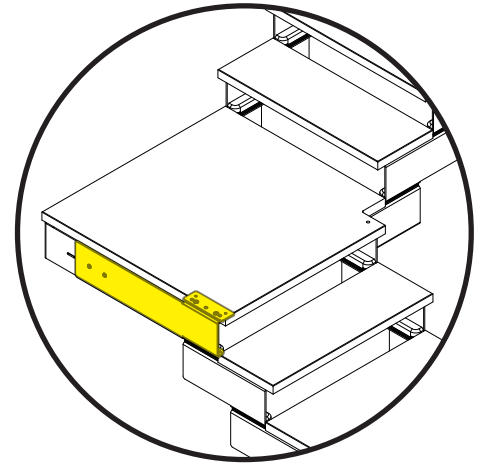
CLOCKWISE



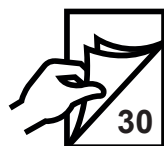
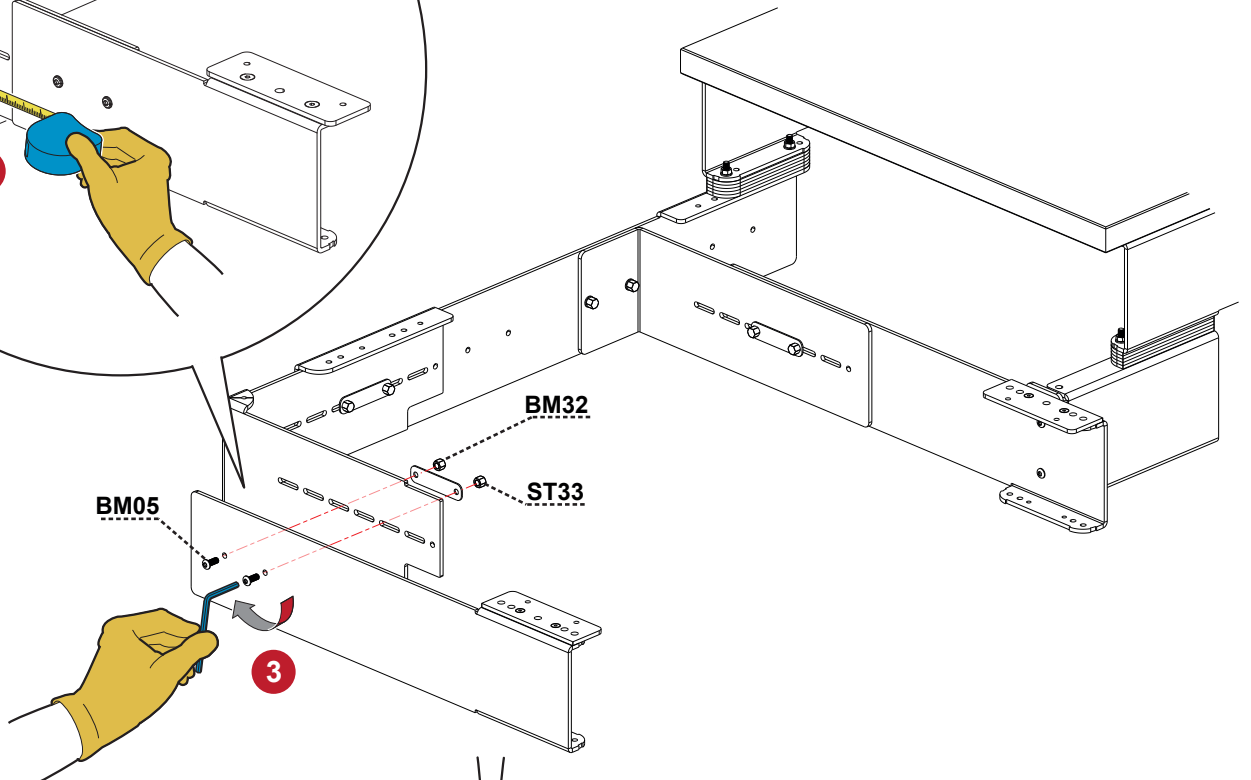
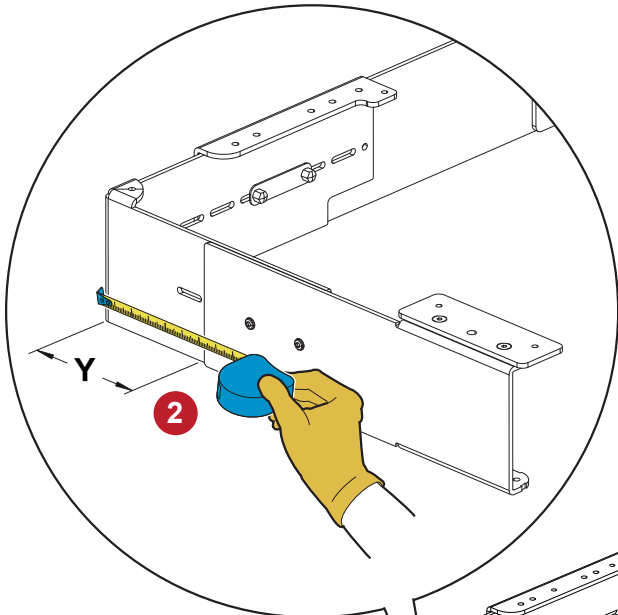
L	X
74	5.7
79	10.7
84	15.7
89	20.7
94	25.7



	P = 23	P = 25
L	Y	Y
74	5.1	7.1
79	10.1	12.1
84	15.1	17.1
89	20.1	22.1
94	25.1	27.1

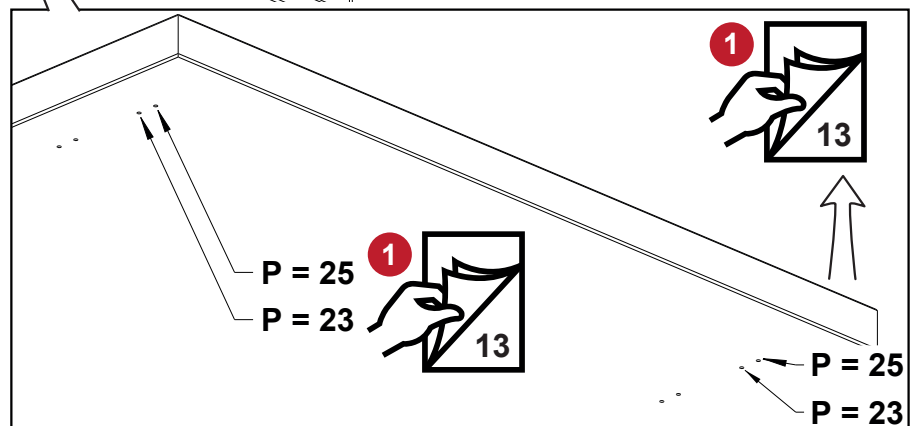
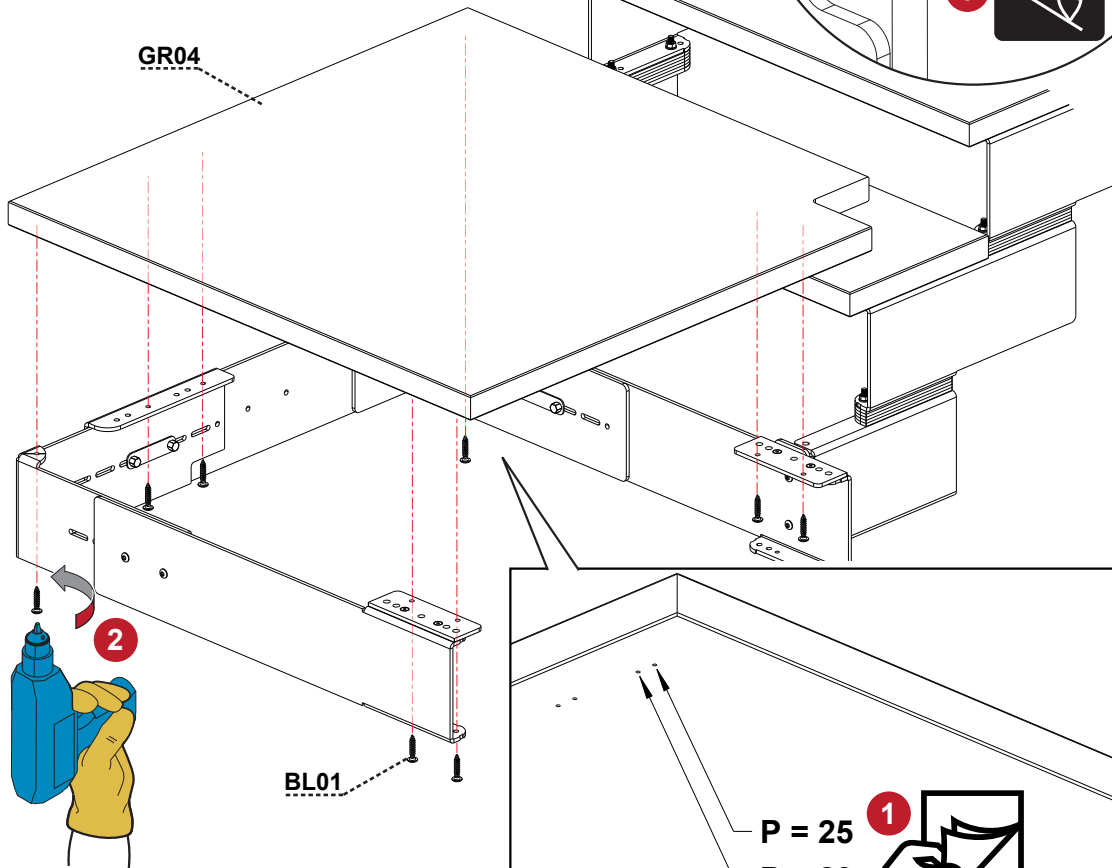
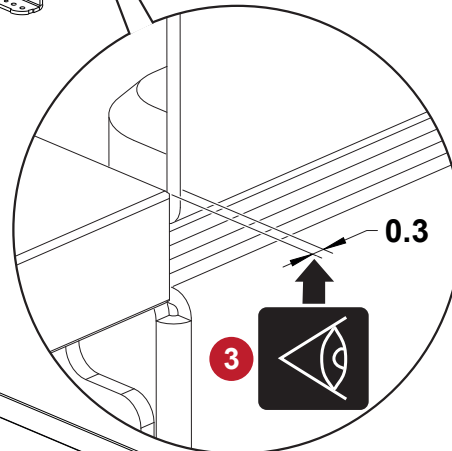
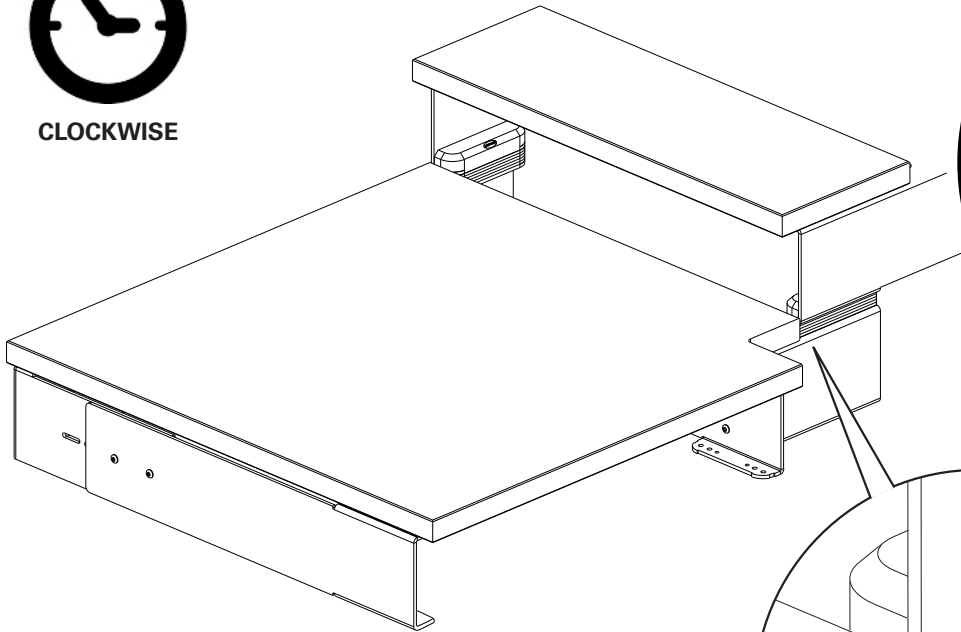
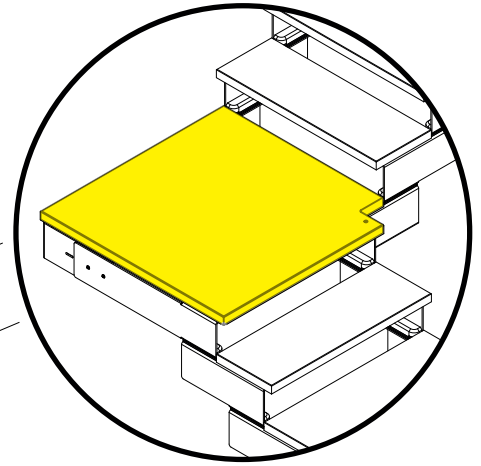


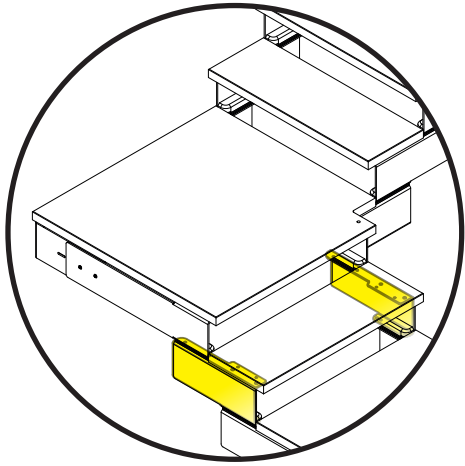
CLOCKWISE



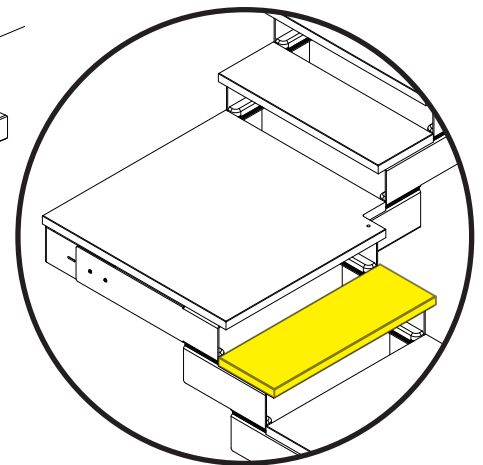
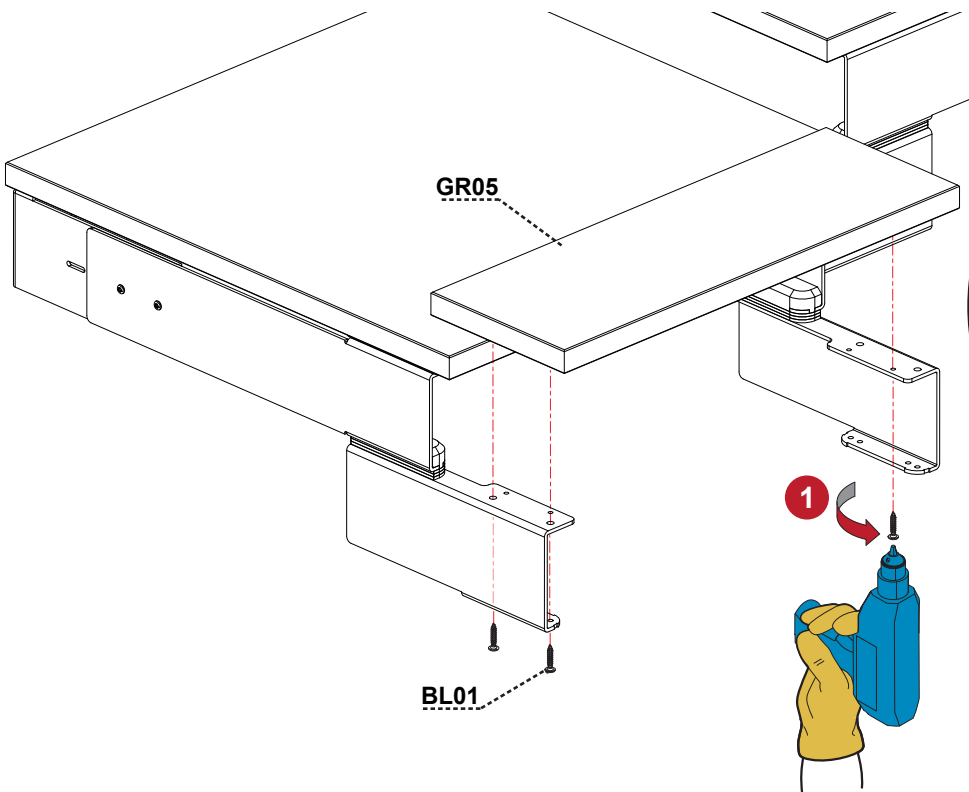
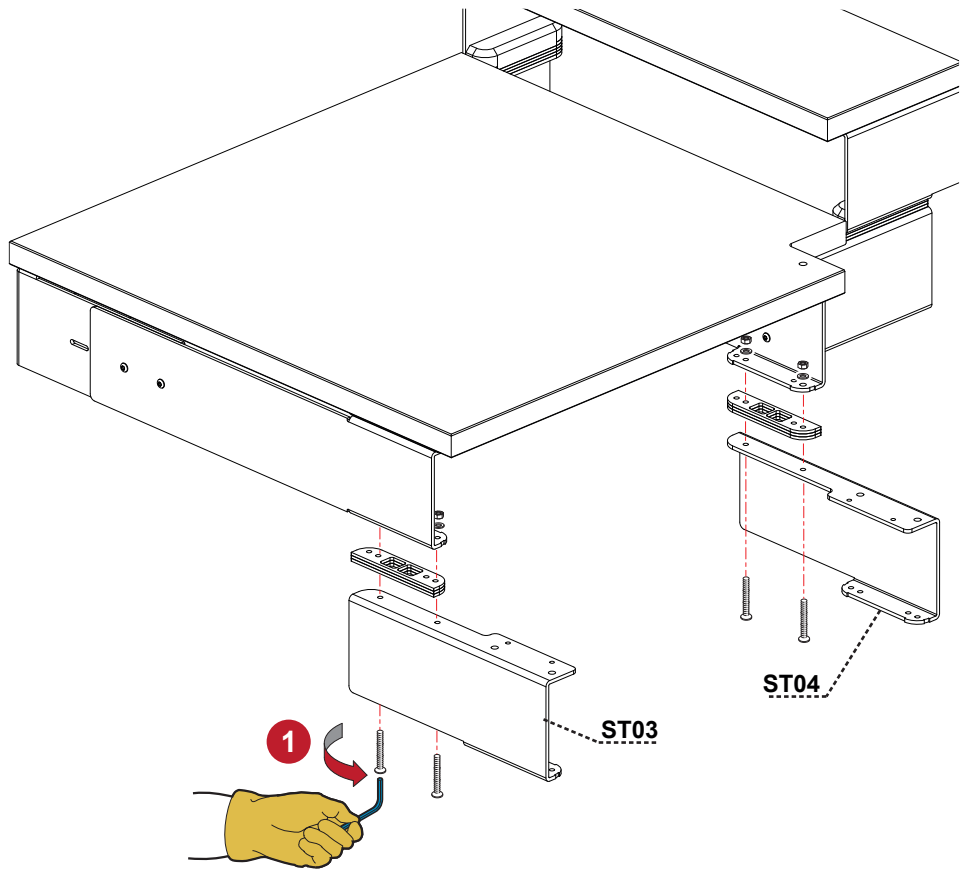


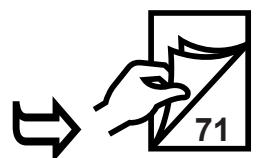
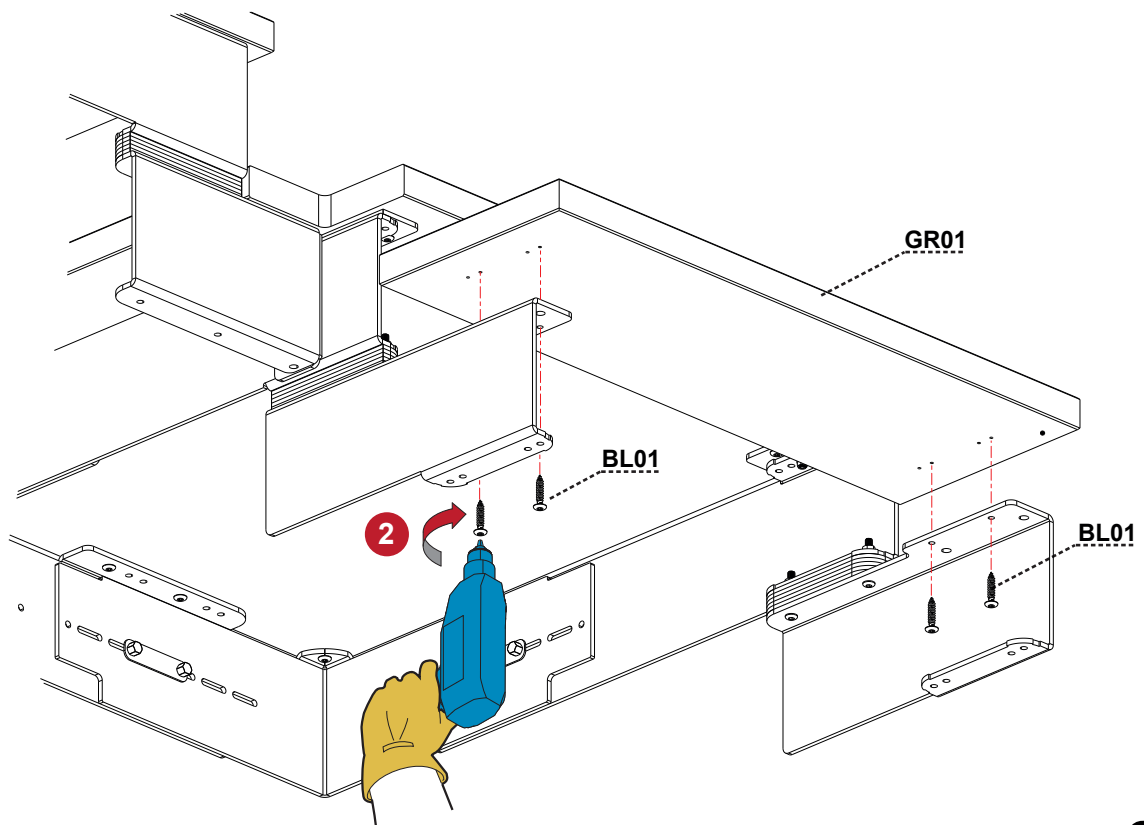
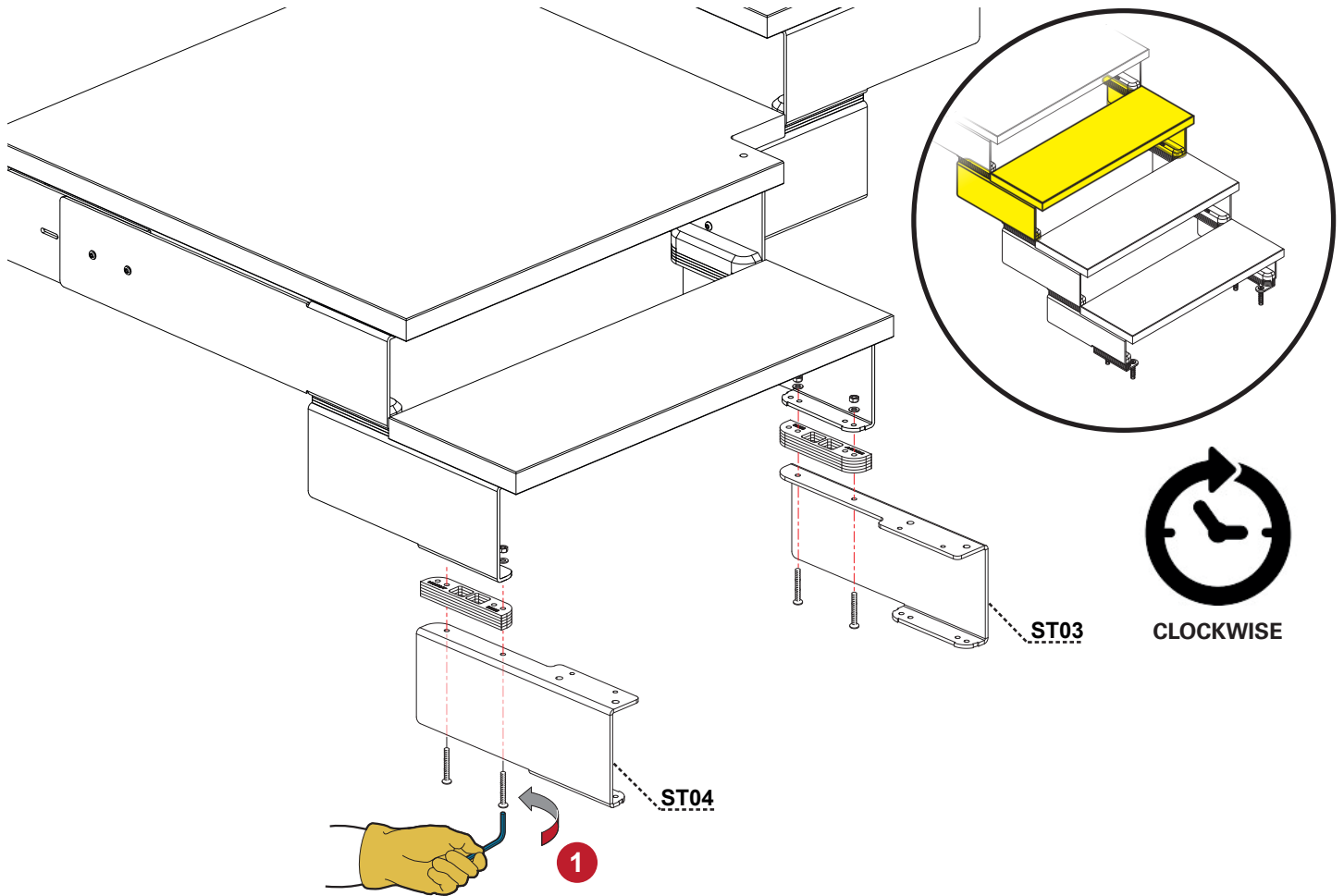
CLOCKWISE

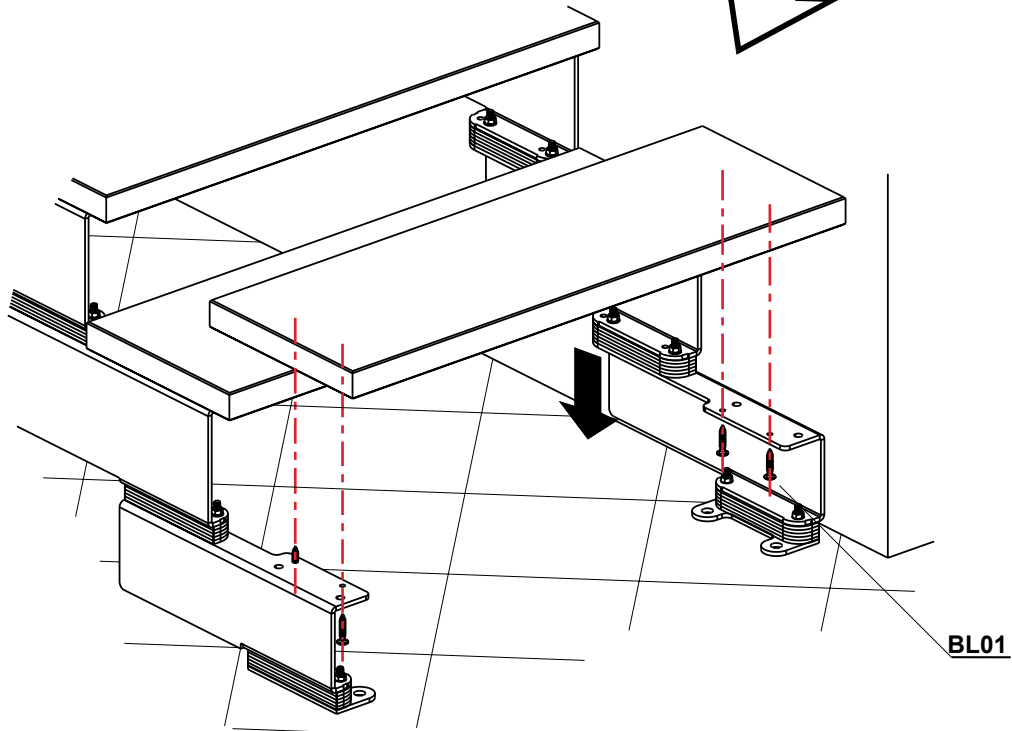
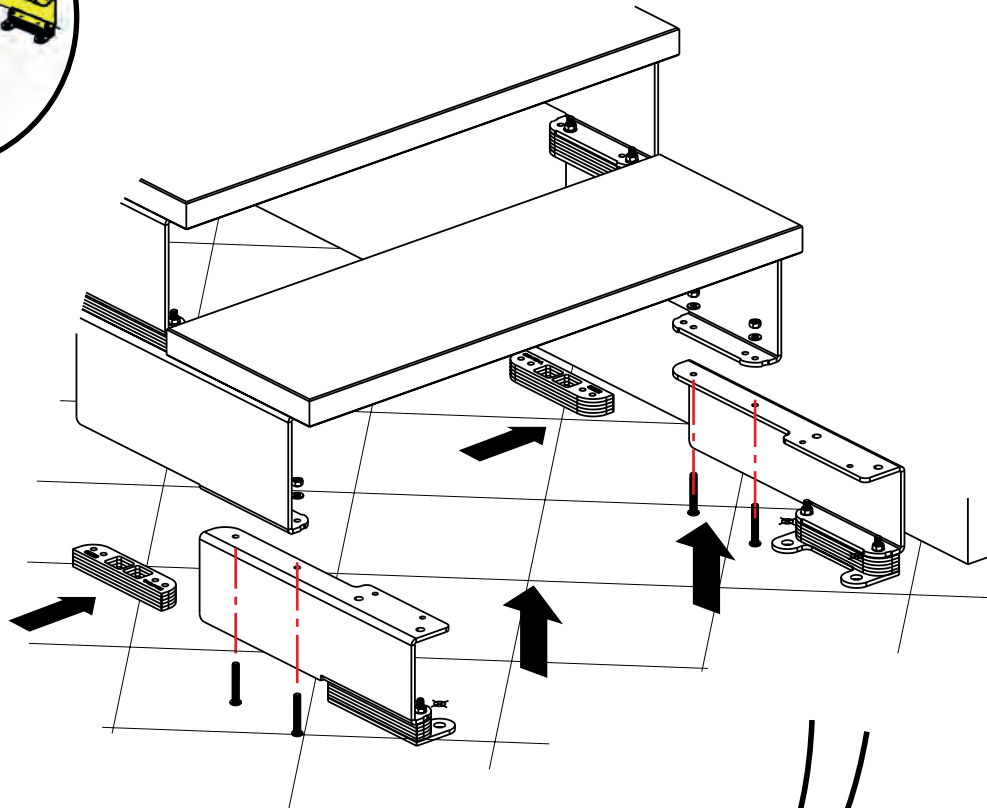
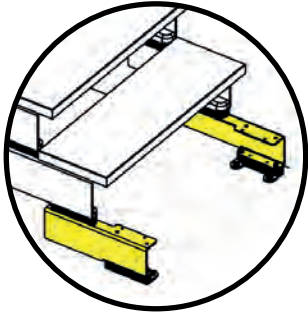


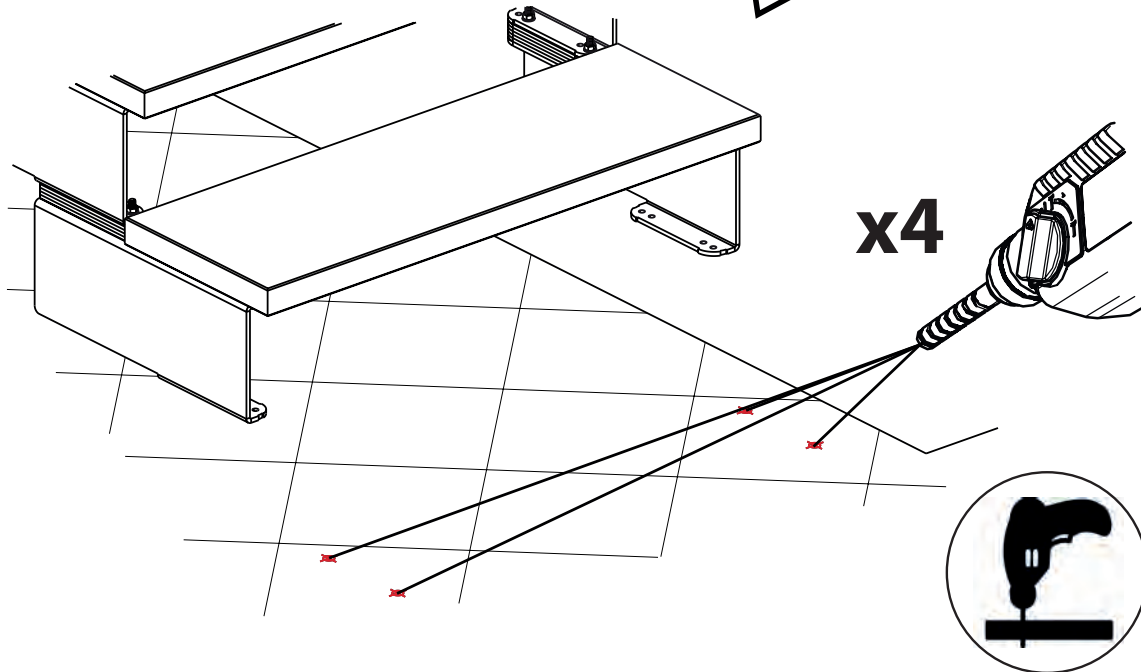
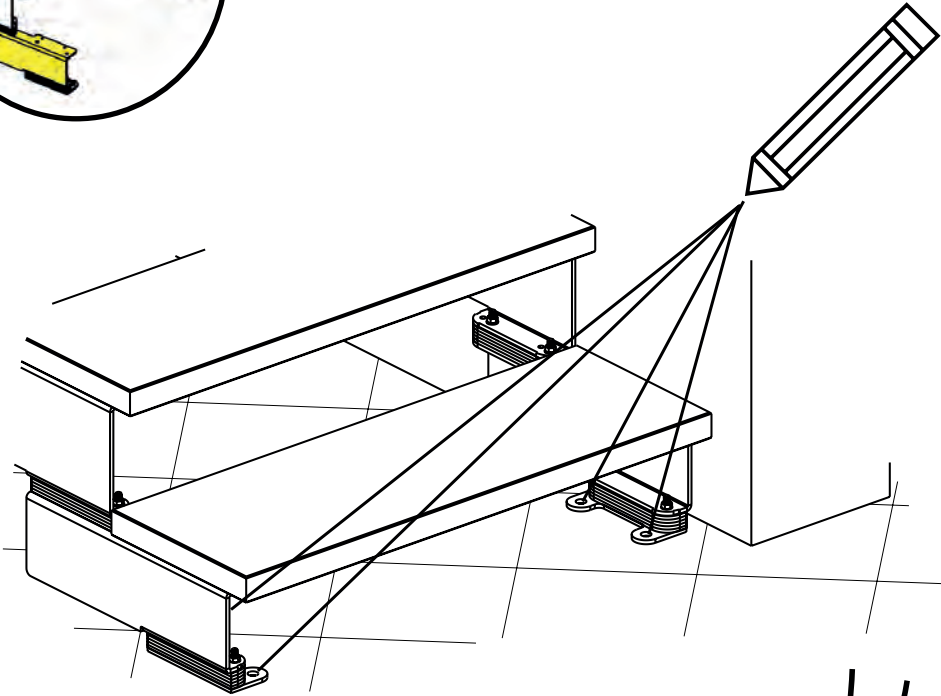
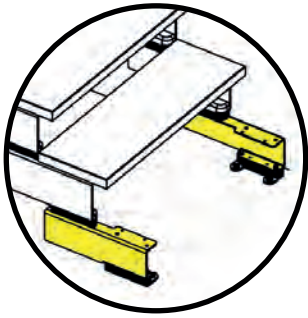


CLOCKWISE

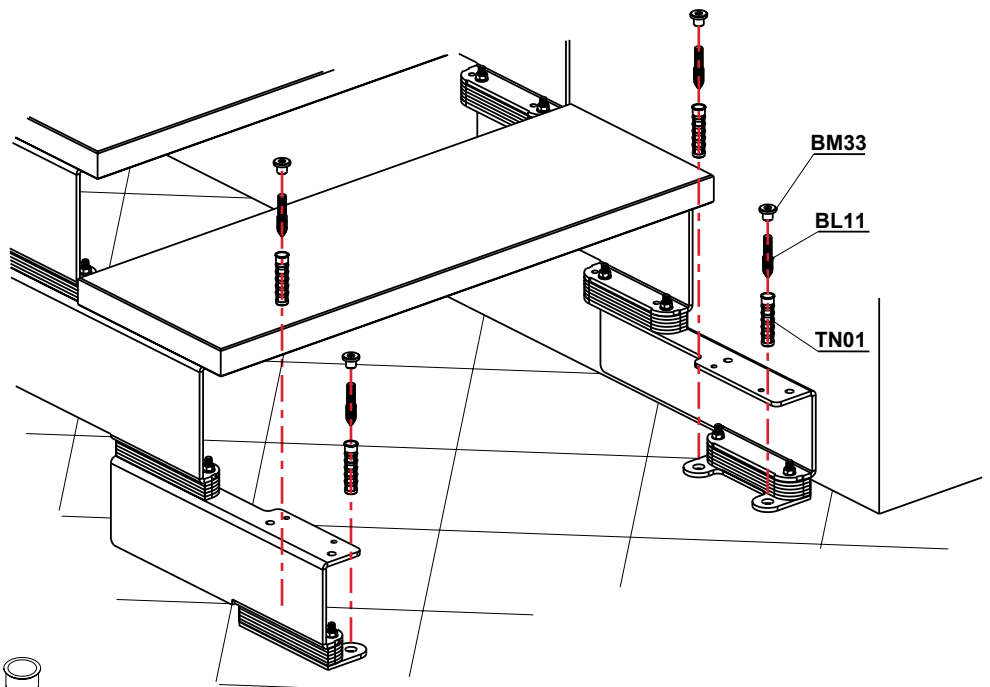
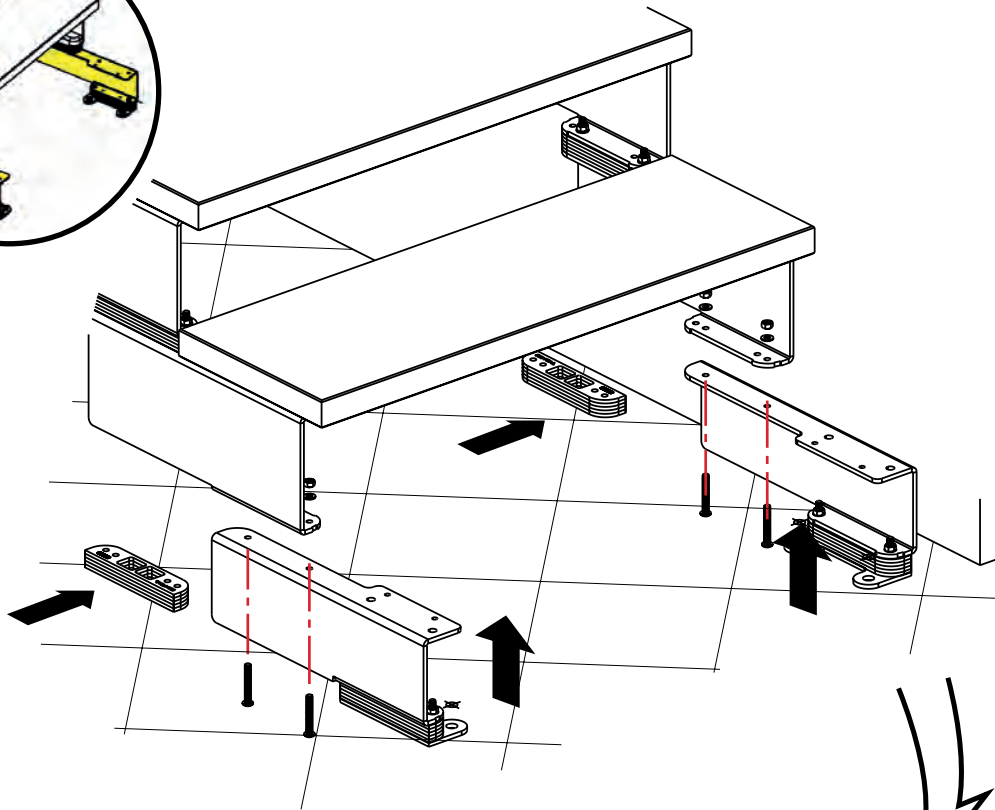
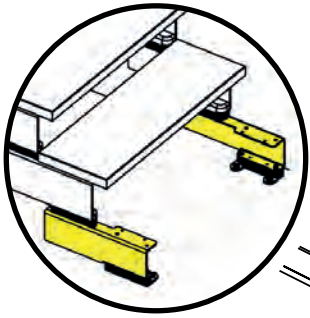












BM33  
BL11  
TN01

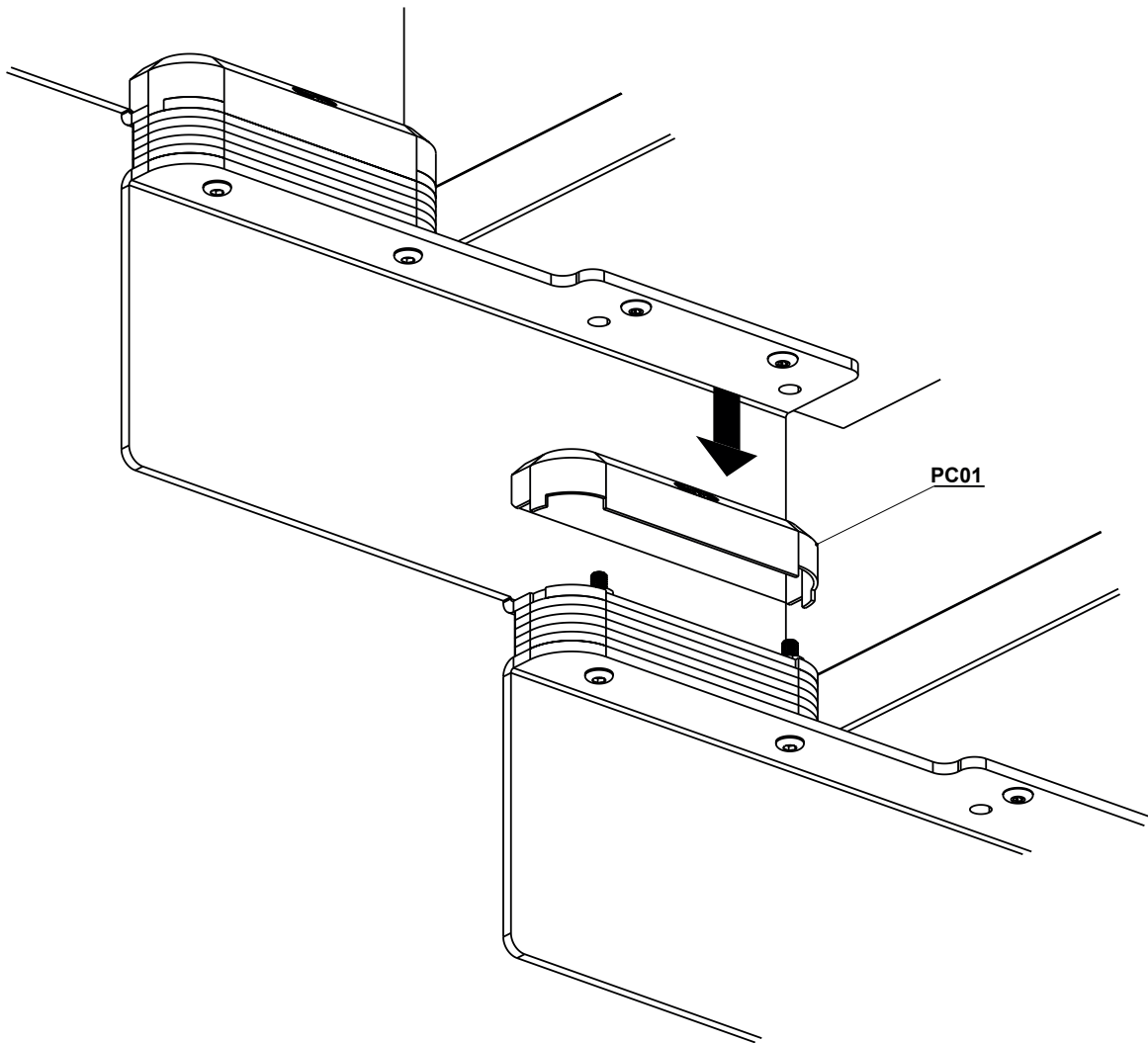
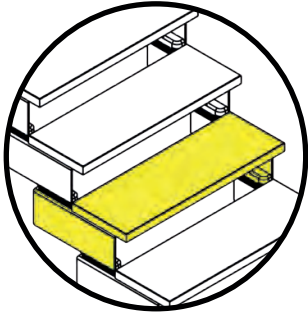


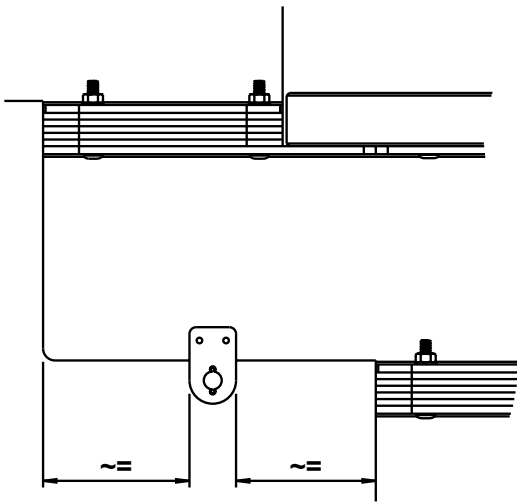
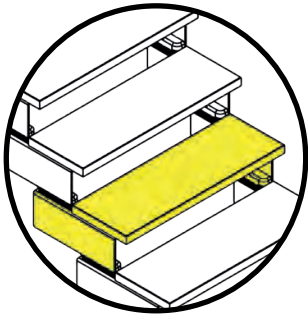
**BL 11**

**BM 33**

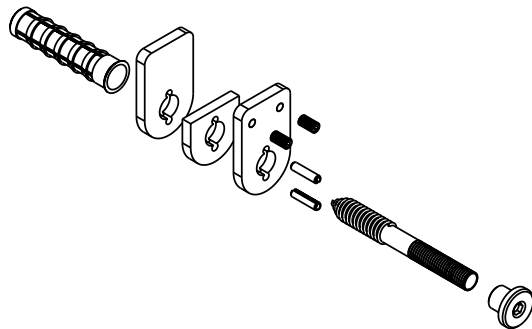
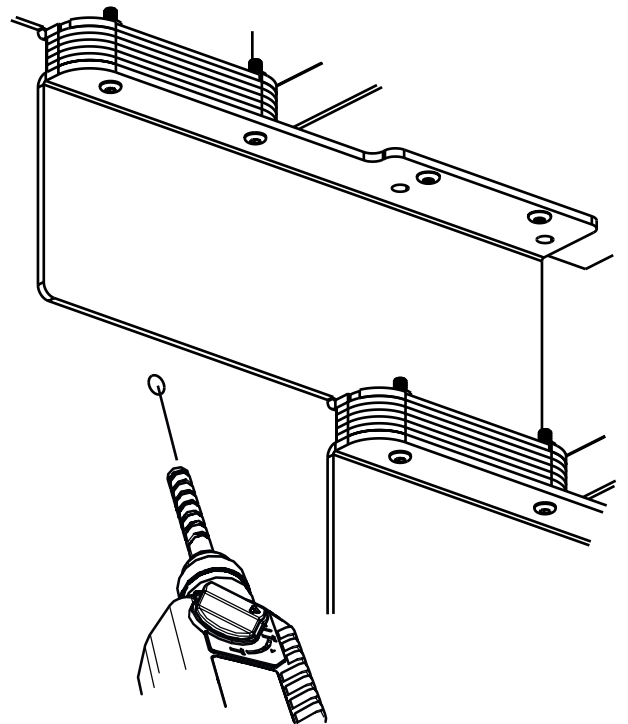
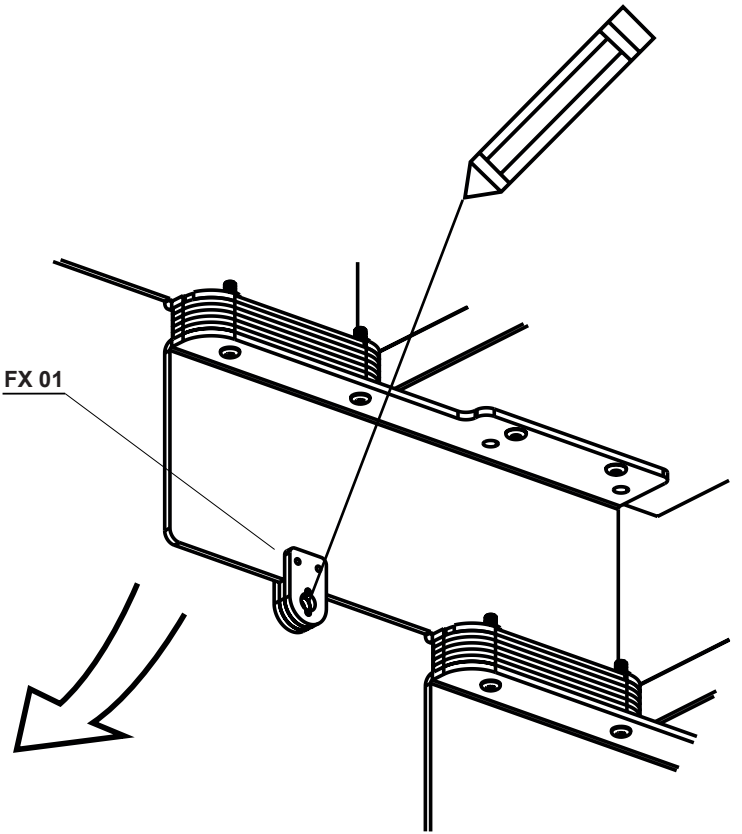
**TN 01**





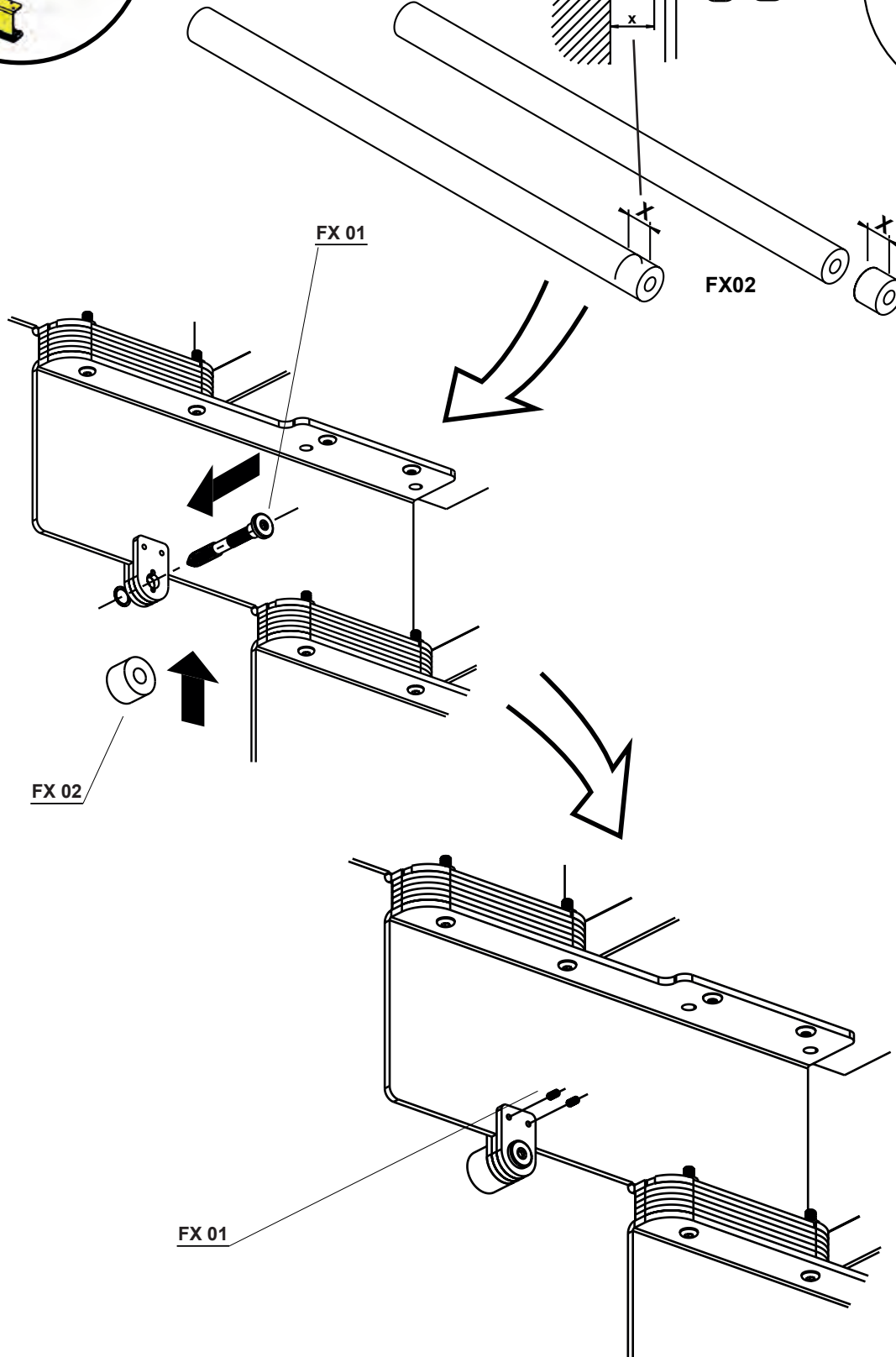
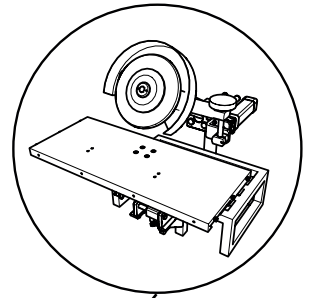
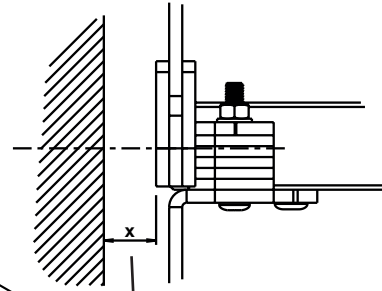
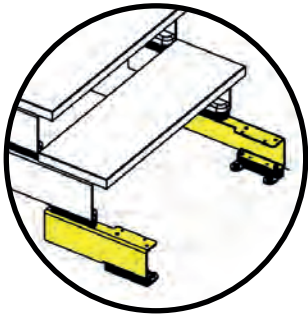



FX 01



**FX 01**





	Composity structure and steps installation manual. <b>Configuration I - L</b>	Code	Rev. <b>1</b>	Date <b>29-07-2016</b>
---	---	------	------------------	---------------------------





**Stairs Studio srl**

Via Giacomo Filippi, 7 47122 Forlì (FC)

Italy +39 0543 791111 - +39 0543 722544

[www.rintal.com](http://www.rintal.com) - [info@rintal.it](mailto:info@rintal.it)