



# COMPOSITY

TUBE RAILING AND BALUSTRADE  
ASSEMBLING INSTRUCTION



# INDEX

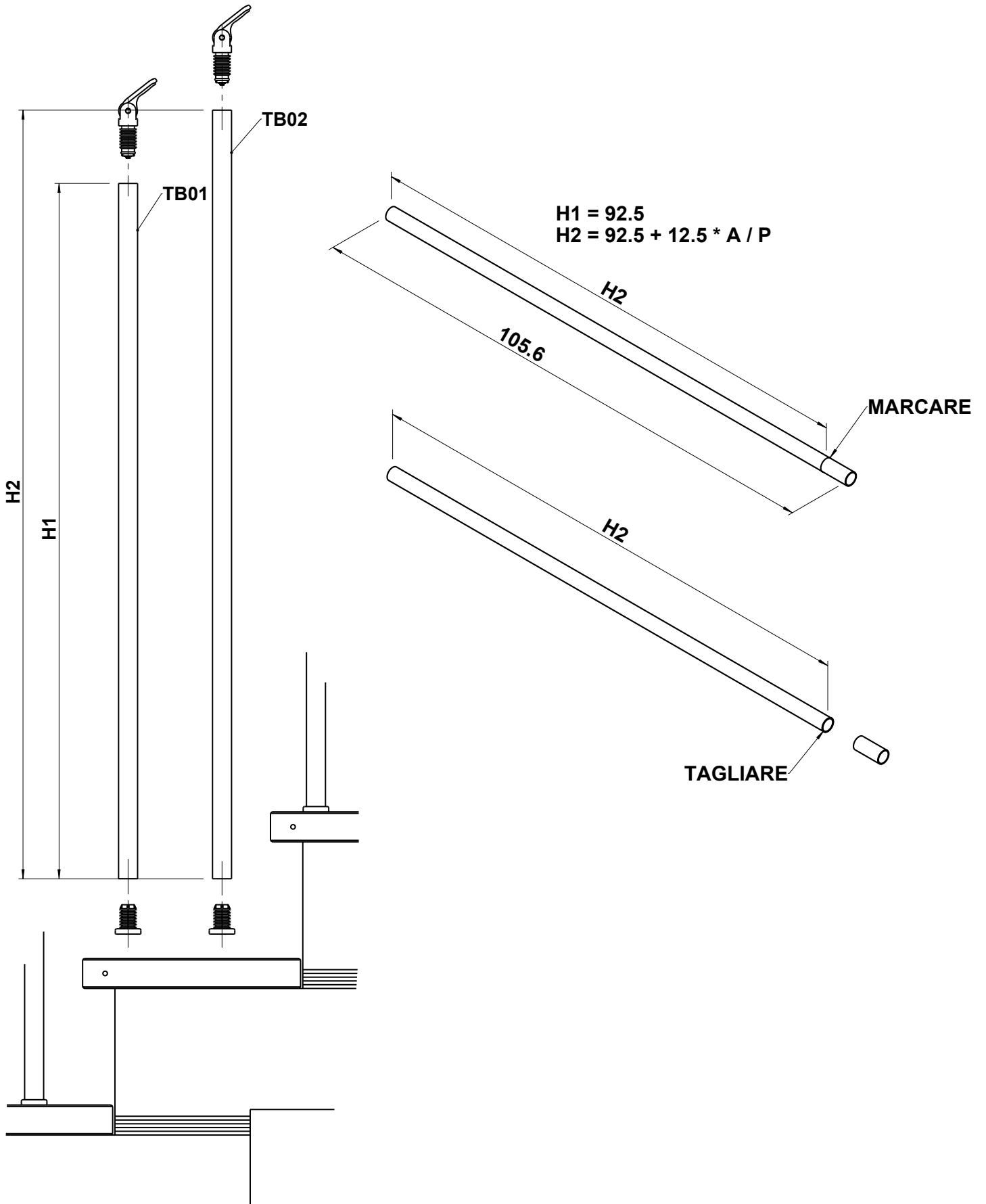
1 Preassembly	05
2 Assembly	09

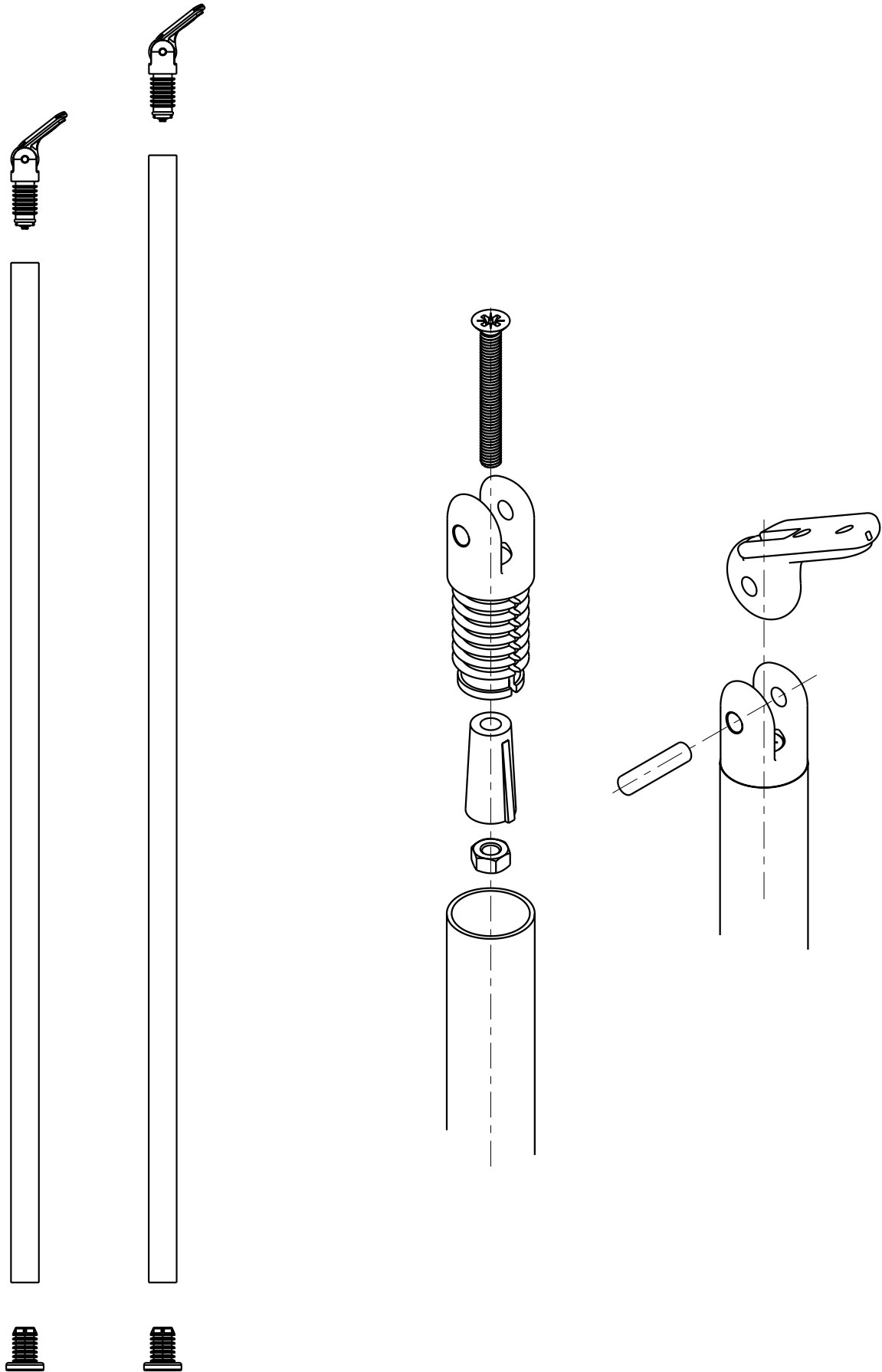


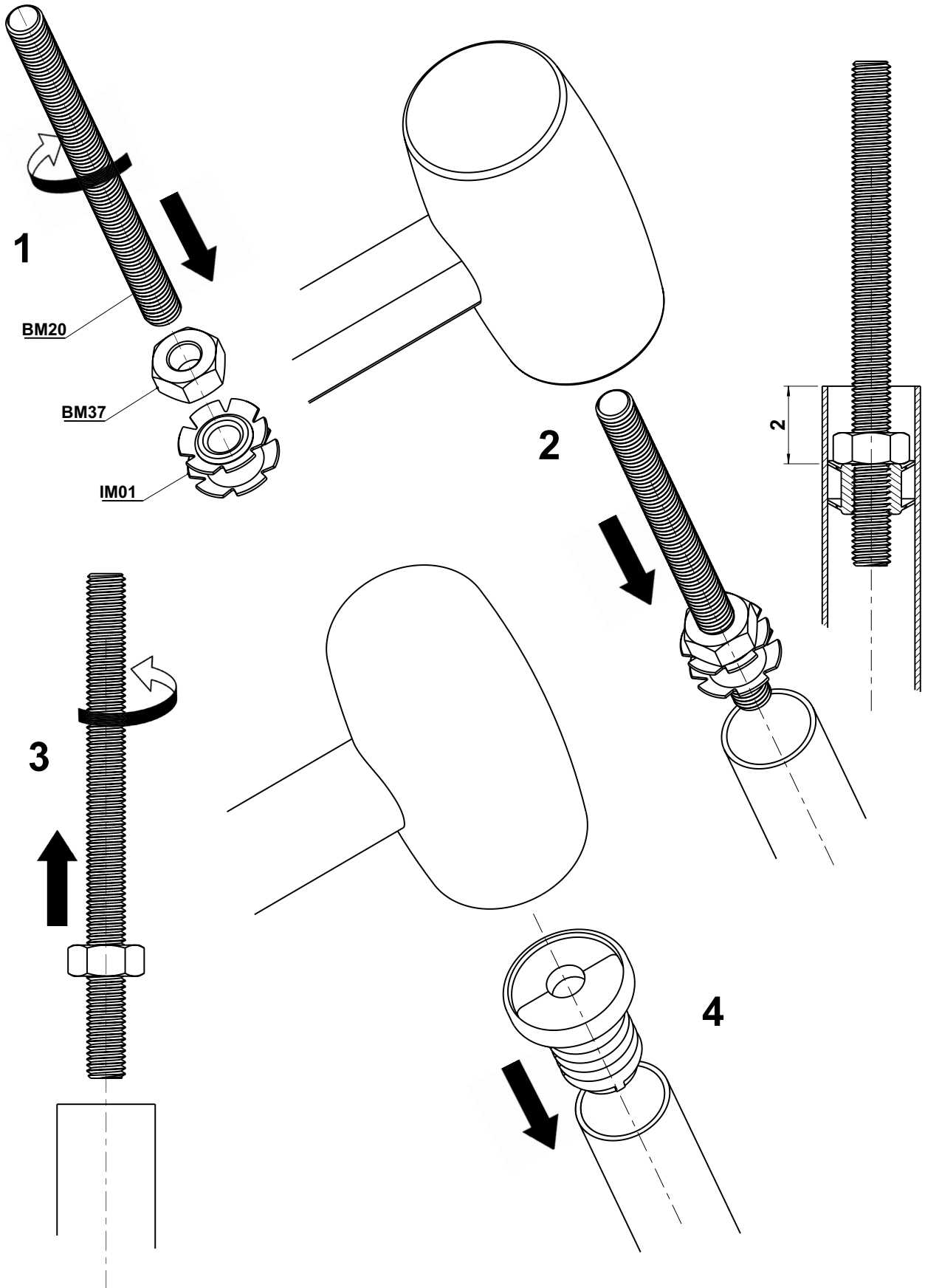
**1**

# **PRE ASSEMBLY**







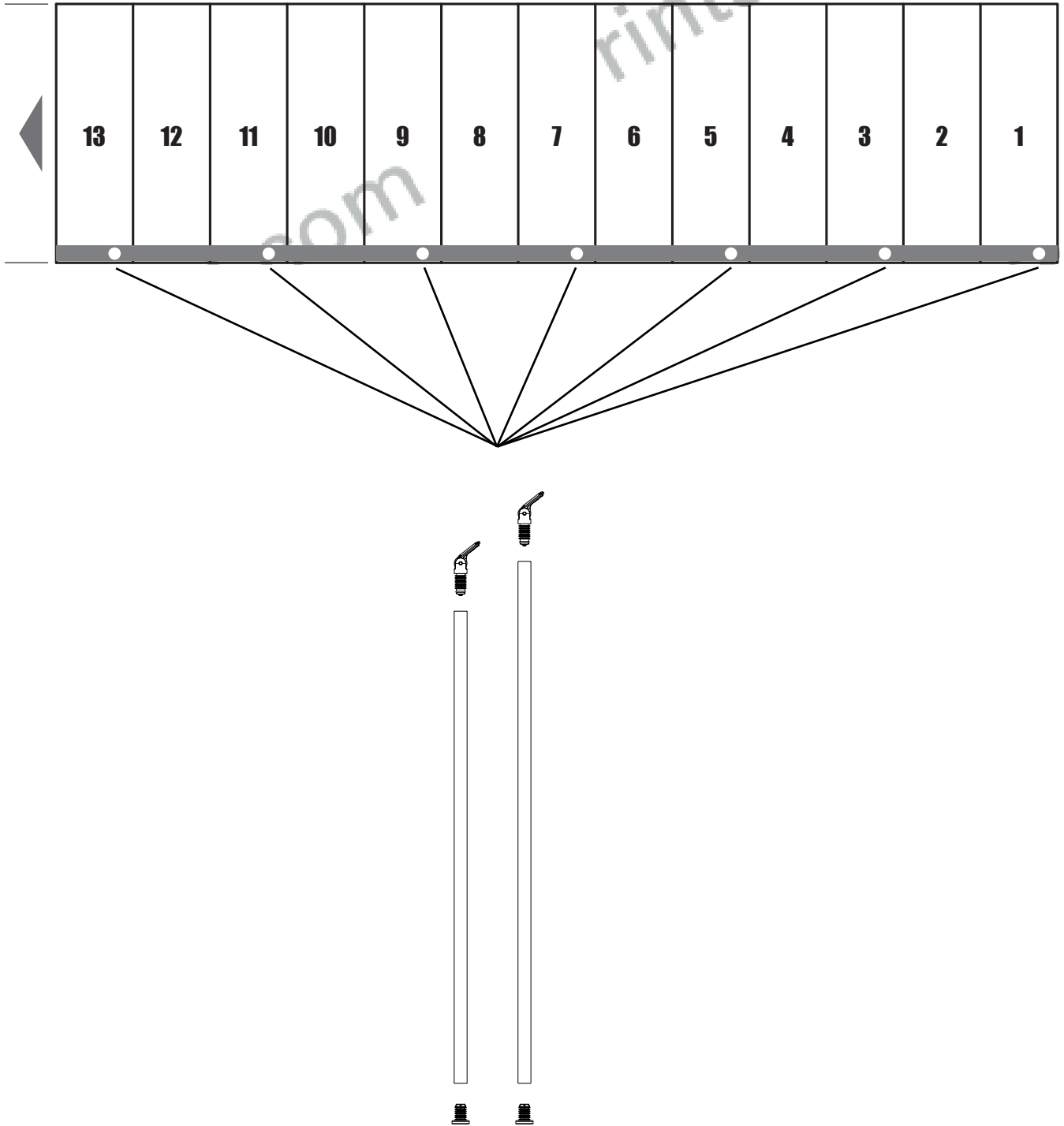


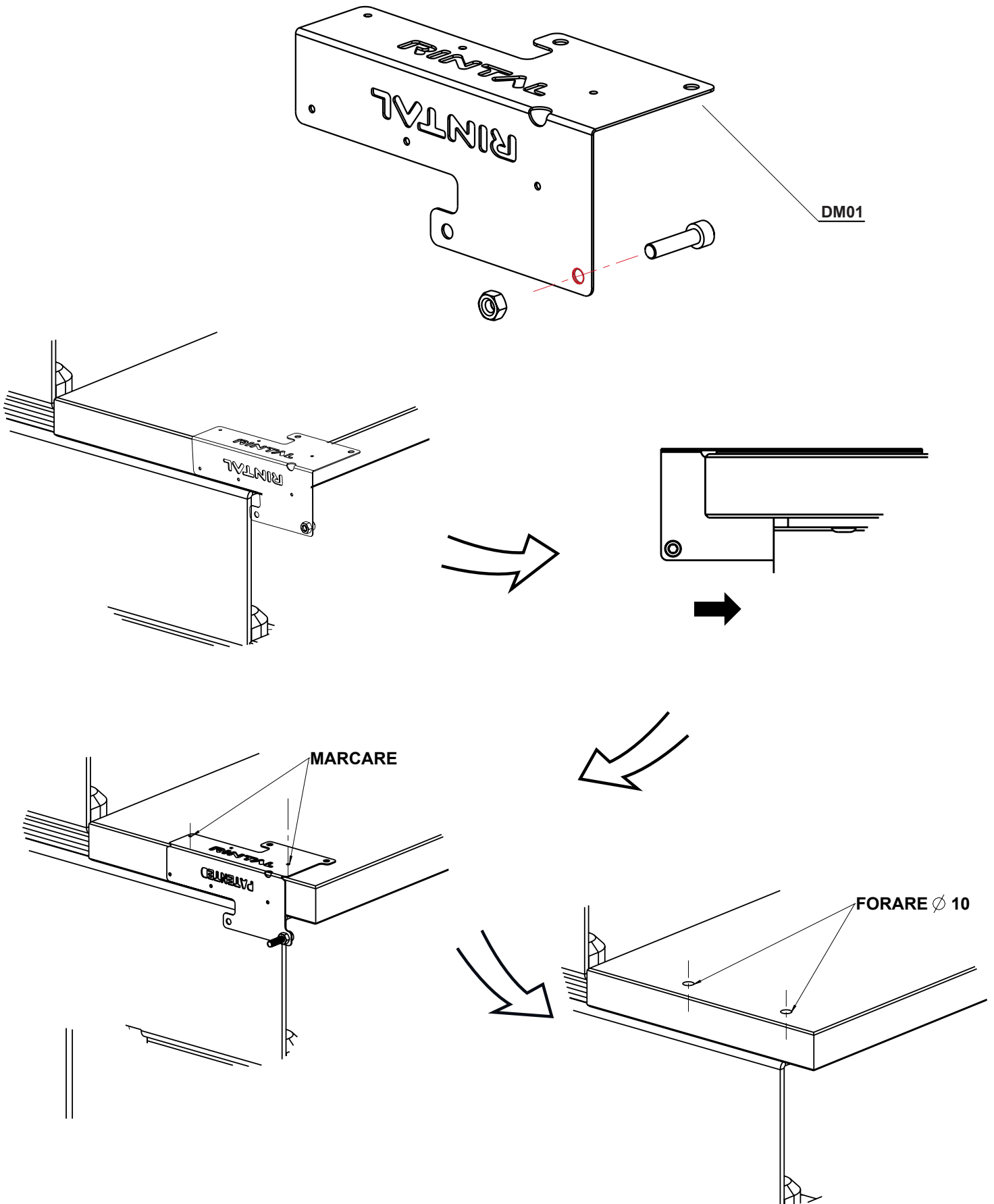


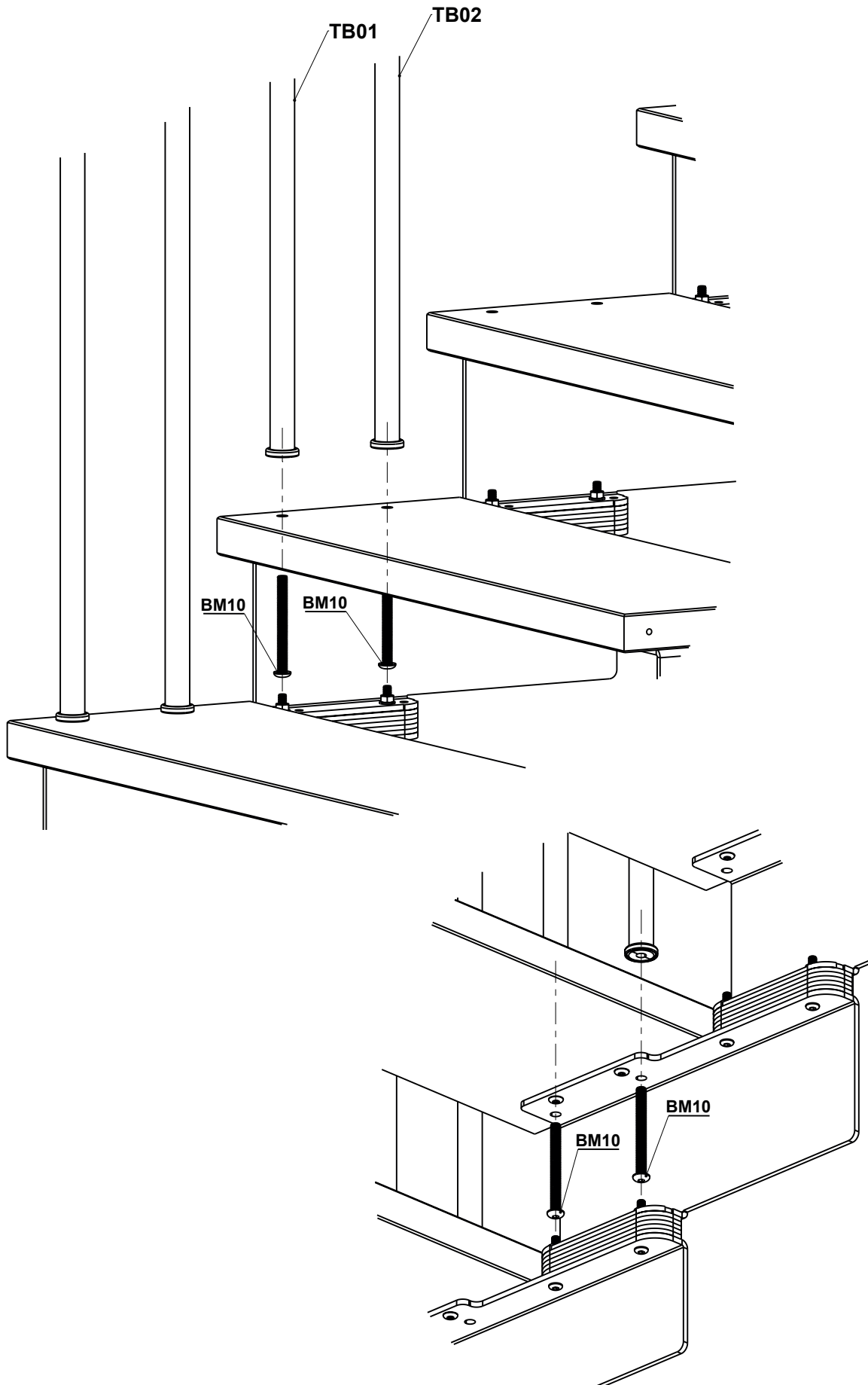
**2**

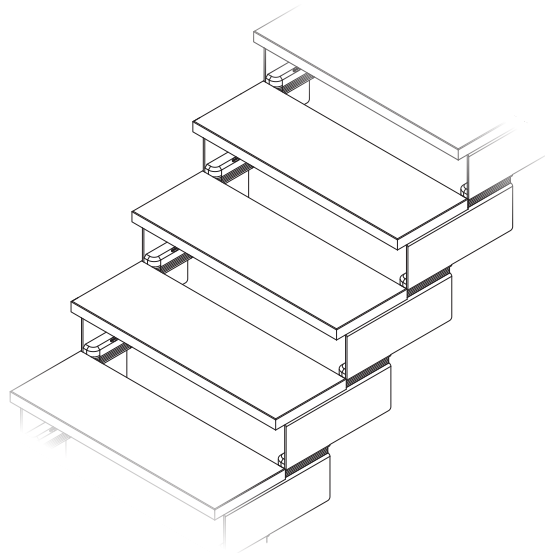
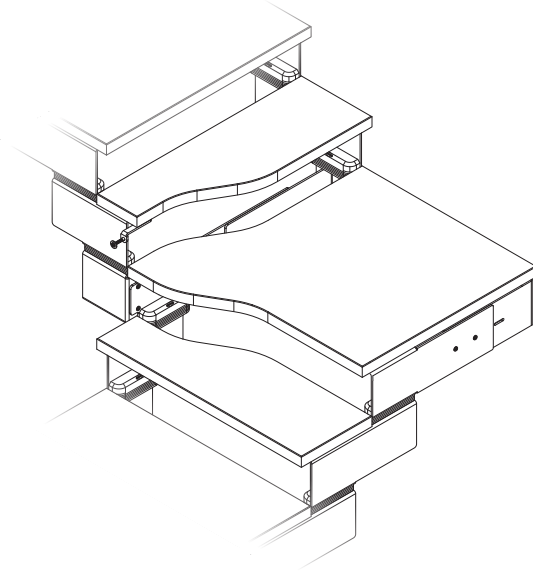
# **ASSEMBLY**

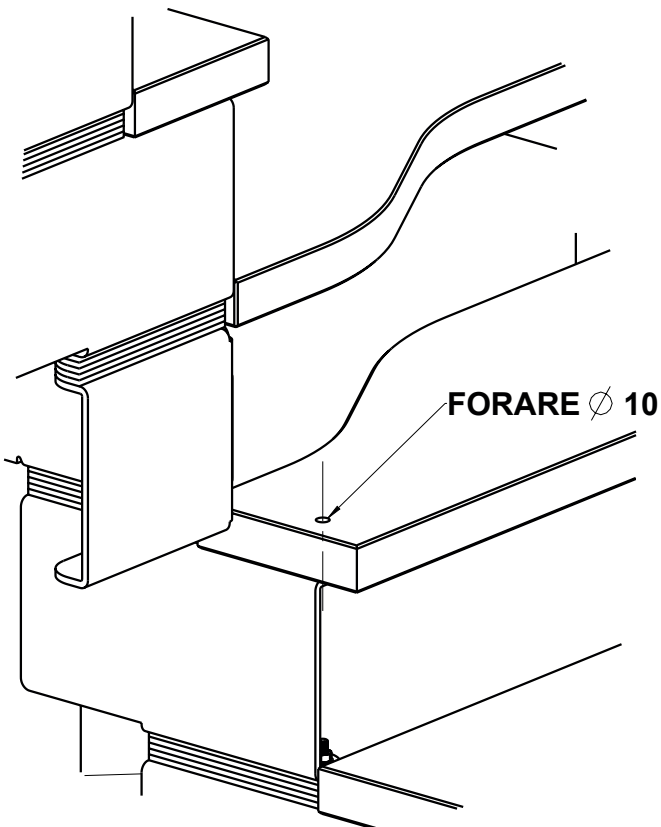
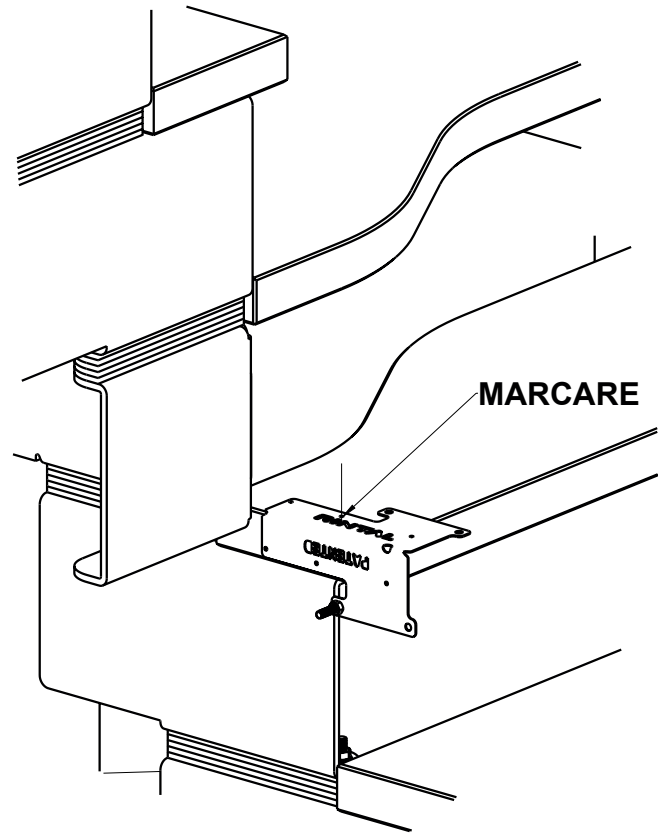
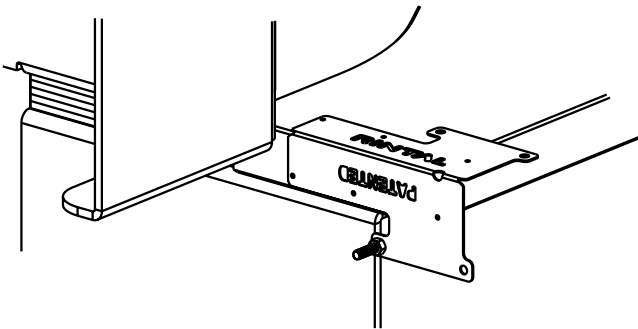
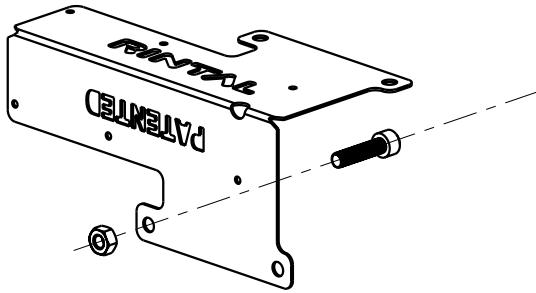


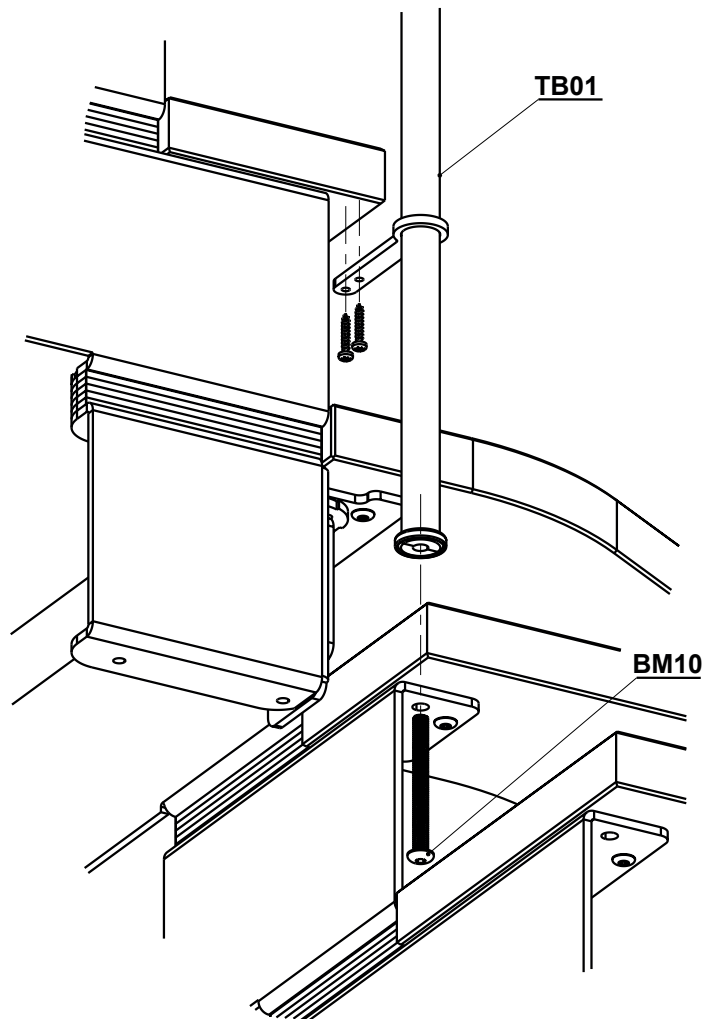
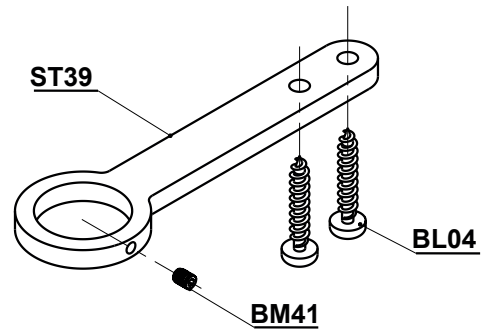
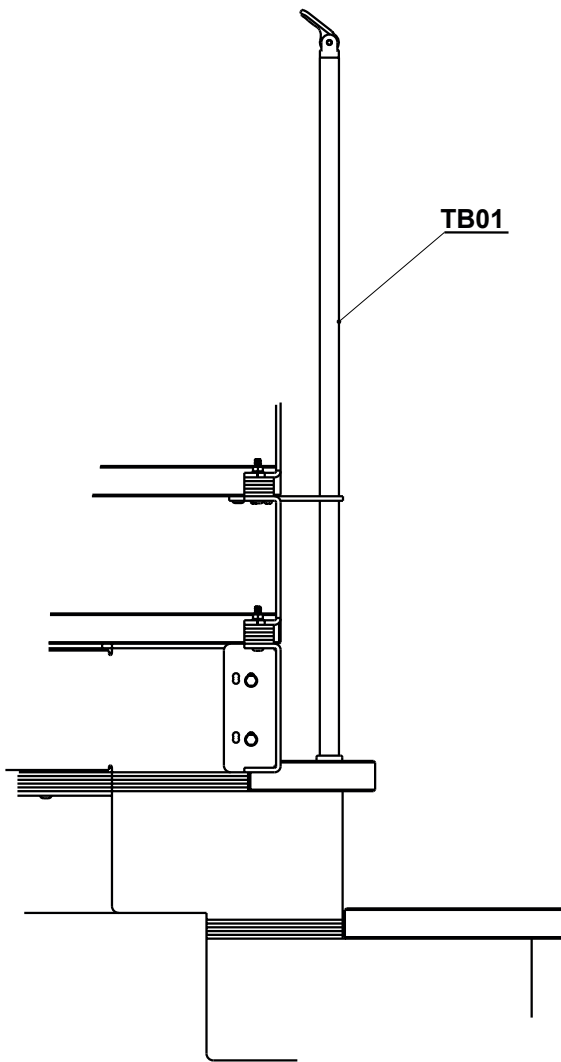


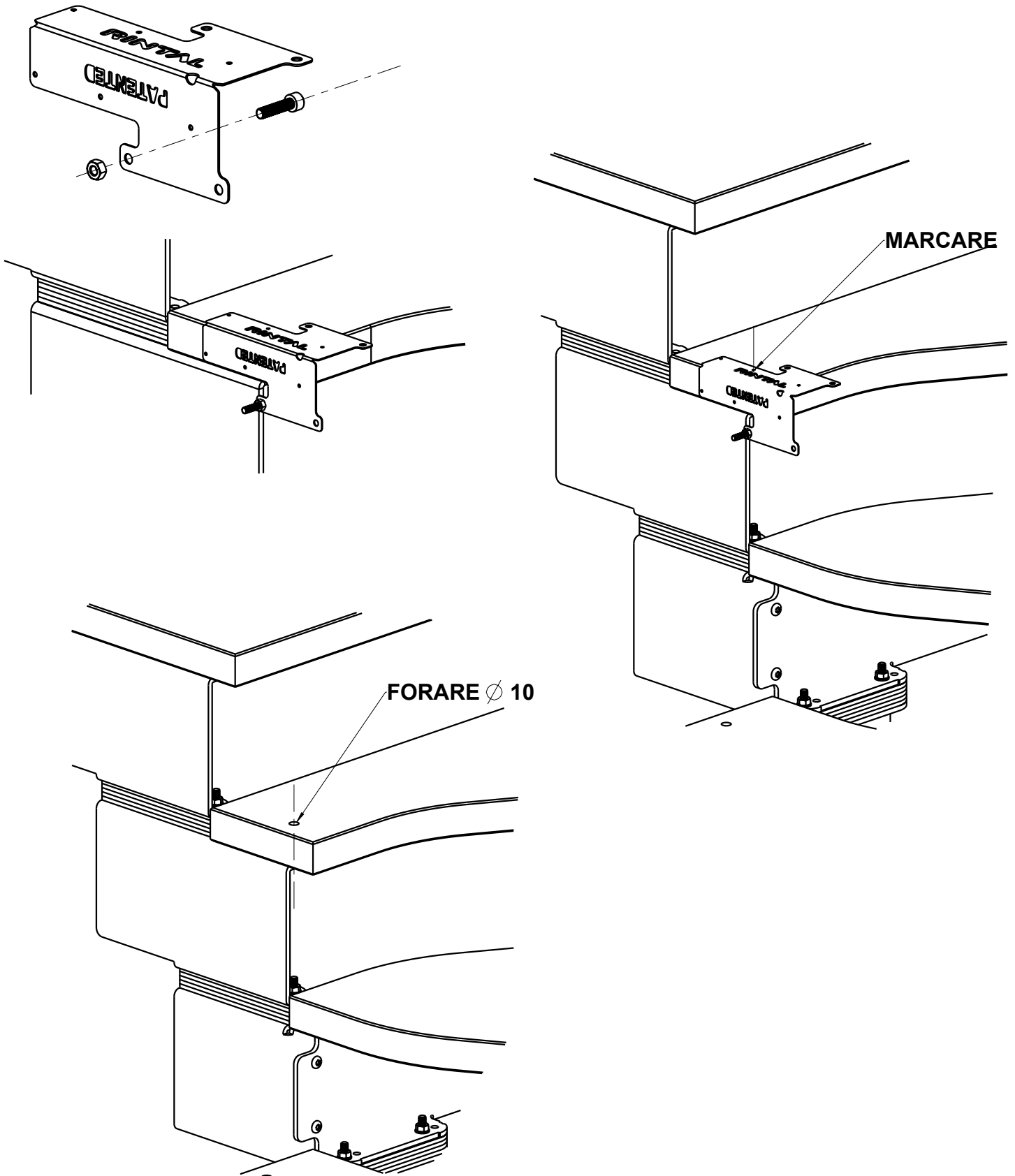




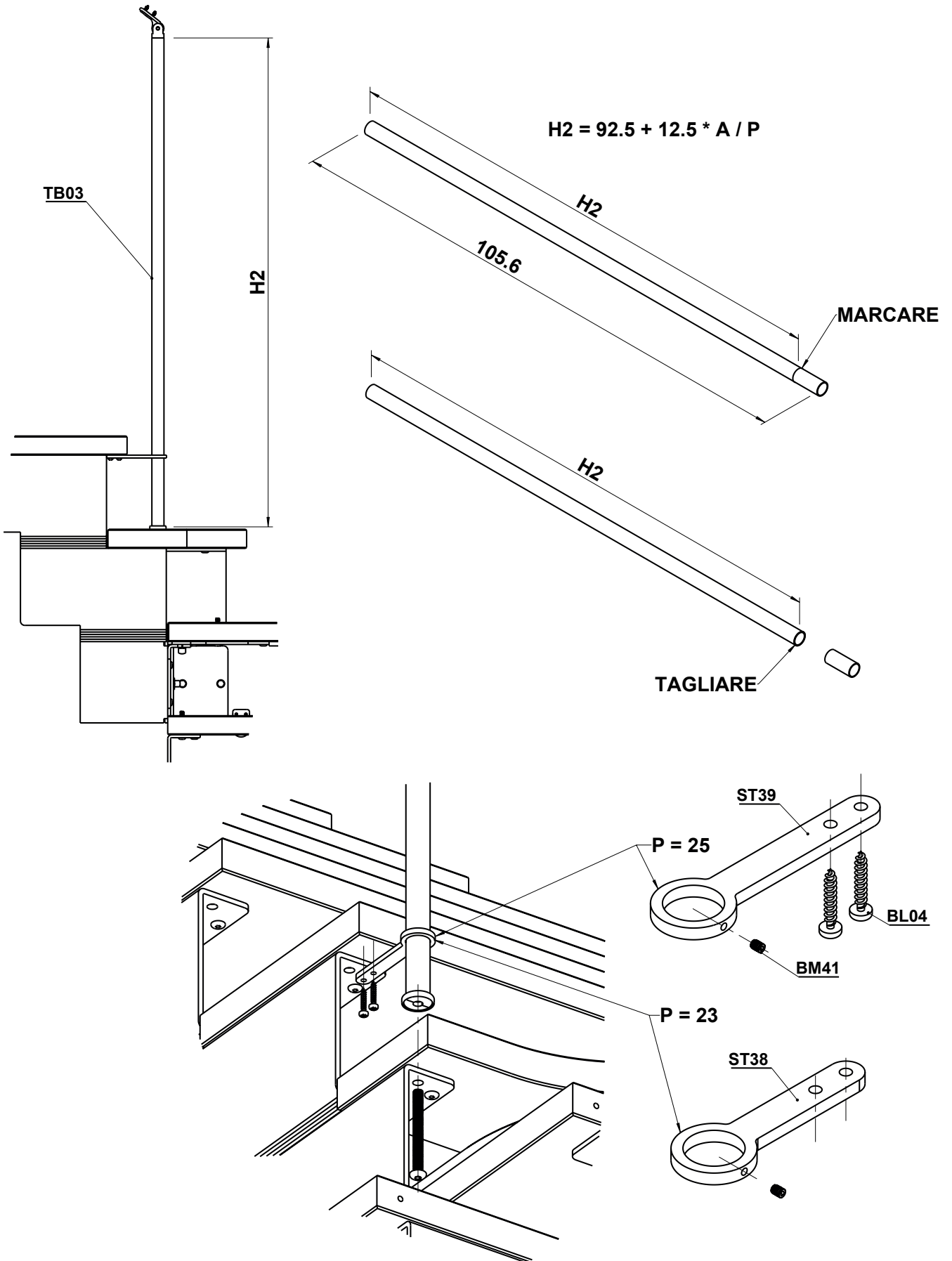


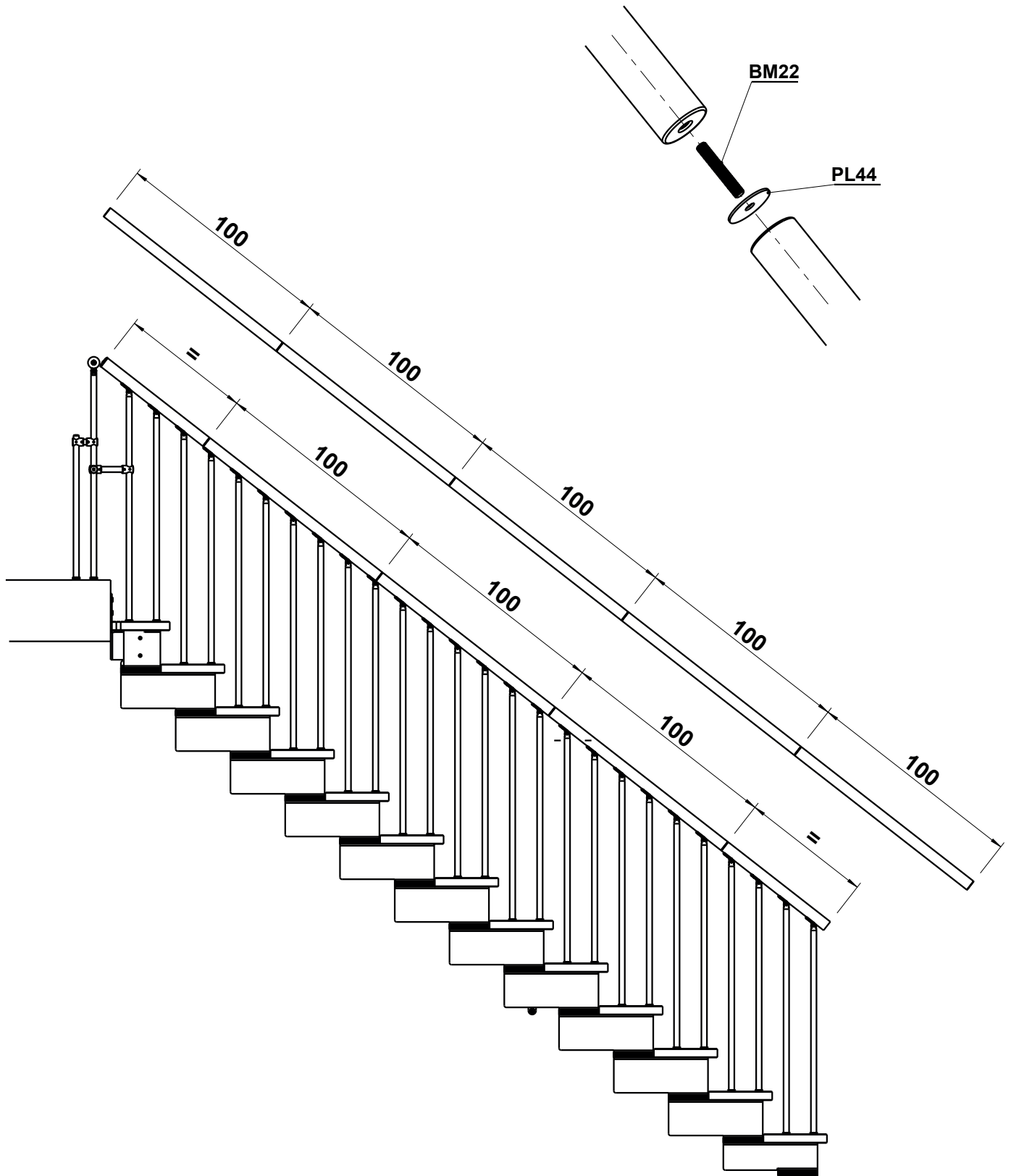


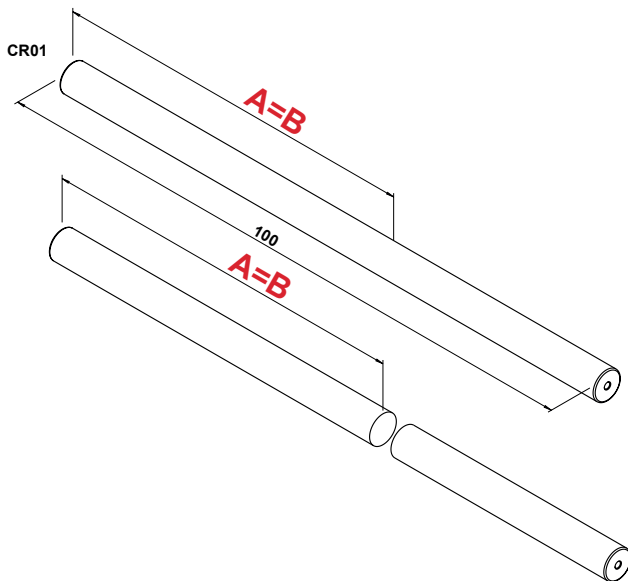
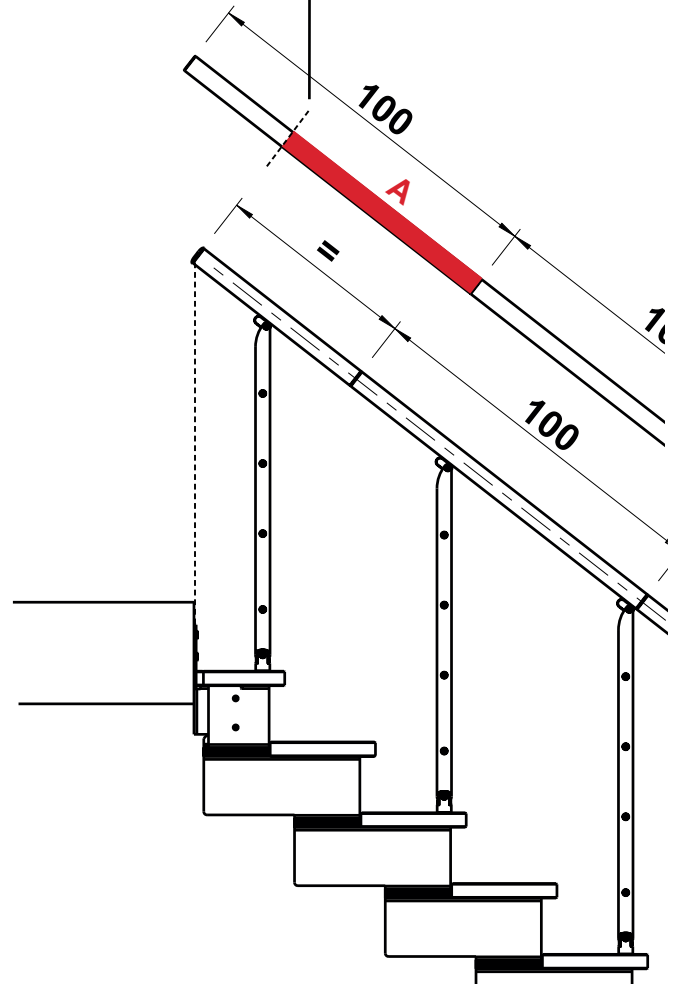
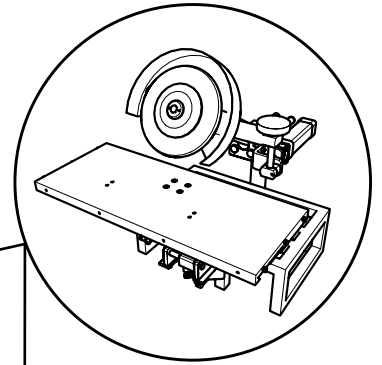
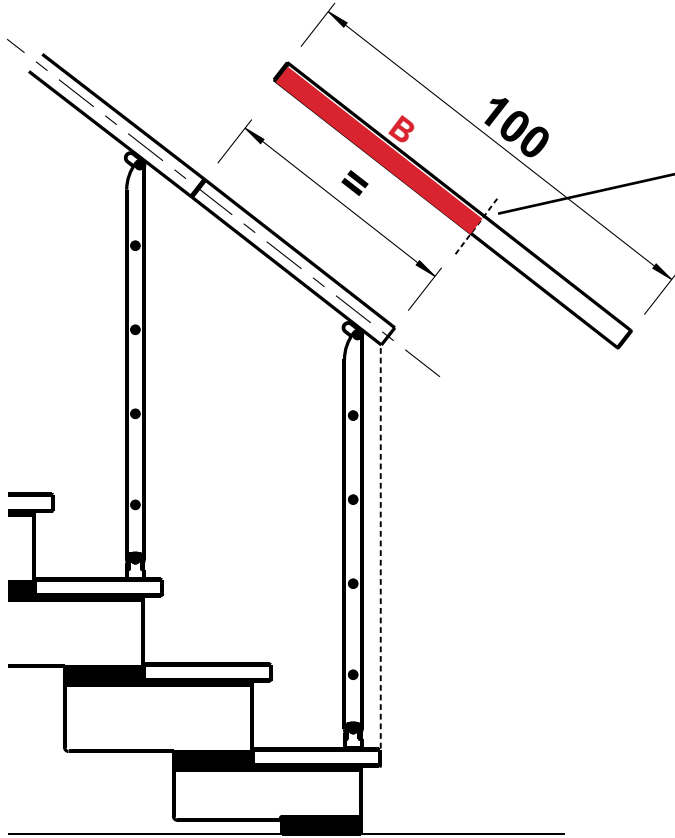


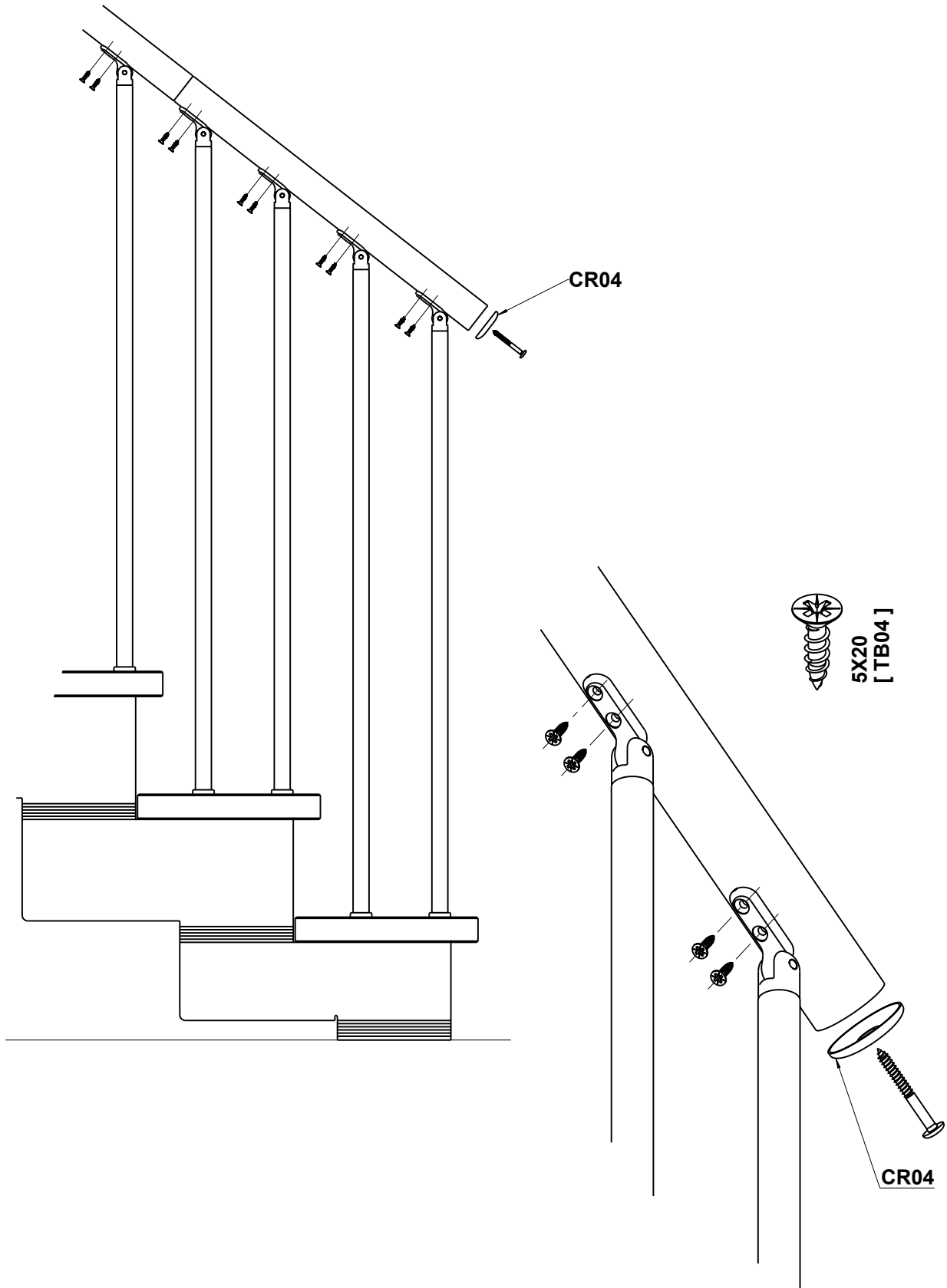












Composity Tube railing installation manual. <b>Configuration I-L</b>	Code <b>650609200</b>	Rev. <b>1</b>	Date <b>21-03-2017</b>
--	--------------------------	------------------	---------------------------



**Stairs Studio srl**

Via Giacomo Filippi, 7 47122 Forlì (FC)  
Italy +39 0543 791111 - +39 0543 722544  
[www.rintal.com](http://www.rintal.com) - [info@rintal.it](mailto:info@rintal.it)